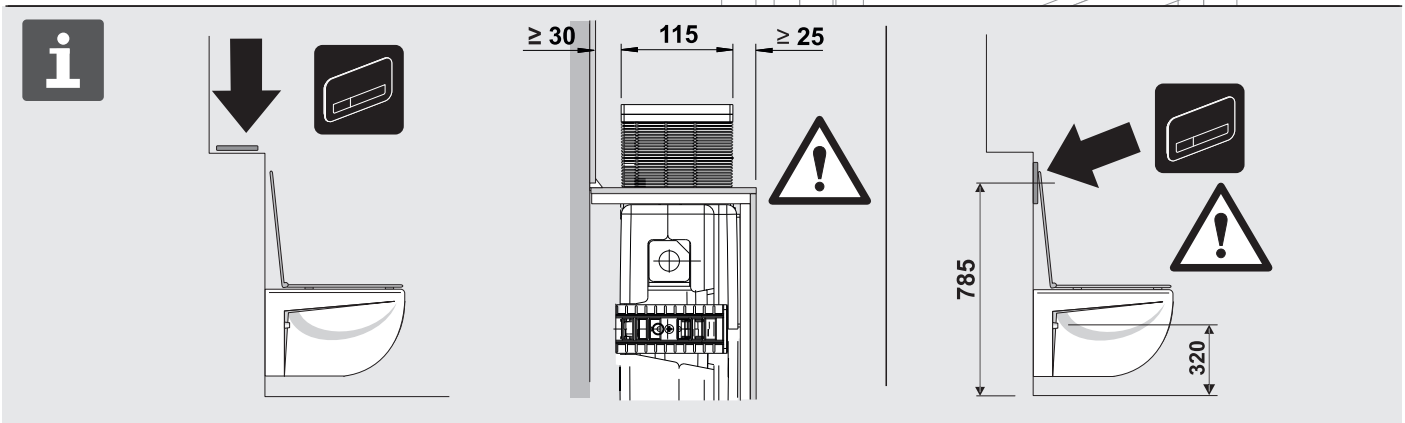
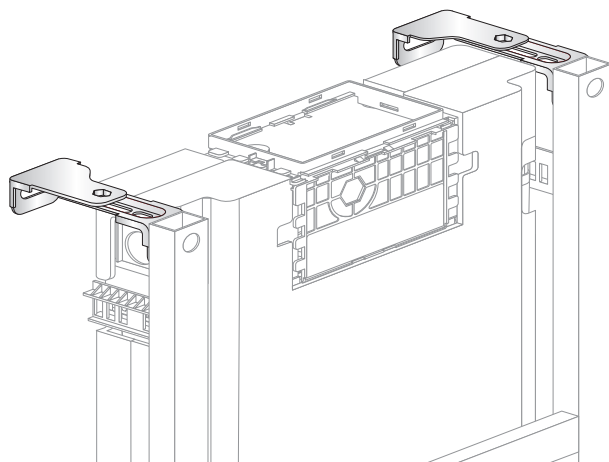
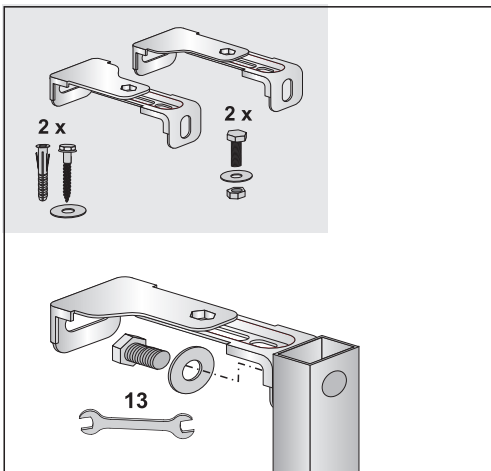
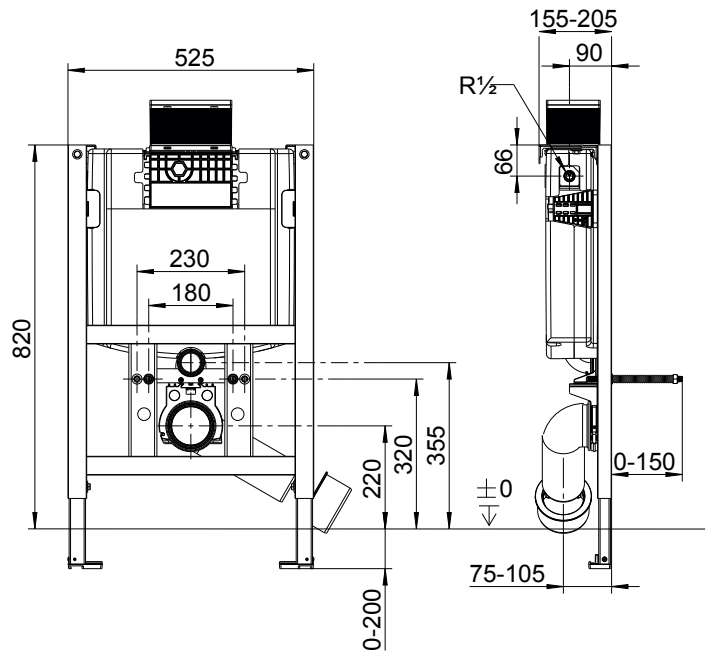
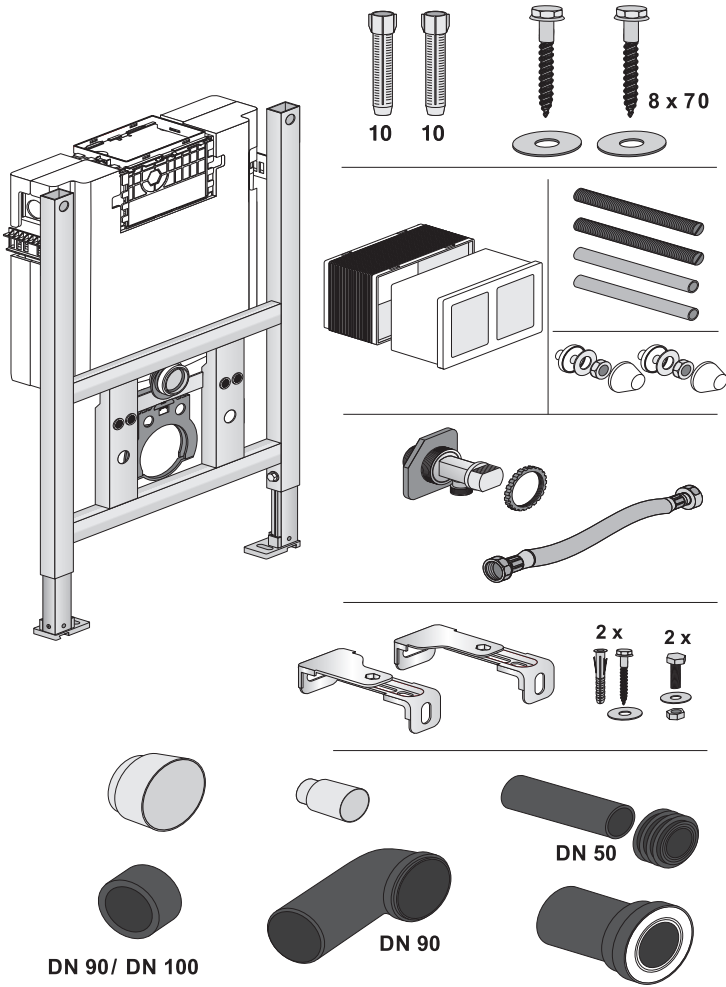
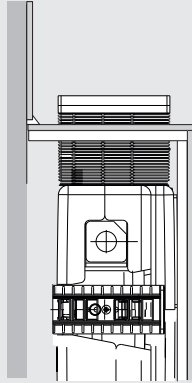
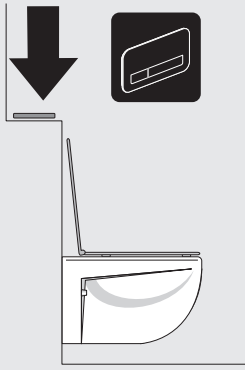


[mm]

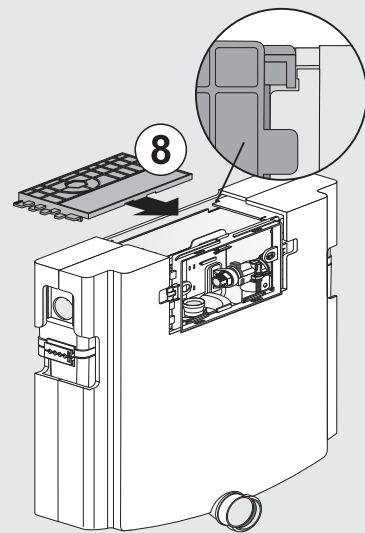
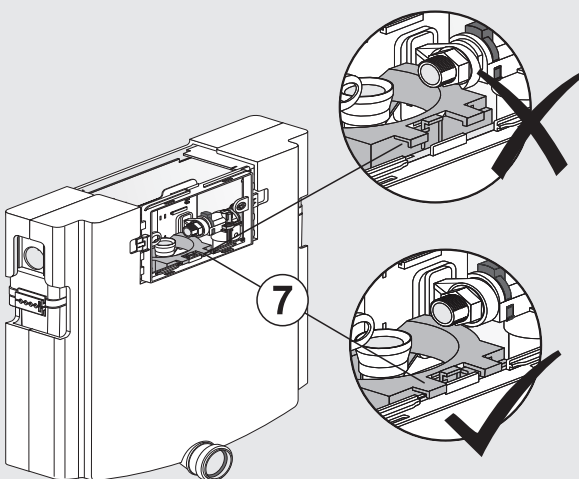
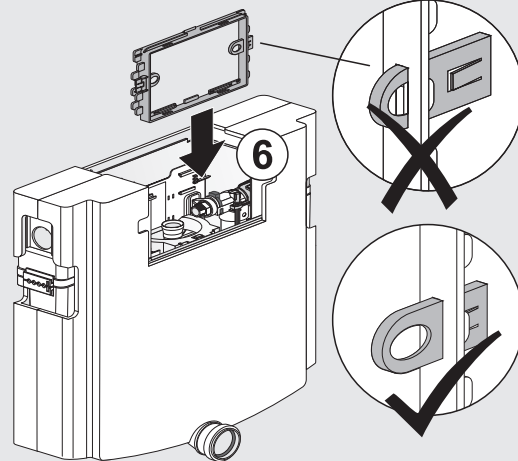
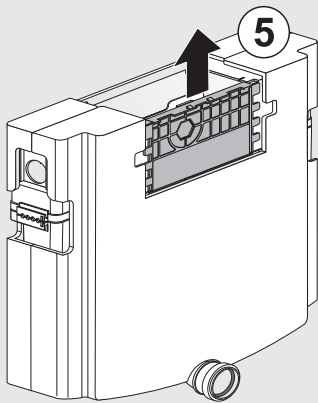
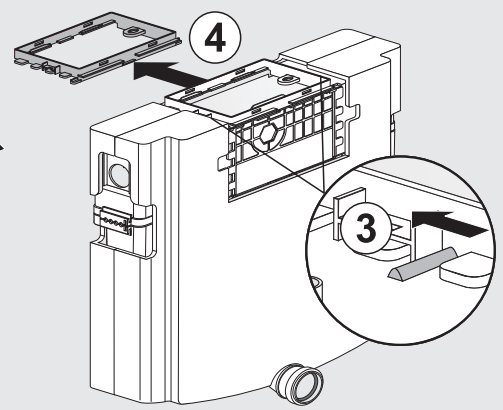
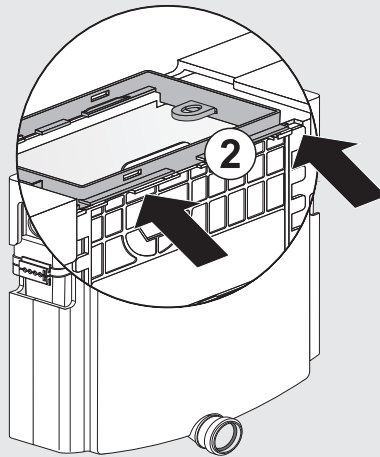
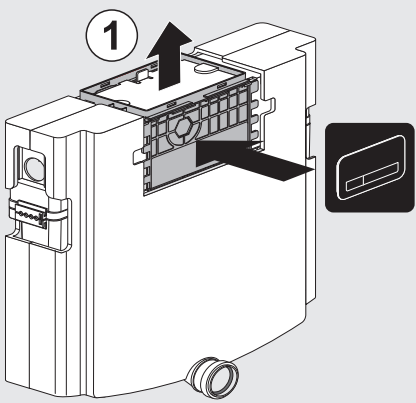


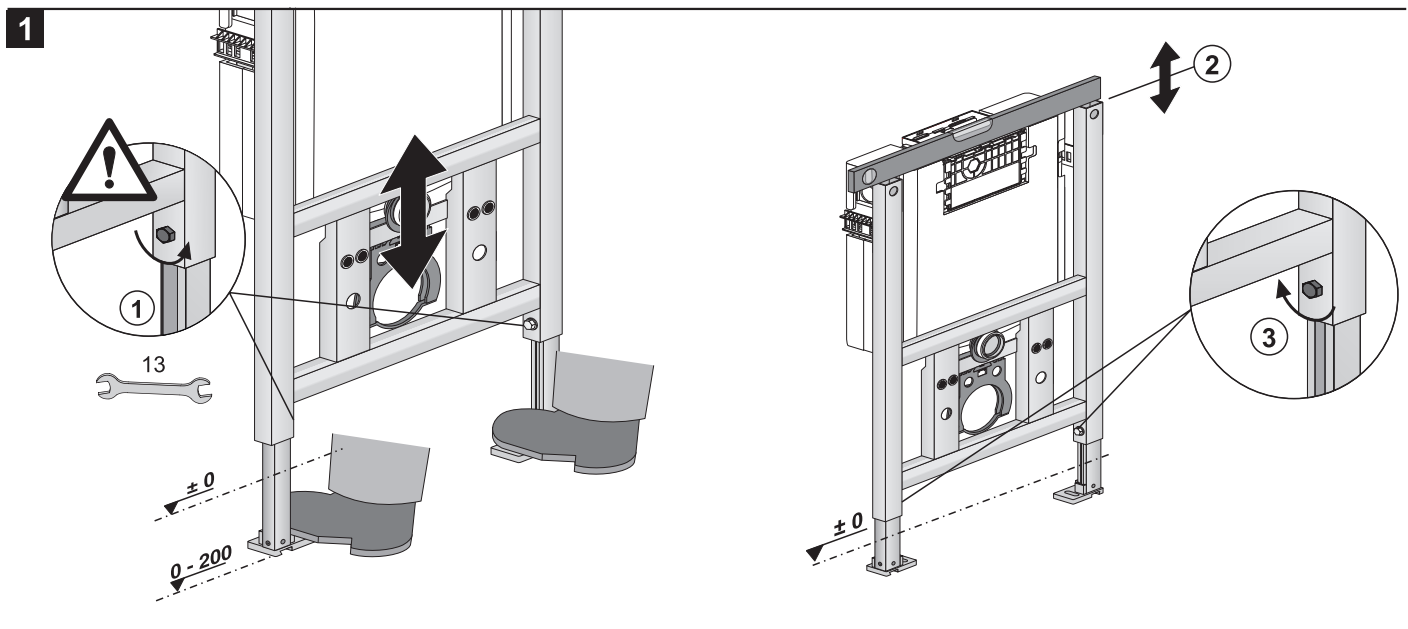
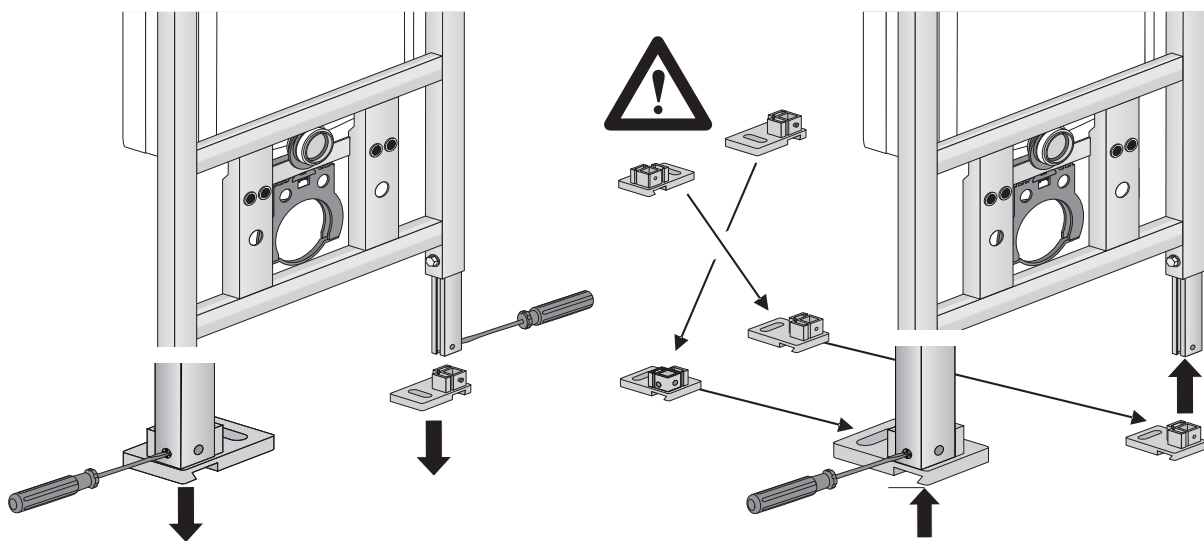
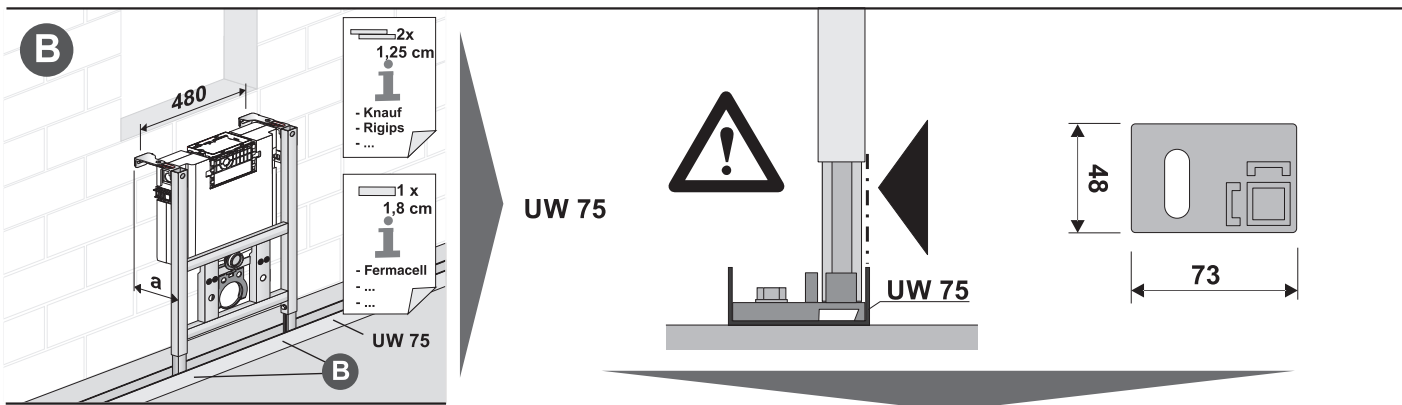
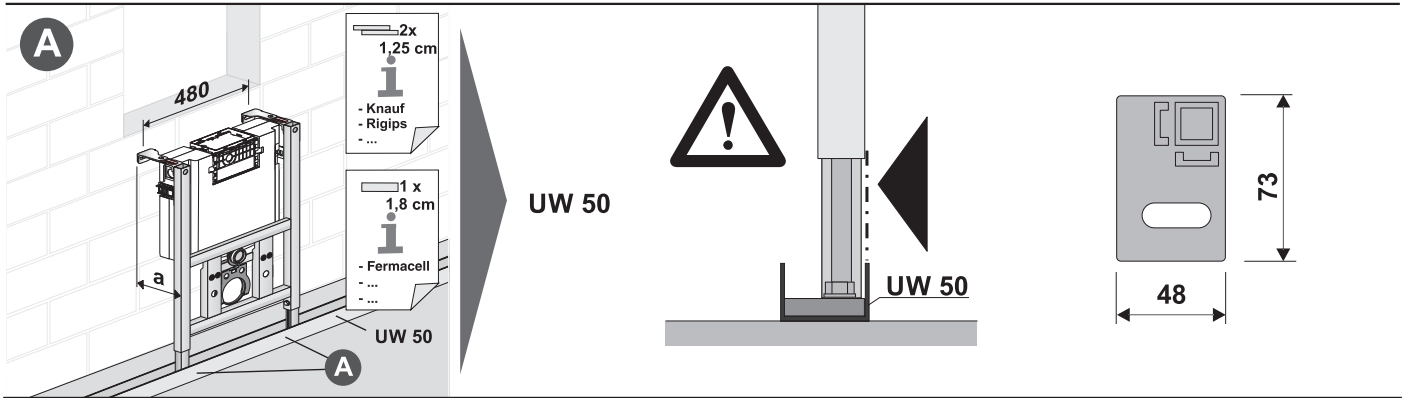


< 80 mm

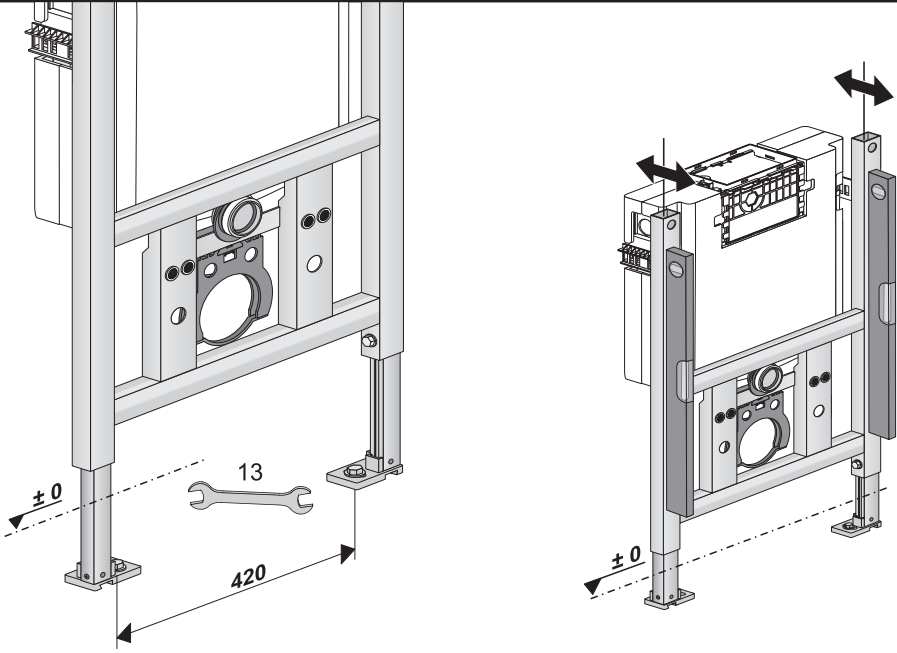
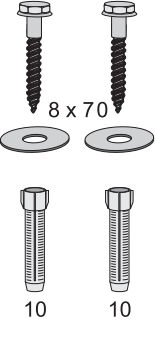


> 80 mm
+
Art. 05.018.00..0000

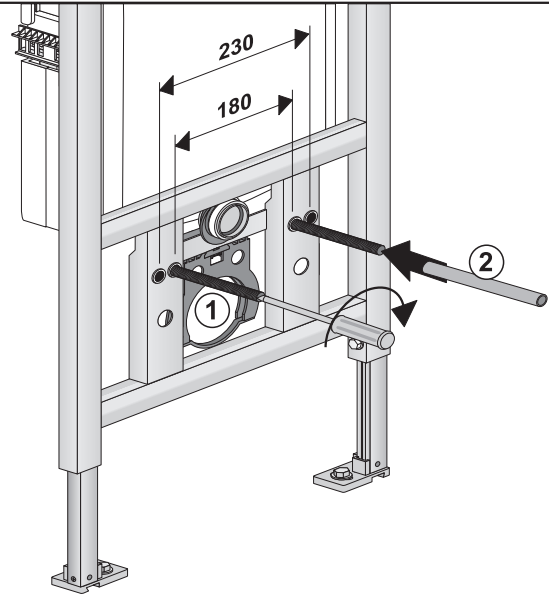




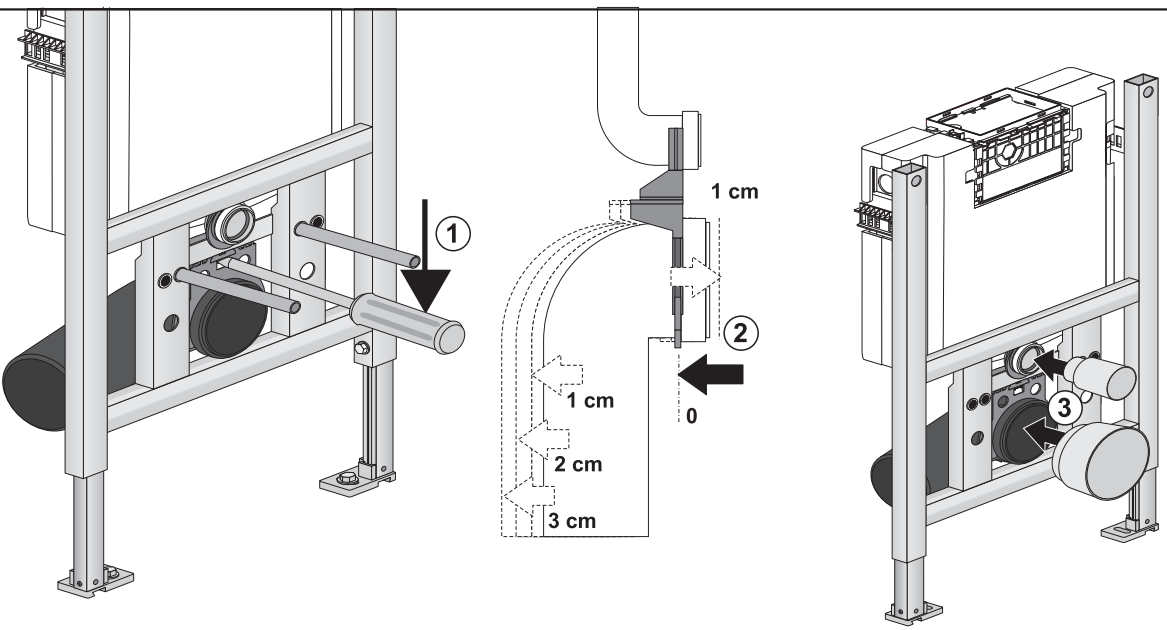
2

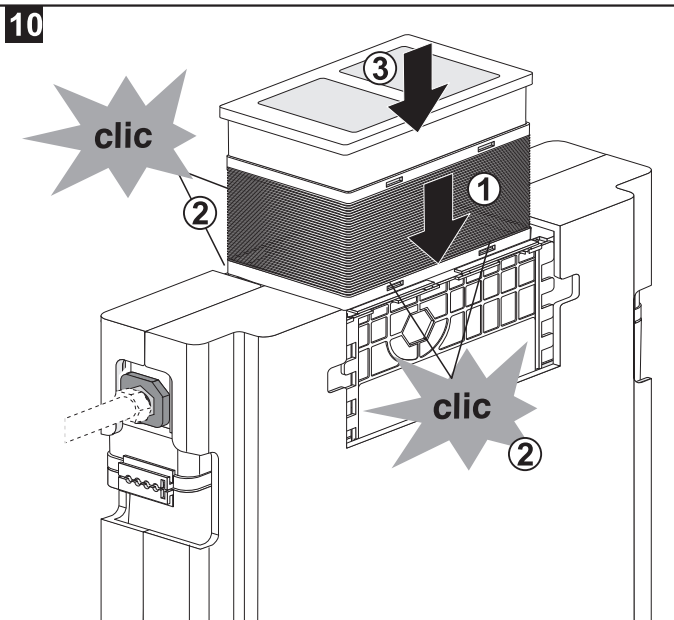
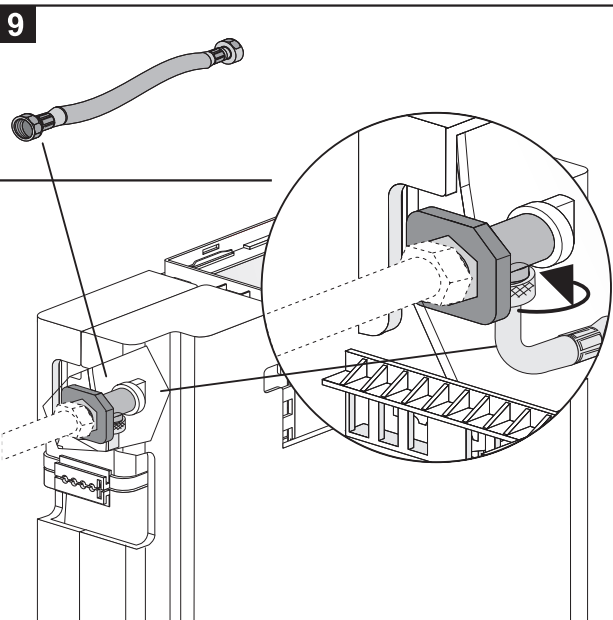
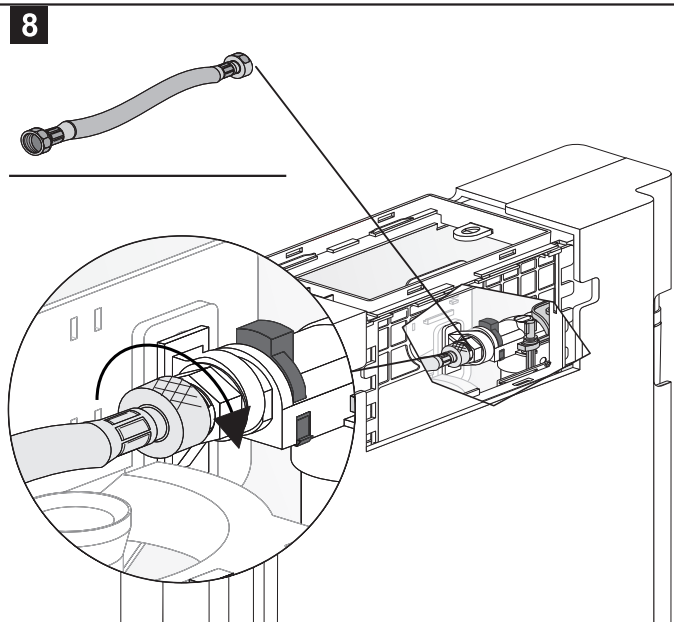
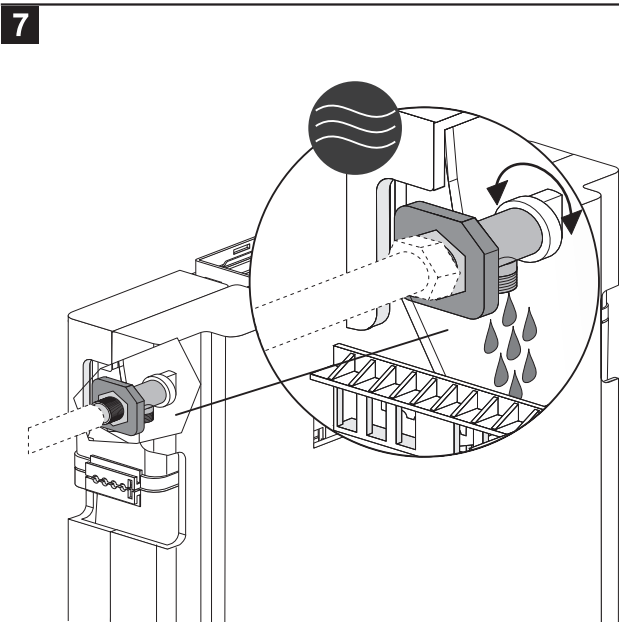
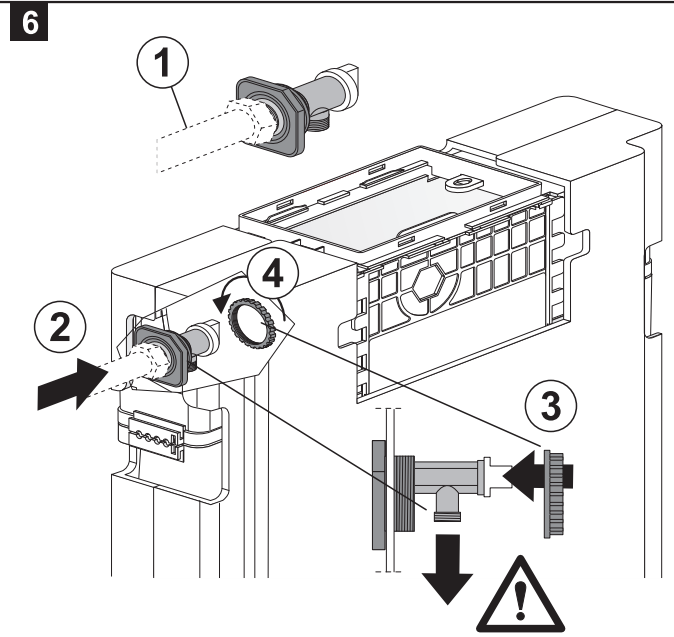
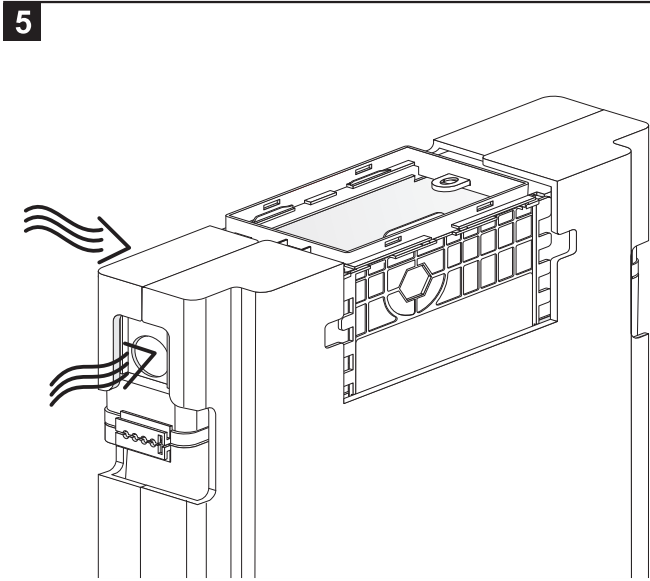


3

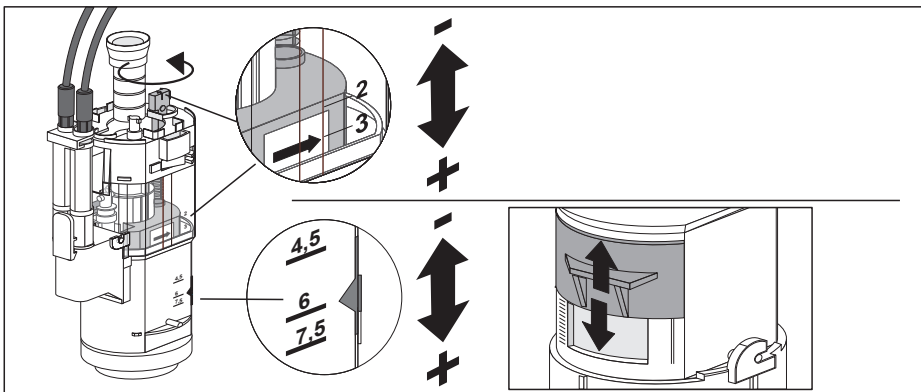
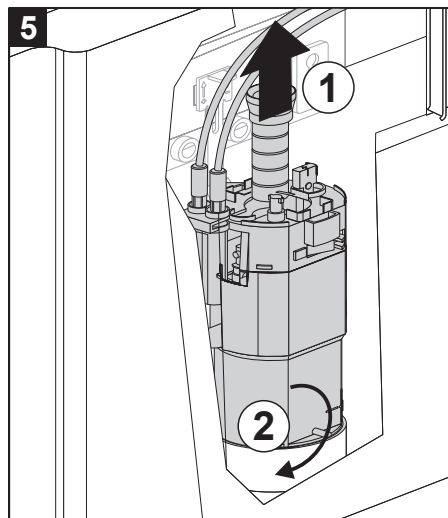
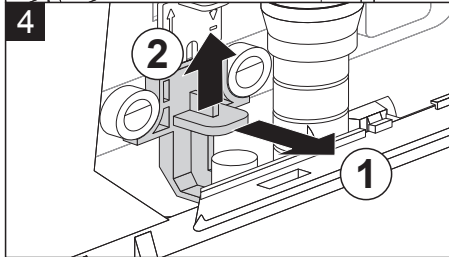
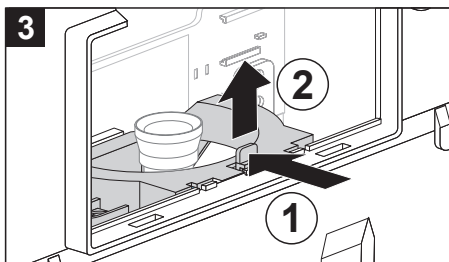
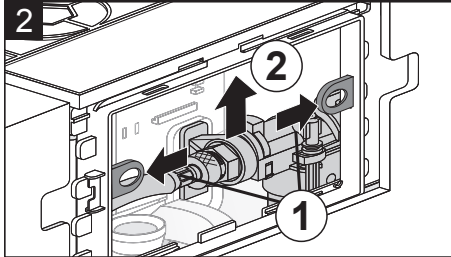
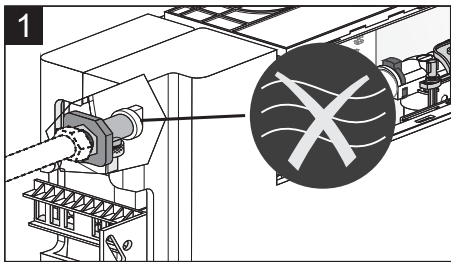


4

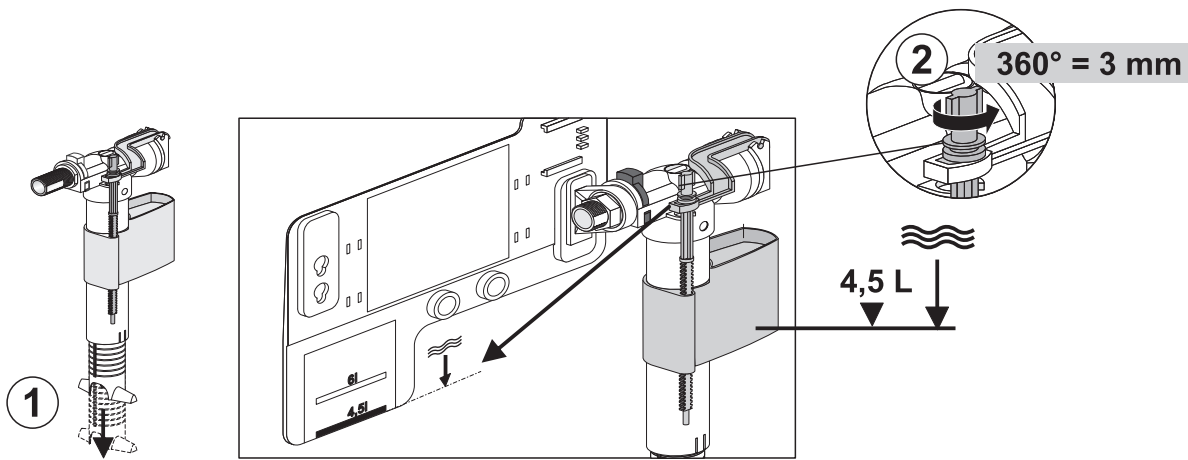




Service



| |
|---|
| CE |
| Villeroy & Boch AG Saarferstraße 1 D - 66693 Mettlach |
| 18 |
| DoP Nr. M244-01 CC 122-S-UO-2V-2C Personal hygiene |
| EN 14055-CL1-6-NLI-VR11 |



Rohbauset ViClean Art. 9218 51 00

| Model | Article No. | Region | Connection Set | Position |
|--------------|--------------|-----------------------|----------------|----------|
| ViClean-I100 | V0E 1 00 R 1 | E ME A | V990 84 00 | B |
| ViClean-L4 | V02E L4 01 | E ME A | 9219 80 00 | |
| ViClean-L3 | V02C L3 01 | APAC (excl. TW) | | |
| | V02T L3 01 | TW | | |
| ViClean-L6 | V02C L6 01 | APAC (excl. TW) | | |
| | V02T L6 01 | TW | | |
| ViClean-U+ | V01E U8 01 | E ME A (excl. UK) | 9221 15 00 | |
| | V01U U8 01 | UK | | |
| ViClean-U | V01E U7 01 | E ME A (excl. CH, UK) | 9219 81 00 | A |
| | V01H U7 01 | CH | | |
| | | V01U U7 01 | UK | |

