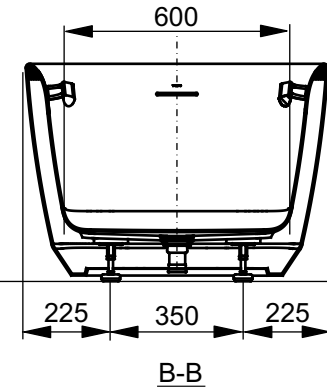


±0=OKFFB



Designation
BATHTUB
 Flotation tub, square, freestanding with grip PJY1724HPWE#MW

TOTO

Altered		Scale	1:20
		Signed	T.G.
	Date	04/02/2019	

This drawing including the respective data may neither be duplicated nor modified nor altered without the consent of TOTO Europe GmbH. The usage of the data/technical drawings takes place at user's own risk and under exclusion of any liability of TOTO Europe GmbH and/or of the companies of the TOTO-Group. The indicated dimensions are not binding; products are subject to change.