

DE Montageanleitung

FR Instructions d'installation

CS Návod k instalaci

EN Mounting instruction

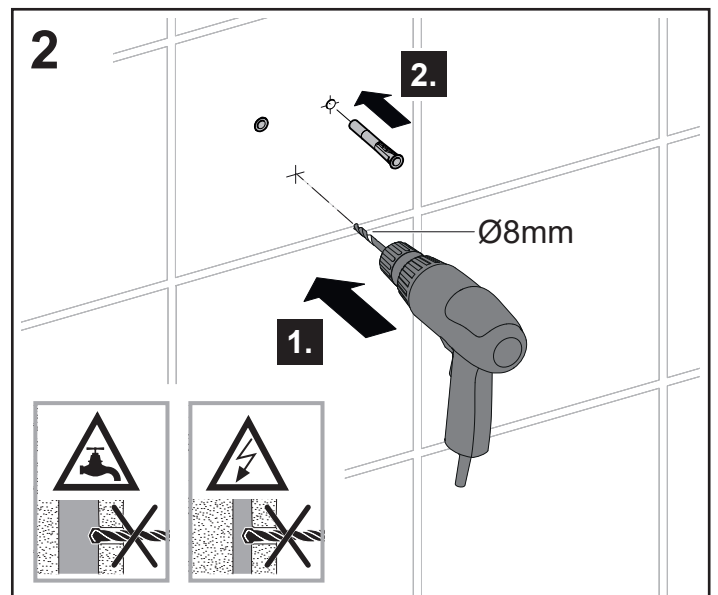
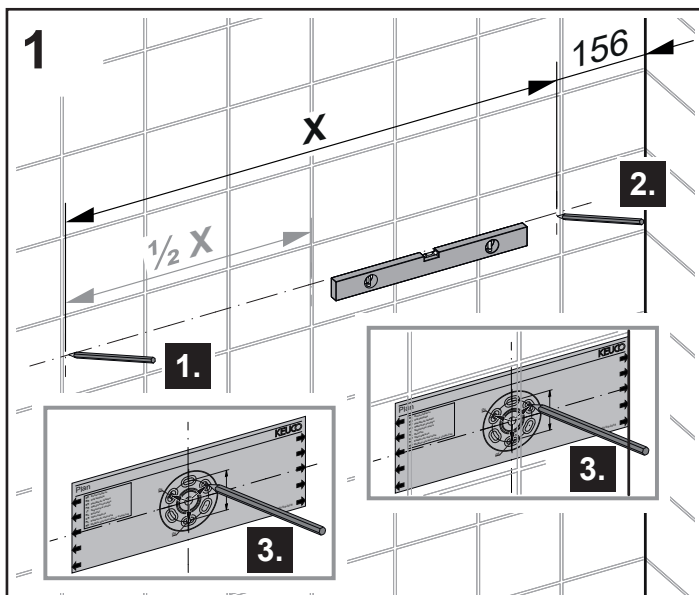
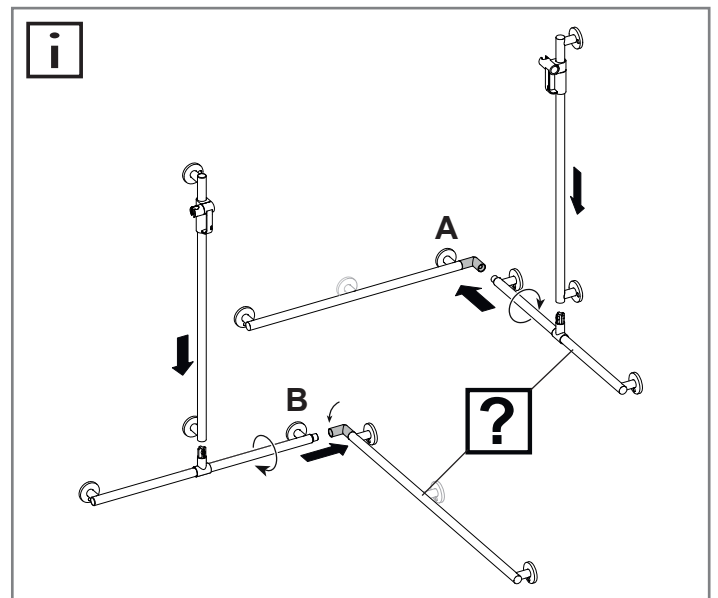
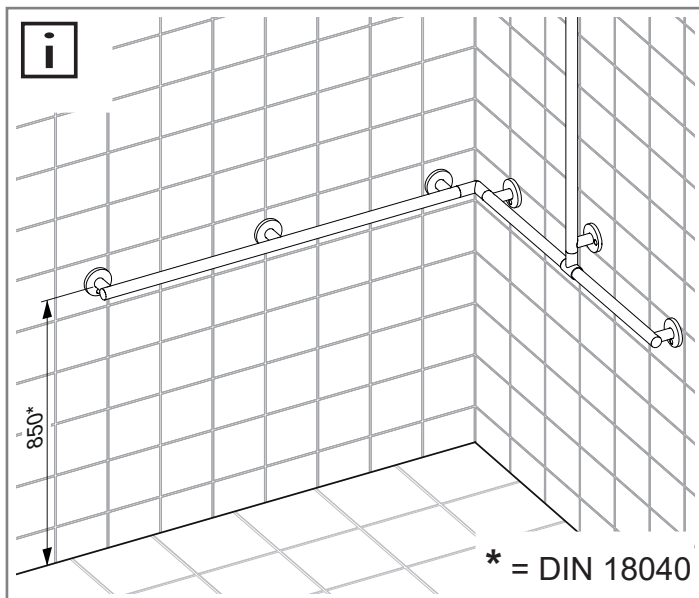
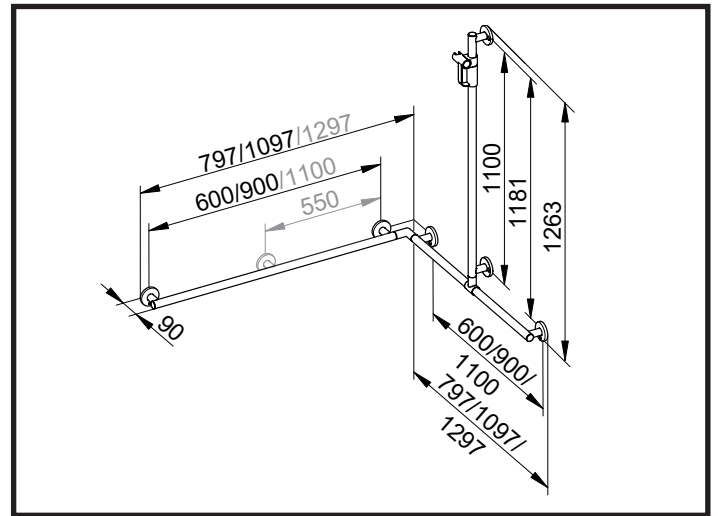
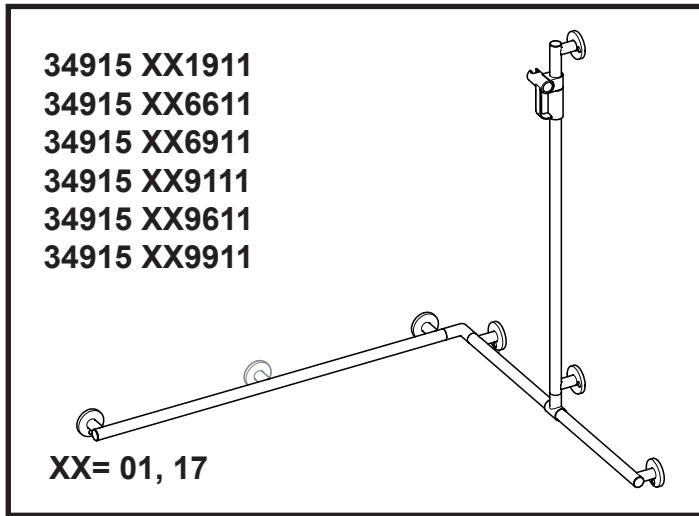
IT Istruzioni per l'installazione

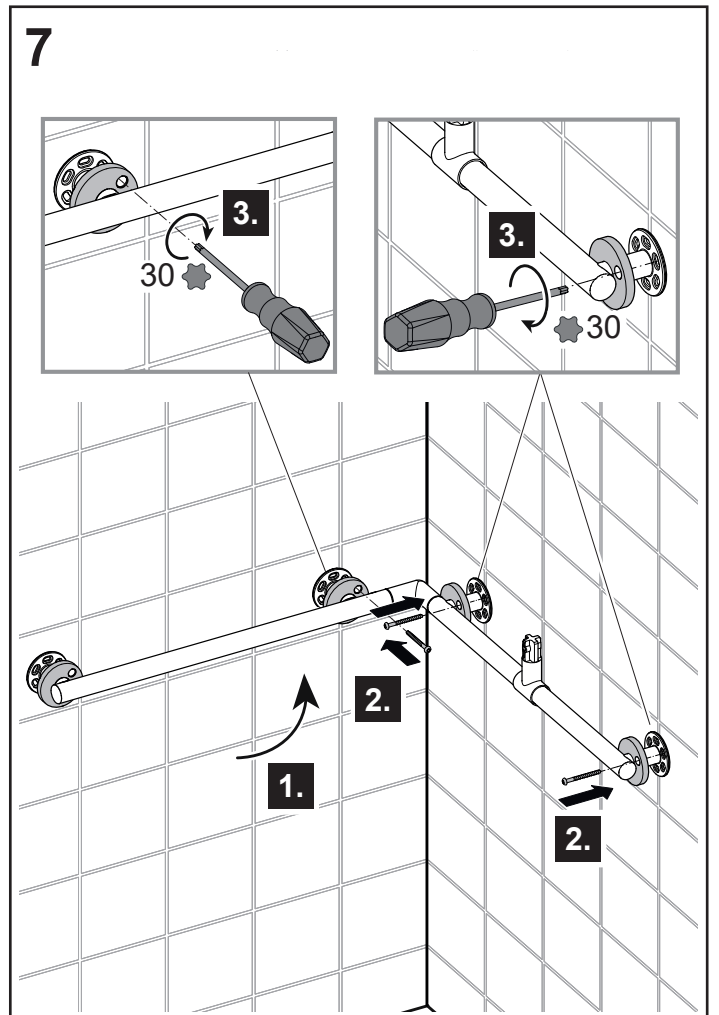
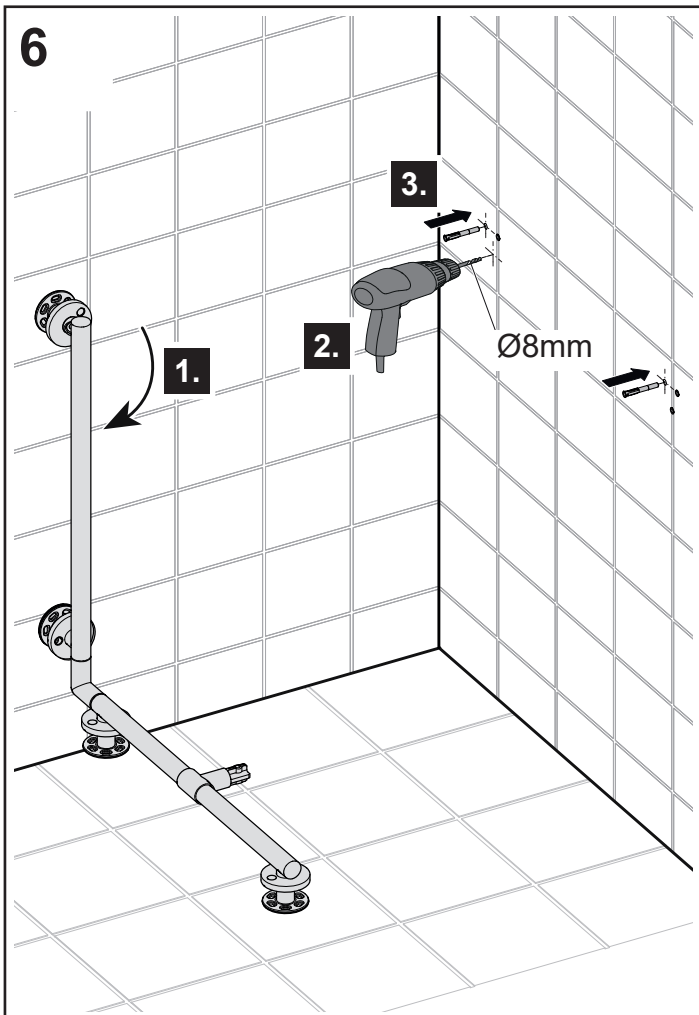
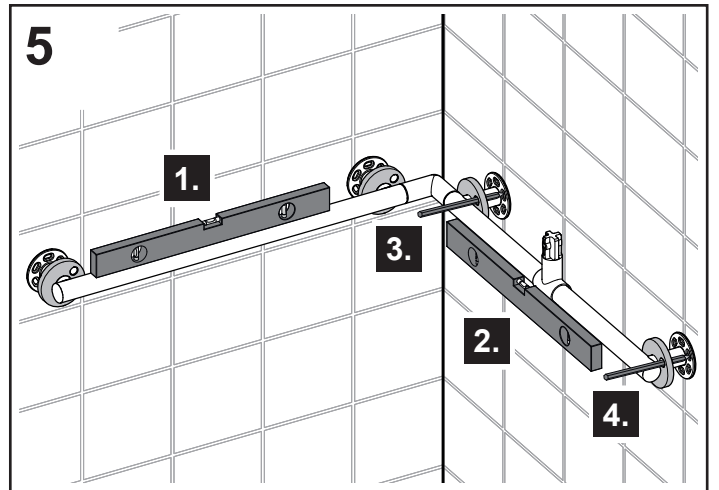
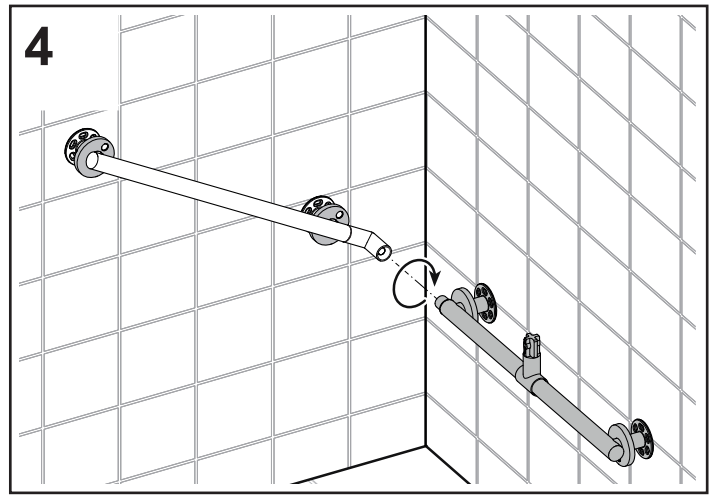
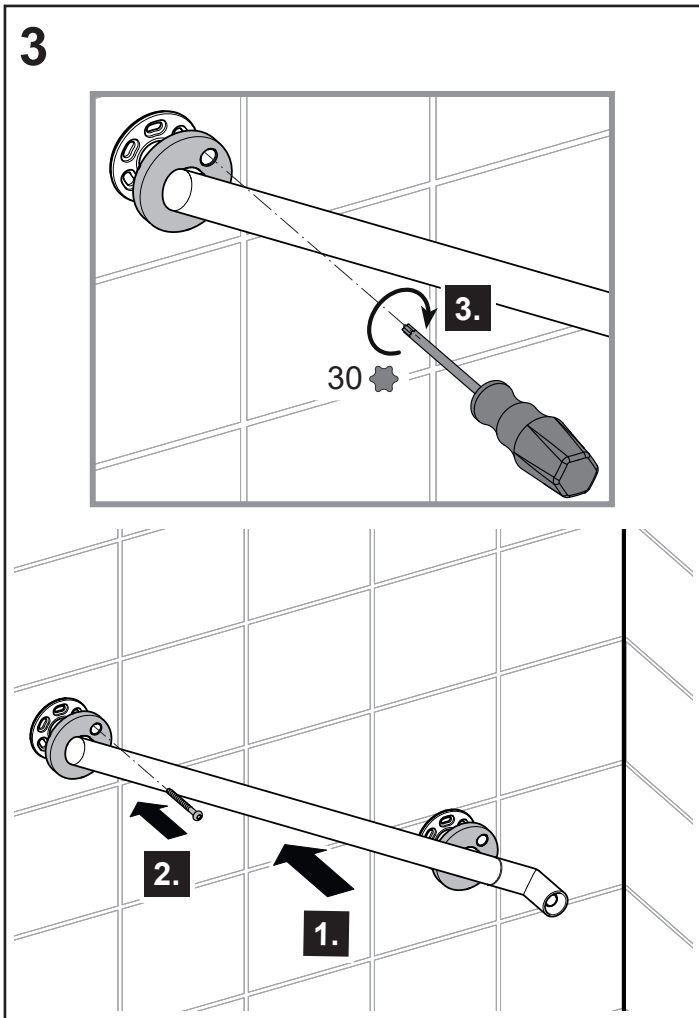
PL Instrukcja montażu

ES Instrucciones de instalación

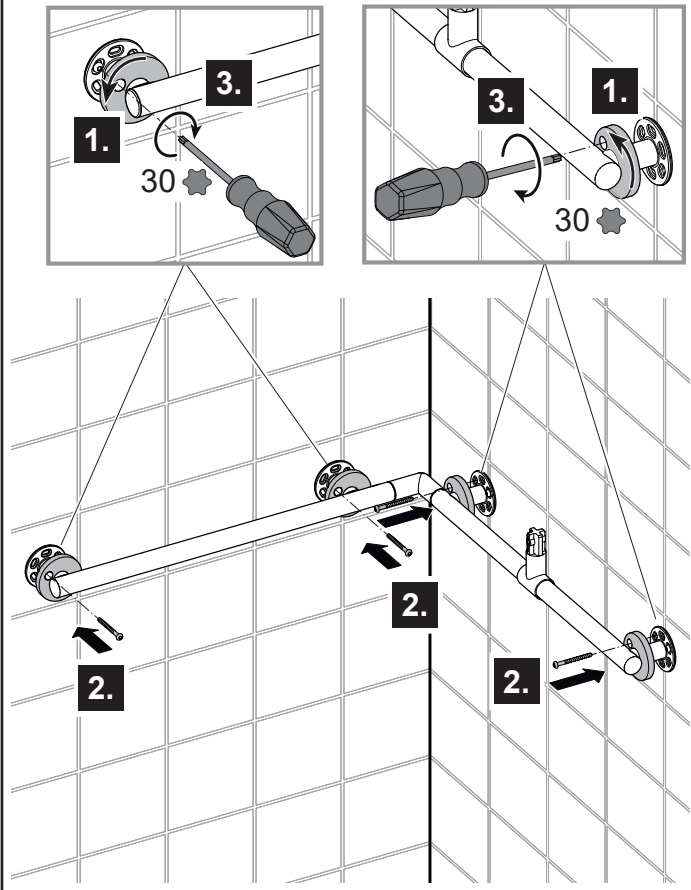
NL Montagehandleiding

RU Инструкция по монтажу

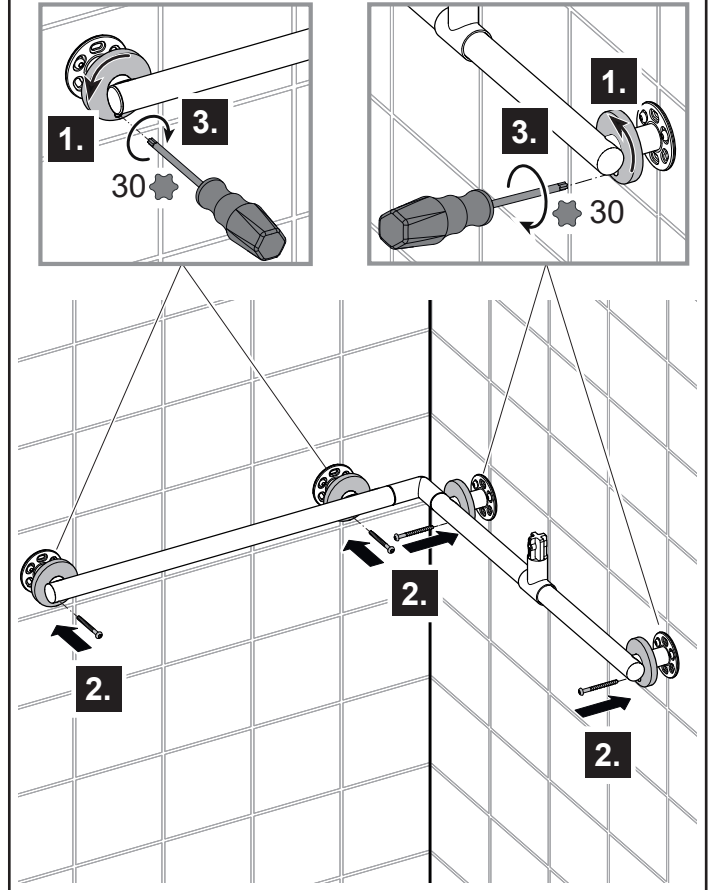




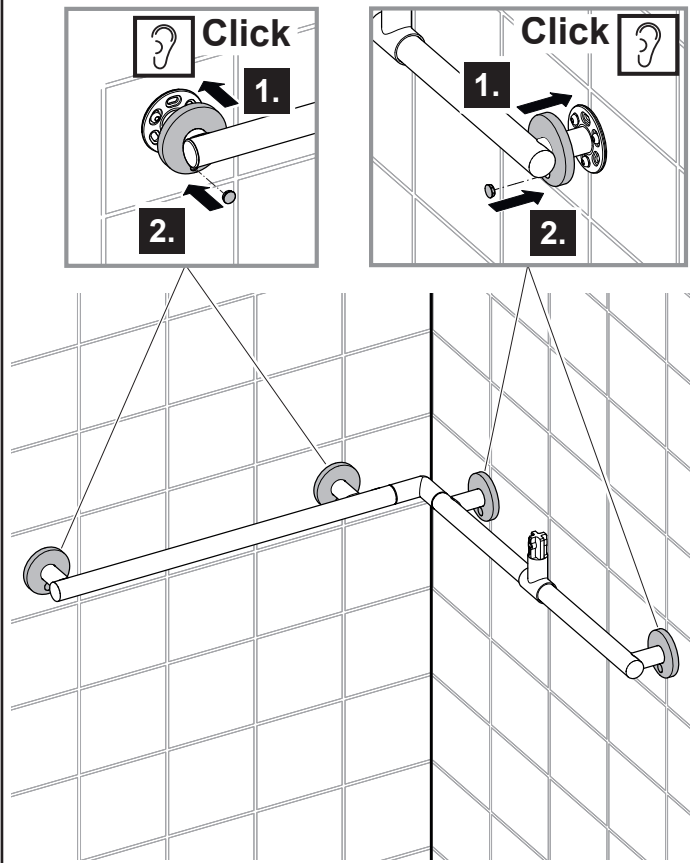
8



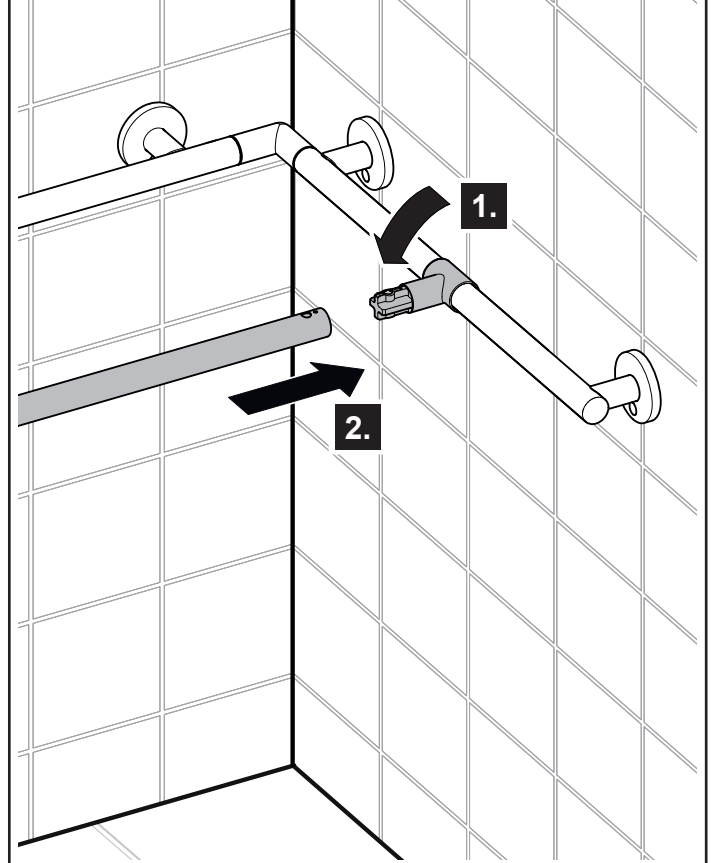
9

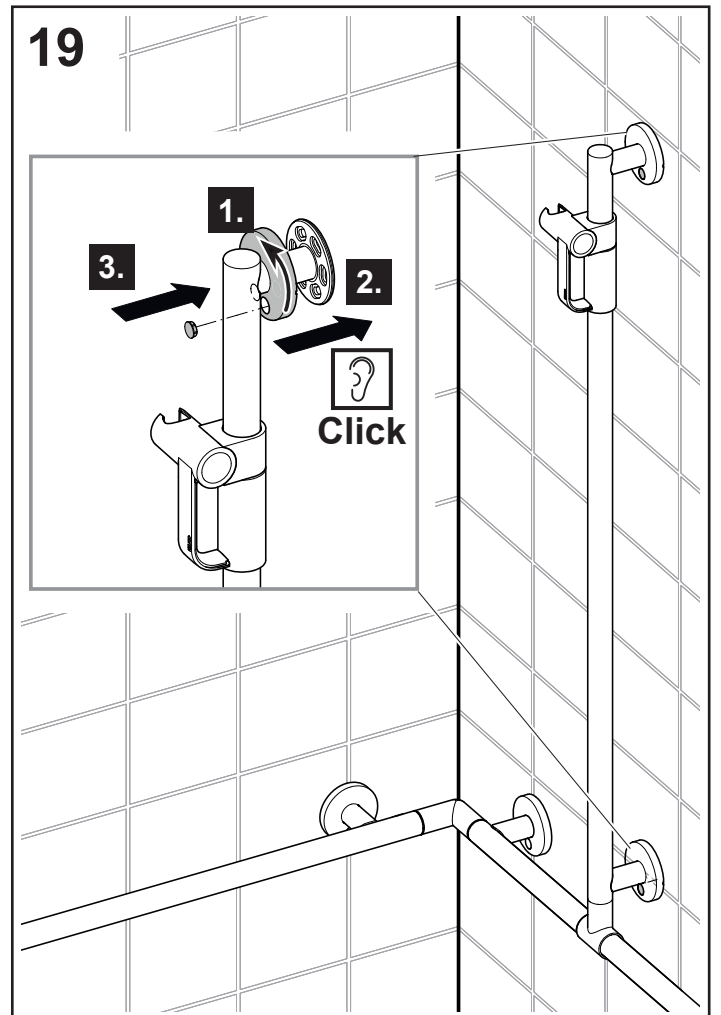
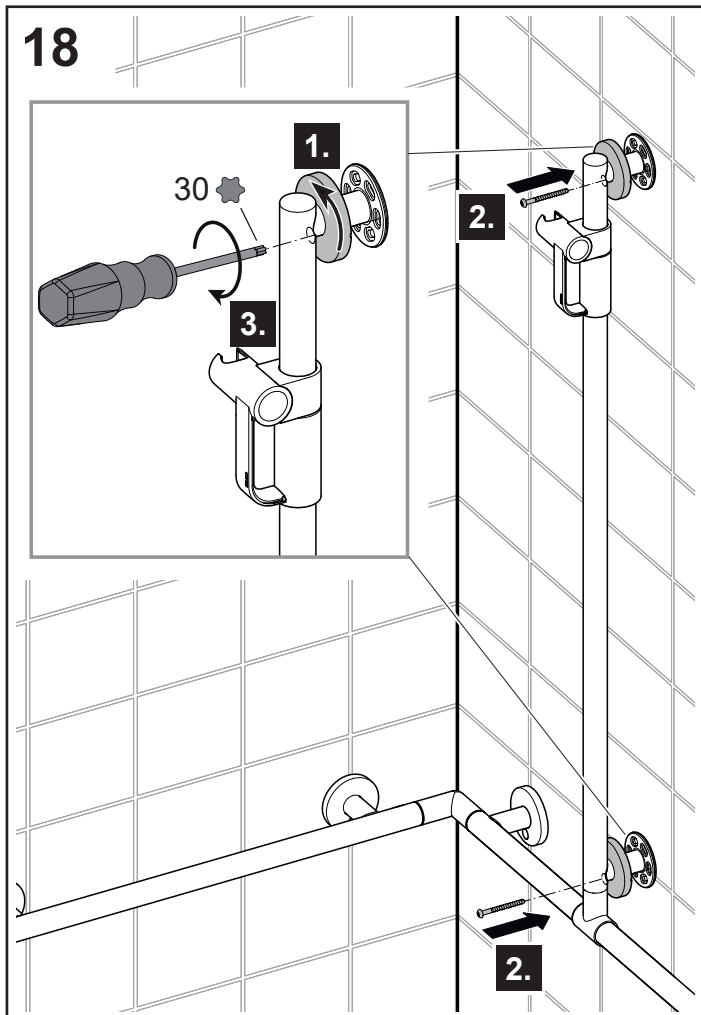
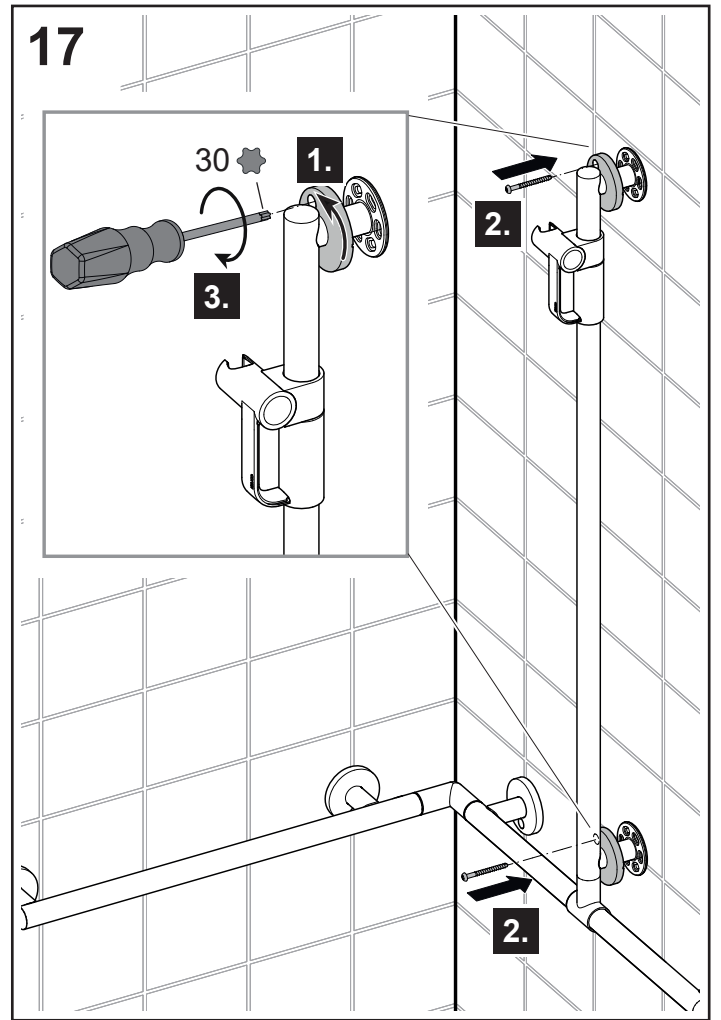
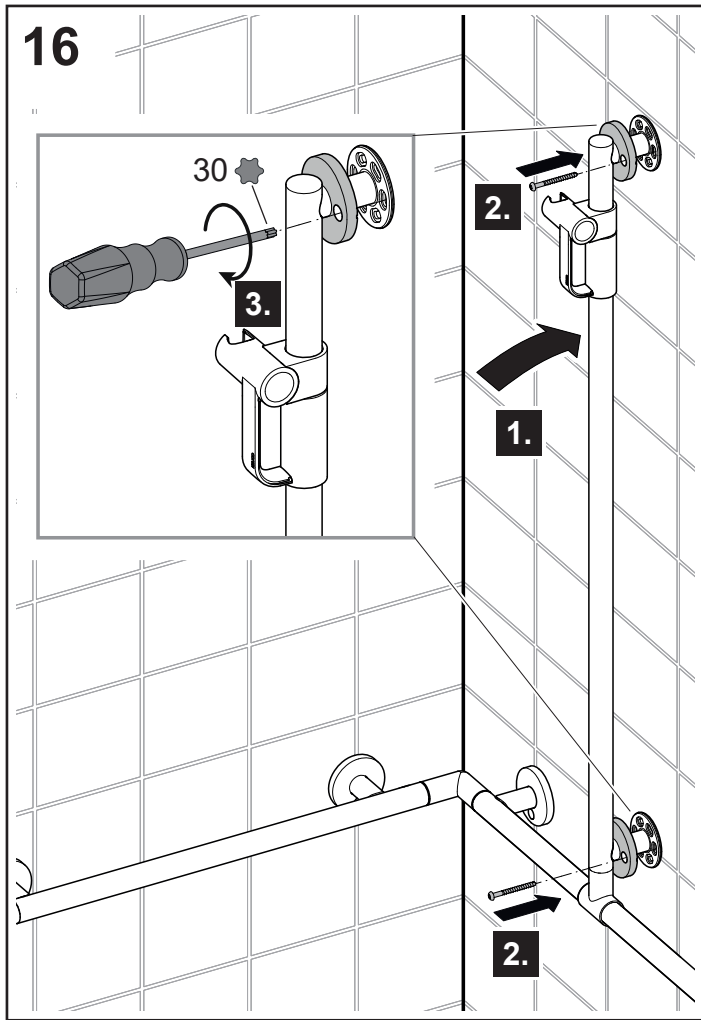


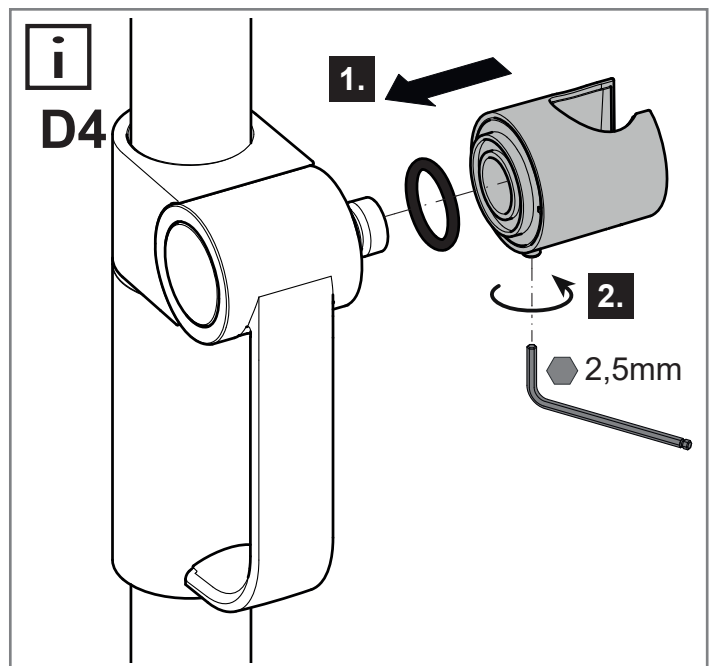
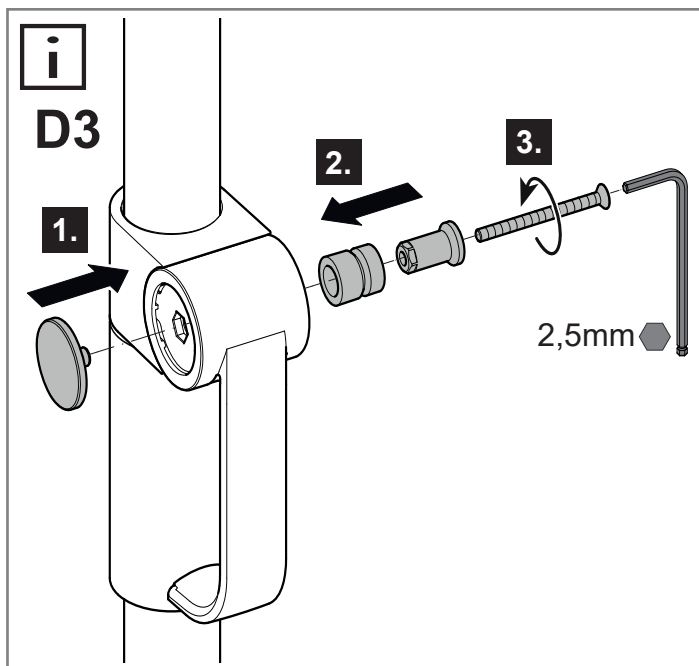
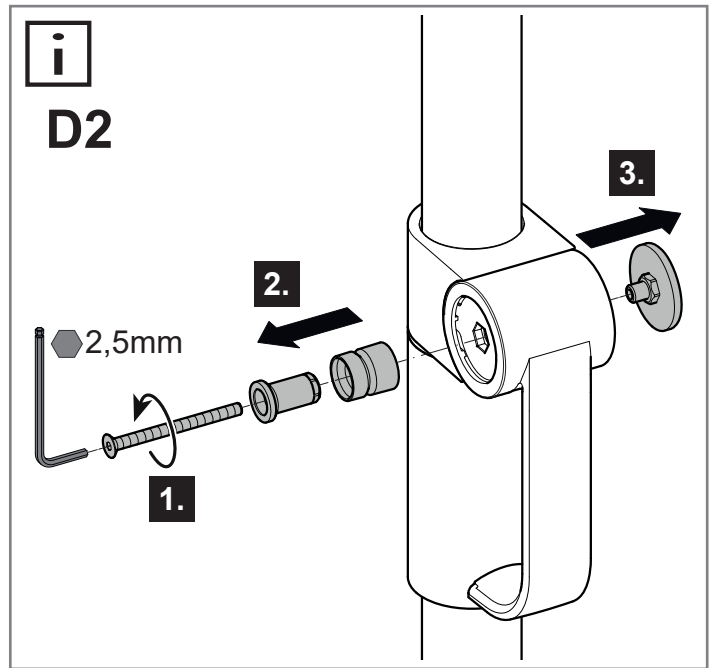
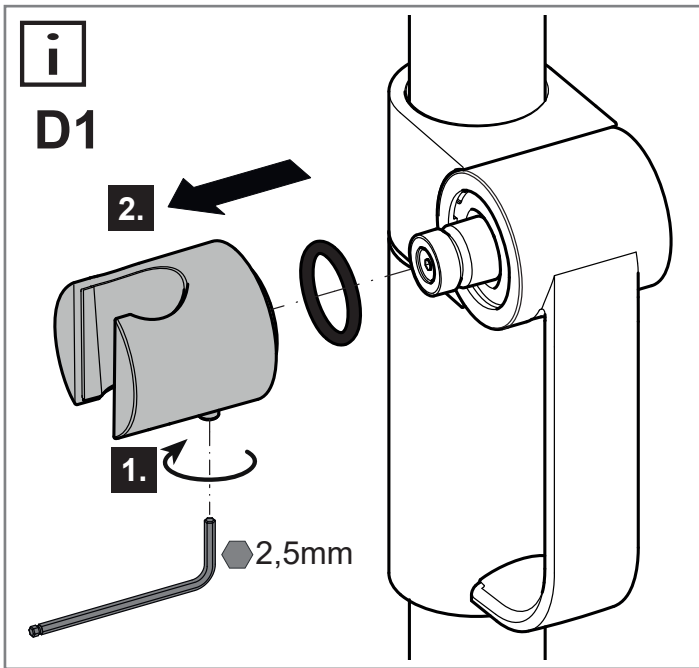
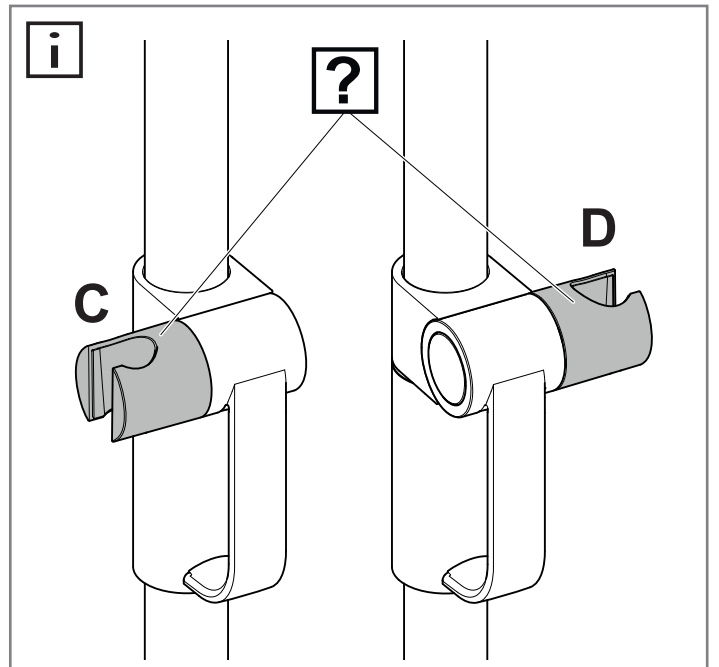
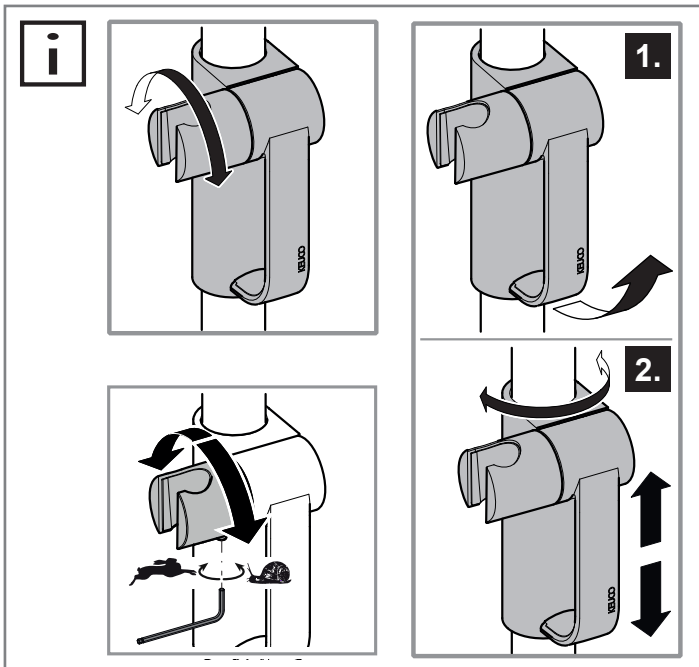
10



11









A series of 20 horizontal lines for writing, spaced evenly down the page.

