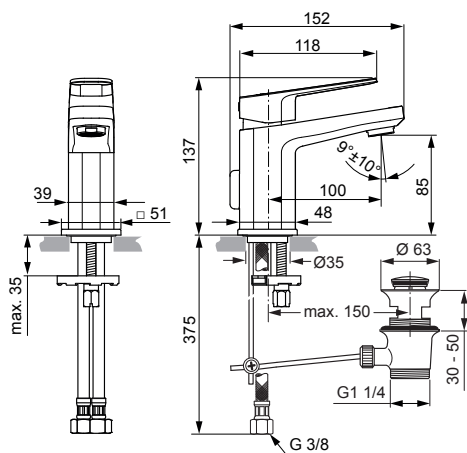
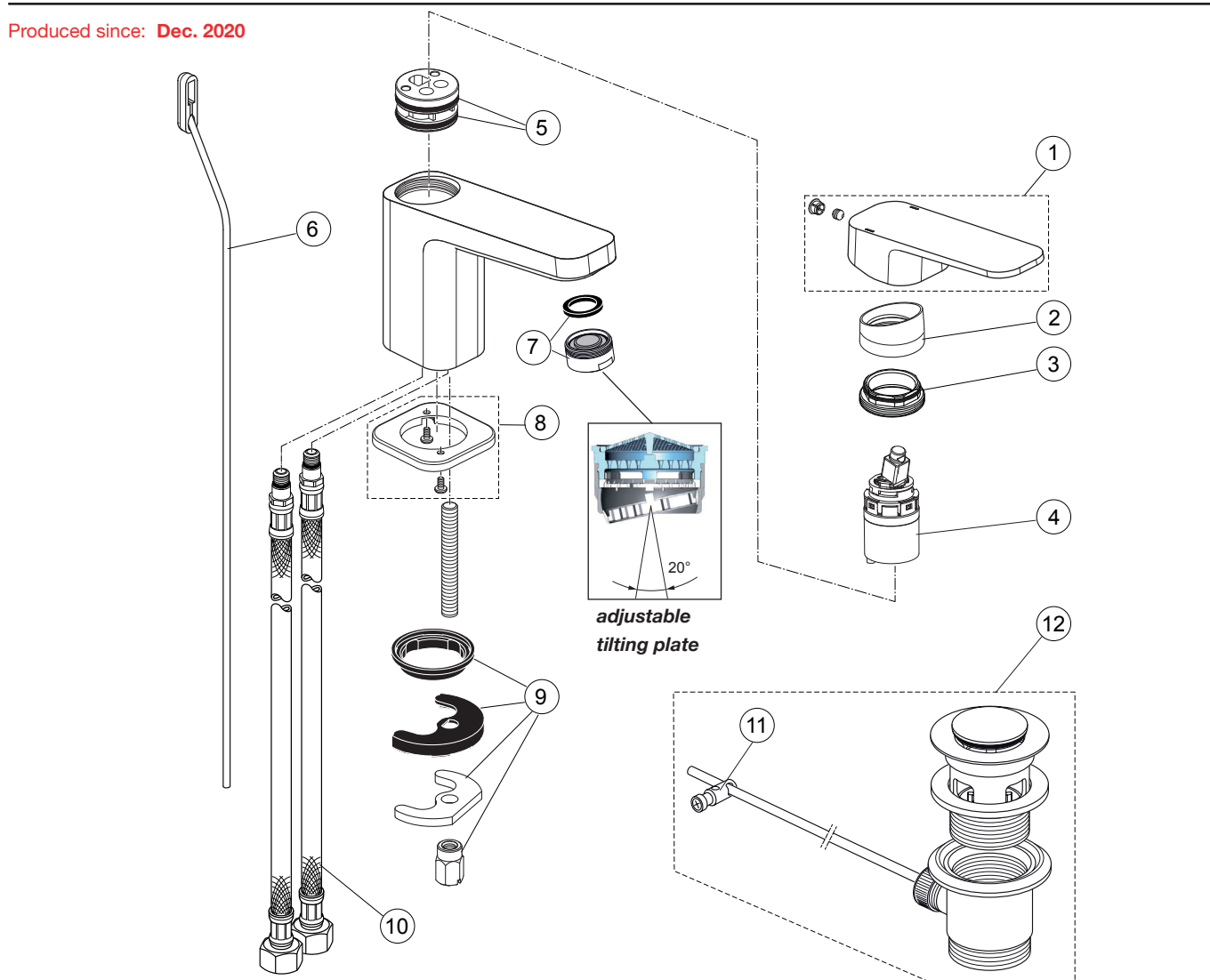




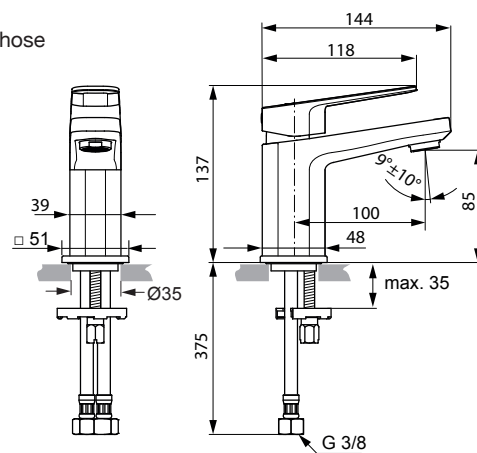
Tonic II A6330.. A6331..

Ideal Standard

Produced since: Dec. 2020



SL basin mixer Piccolo flex. hose without pop-up waste chrome **A6331AA**

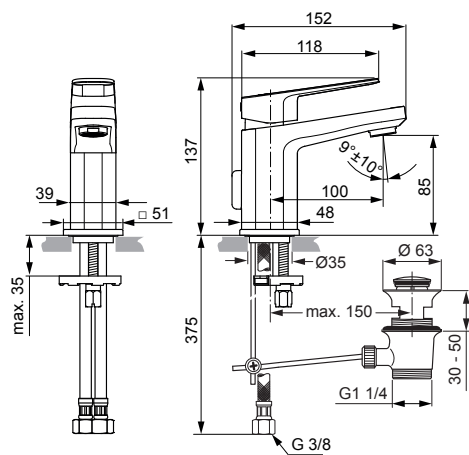
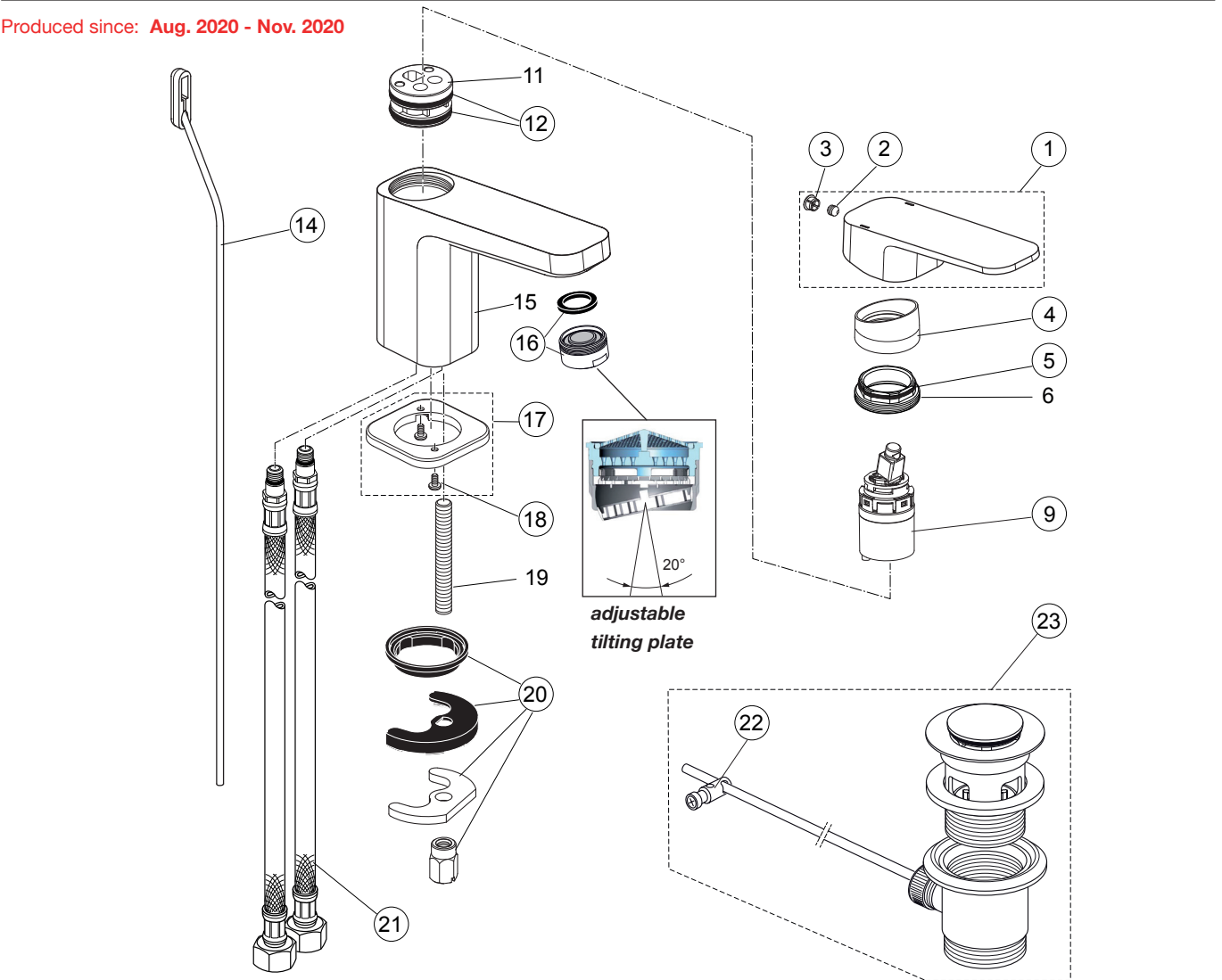


SL basin mixer Piccolo flex. hose with pop-up waste chrome **A6330AA**

Pos.	Description	Part-Number	Qty.	Pos.	Description	Part-Number	Qty.
1	Lever cpl. with Logo ISI	A 861 515 AA	1 Set	9	Fixation kit	A 964 520 NU*	1 Set
2	Cover cap	A 860 891 AA	1 pcs	10	Flex. hose M8x1-G3/8-420	A 962 370 NU	1 pcs
3	O - Ring Ø 25 x 1,5	A 962 496 NU	1 pcs	11	Bracket	A 961 172 NU	1 pcs
4	Cartridge Kerox Ø28	A 861 396 NU	1 pcs	12	Pop-up waste complete	A 961 230 AA	1 pcs
5	O - Ring Ø 26,7 x 1,78	A 962 825 NU	1 pcs	*Universal set (not all parts needed)			
6	Lift rod complete	A 960 654 AA	1 Set				
7	Aerator M24x1 - 5ltr/min	F 960 876 AA	1 pcs				
8	Escutcheon + screws	A 860 893 AA	1 Set				

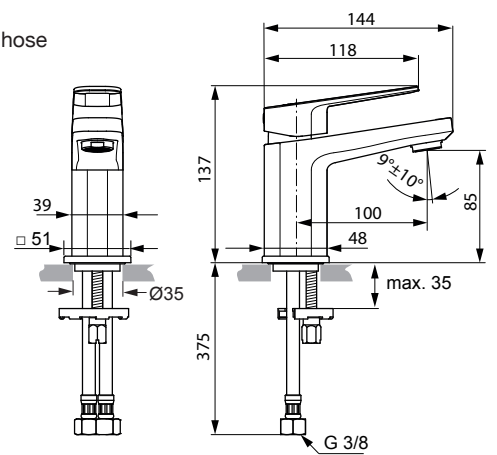
Tonic II A6330.. A6331..

Produced since: Aug. 2020 - Nov. 2020



SL basin mixer Piccolo flex. hose without pop-up waste chrome **A6331AA**

SL basin mixer Piccolo flex. hose with pop-up waste chrome **A6330AA**

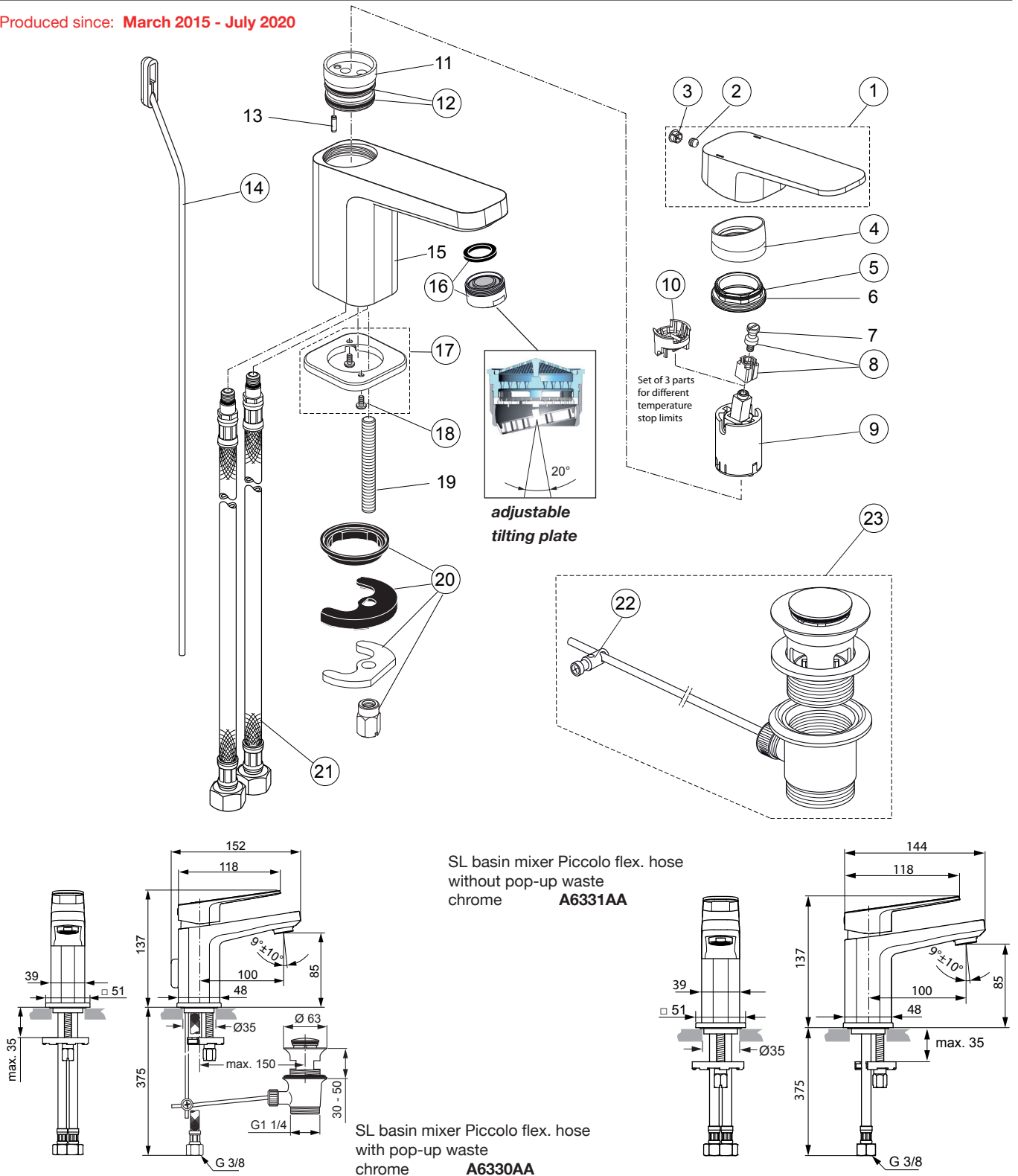


Pos.	Description	Part-Number	Qty.	Pos.	Description	Part-Number	Qty.
1	Lever cpl. with Logo ISI	A 861 515 AA	1 Set	15	Body		
2	Thread pin M5x6 DIN914	A 860 603 NU	1 pcs	16	Aerator M24x1 - 5ltr/min	F 960 876 AA	1 pcs
3	Handle cap	A 960 396 AA	1 pcs	17	Escutcheon + screws	A 860 893 AA	1 Set
4	Cover cap	A 860 891 AA	1 pcs	18	Srew M3 x 6 Din 85	A 960 342 NU*	1 Set
5	O - Ring Ø 25 x 1,5	A 962 496 NU	1 pcs	19	Bolt M8x63		
6	Thread ring M33x1			20	Fixation kit	A 964 520 NU*	1 Set
9	Cartridge Kerox Ø28	A 861 396 NU	1 pcs	21	Flex. hose M8x1-G3/8-420	A 962 370 NU	1 pcs
11	Manifold			22	Bracket	A 961 172 NU	1 pcs
12	O - Ring Ø 26,7 x 1,78	A 962 825 NU	1 pcs	23	Pop-up waste complete	A 961 230 AA	1 pcs
14	Lift rod complete	A 960 654 AA	1 Set				

*Universal set (not all parts needed)

Tonic II A6330.. A6331..

Produced since: **March 2015 - July 2020**



Pos.	Description	Part-Number	Qty.	Pos.	Description	Part-Number	Qty.
1	Lever cpl. with Logo ISI	A 860 890 AA	1 Set	13	Clamping pin		
2	Thread pin M5x6 DIN914	A 860 603 NU	1 pcs	14	Lift rod complete	A 960 654 AA	1 Set
3	Handle cap	A 960 396 AA	1 pcs	15	Body		
4	Cover cap	A 860 891 AA	1 pcs	16	Aerator M24x1 - 5ltr/min	F 960 876 AA	1 pcs
5	O - Ring Ø 25 x 1,5	A 962 496 NU	1 pcs	17	Escutcheon + screws	A 860 893 AA	1 Set
6	Thread ring M33x1			18	Srew M3 x 6 Din 85	A 960 342 NU*	1 Set
7	Handle srew M4			19	Bolt M8x63		
8	Lever adapter + srew	A 860 892 NU	1 Set	20	Fixation kit	A 964 520 NU*	1 Set
9	Cartridge Kerox Ø28 + Pos7	F 960 855 NU	1 Set	21	Flex. hose M8x1-G3/8-420	A 962 370 NU	1 pcs
10	Hot water limiter - 3 parts	B 961 088 NU	1 Set	22	Bracket	A 961 172 NU	1 pcs
11	Manifold			23	Pop-up waste complete	A 961 230 AA	1 pcs
12	O - Ring Ø 26,7 x 1,78	A 962 825 NU	1 pcs				

*Universal set (not all parts needed)