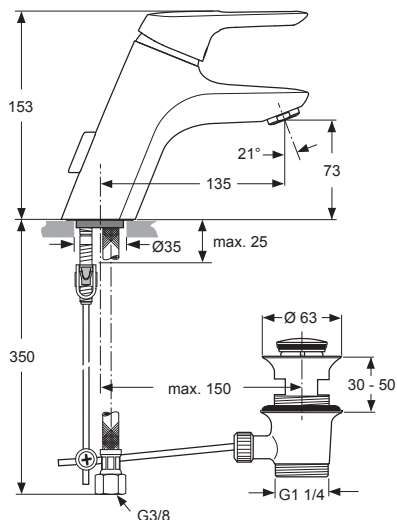




Ceramix Blue A5658..

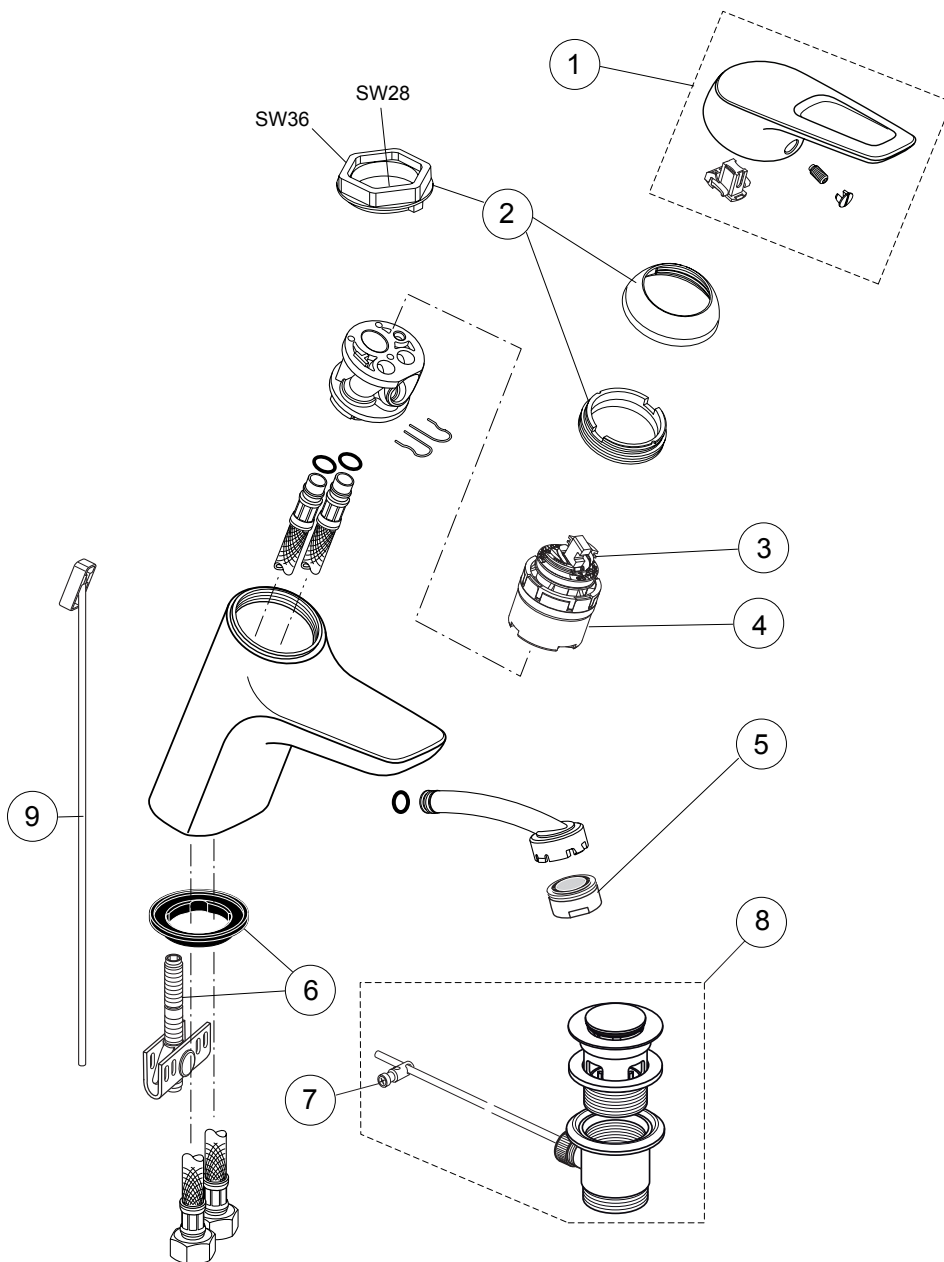
Ideal Standard

Produced from: Dec. 2020



SL basin mixer 5ltr/min
with flex. hose
with pop-up waste
chrome

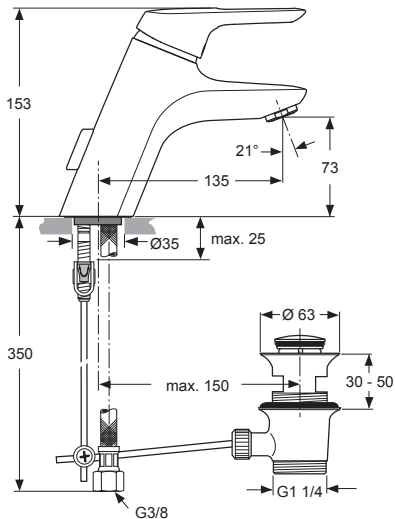
A5658AA



Pos.	Description	Part-Number	Qty.	Pos.	Description	Part-Number	Qty.
1	Lever compl. with Logo ISI	A 963 313 AA	1 pcs				
2	Cover + key	B 960 862 AA	1 Set				
3	Hot-Limit-Stop Cartridge	A 861 181 NU	1 pcs				
4	Cartridge Ø40 complete	A 861 156 NU*	1 Set				
5	Aerator M24x1 -orange-	B 960 754 AA	1 pcs				
6	Fixation kit Top-Fix	A 960 949 NU	1 Set				
7	Bracket	A 963 404 NU	1 pcs				
8	Pop-up waste complete	A 961 230 AA	1 pcs				
9	Lift rod with pull knob	A 963 357 AA	1 pcs				

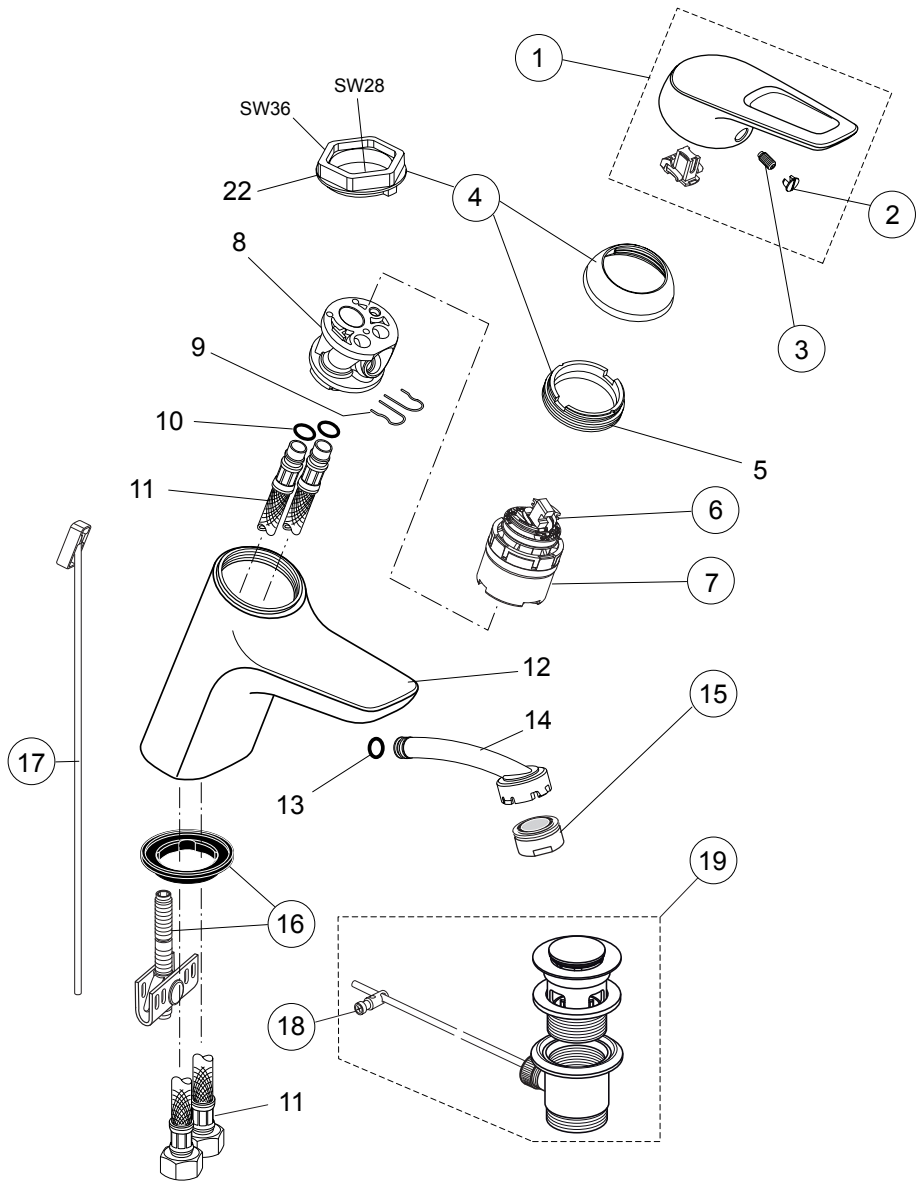
(* not all parts needed)

Produced from: Jun. 2019 - Dec. 2020



SL basin mixer 5ltr/min
with flex. hose
with pop-up waste
chrome

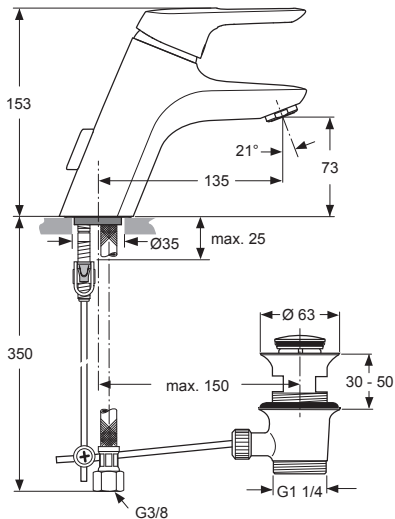
A5658AA



Pos.	Description	Part-Number	Qty.	Pos.	Description	Part-Number	Qty.
1	Lever compl. with Logo ISI	A 963 313 AA	1 pcs	12	Body / container		
2	Cap red/blue for handle	A 963 054 NU	1 pcs	13	O-ring Ø 8x1,5		
3	Thread pin M5x10 DIN915	A 963 309 NU	1 pcs	14	Inlet WT with M24x1		
4	Cover + pos.5 + key	B 960 862 AA	1 pcs	15	Aerator M24x1 -orange-	B 960 754 AA	1 pcs
5	Thread ring M43x1,5 / M41x1,5			16	Fixation kit Top-Fix	A 960 949 NU	1 Set
6	Hot-Limit-Stop Cartridge	A 861 181 NU	1 pcs	17	Lift rod with pull knob	A 963 357 AA	1 pcs
7	Cartridge Ø40 complete	A 861 156 NU*	1 Set	18	Bracket	A 963 404 NU	1 pcs
8	Manifold			19	Pop-up waste complete	A 961 230 AA	1 pcs
9	Clip			20	Insert for socket wrench (key for pos. 5)		
10	O-ring Ø 10x2,5						
11	Flex. hose / Clip / G3/8						

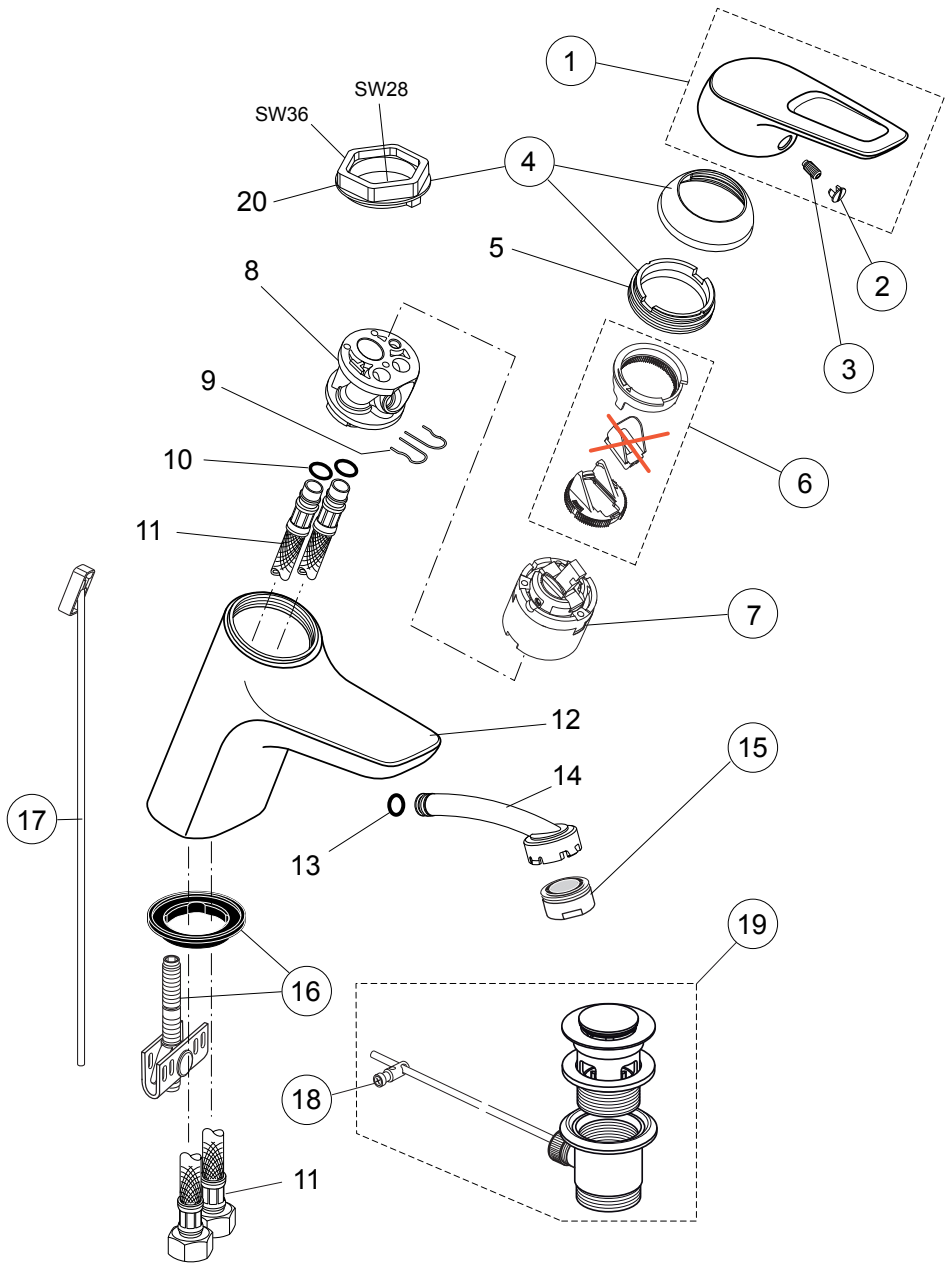
(* not all parts needed)

Produced from: Jan. 2011 - Jun 2019



SL basin mixer 5ltr/min
with flex. hose
with pop-up waste
chrome

A5658AA



Replace XX with the appropriate finish code
chrome = AA,

Example spare part order:
A 963 313 AA in chrome

Pos.	Description	Part-Number	Qty.	Pos.	Description	Part-Number	Qty.
1	Lever compl. with Logo ISI	A 963 313 XX	1 pcs	12	Body / container		
2	Cap red/blue for handle	A 963 054 NU	1 pcs	13	O-ring $\varnothing 8 \times 1,5$		
3	Thread pin M5x10 DIN915	A 963 309 NU	1 pcs	14	Inlet WT with M24x1		
4	Cover + pos.5 + key	B 960 862 XX	1 pcs	15	Aerator M24x1 -orange-	B 960 754 XX	1 pcs
5	Thread ring M43x1,5 / M41x1,5			16	Fixation kit Top-Fix	A 960 949 NU	1 Set
6	ECO-function / Hot limiter	A 963 314 NU	1 Set	17	Lift rod with pull knob	A 963 357 XX	1 pcs
7	Cartridge $\varnothing 40$ complete	A 963 785 NU	1 pcs	18	Bracket	A 963 404 NU	1 pcs
8	Manifold			19	Pop-up waste complete	A 961 230 XX	1 pcs
9	Clip			20	Insert for socket wrench (key for pos. 5)		
10	O-ring $\varnothing 10 \times 2,5$						
11	Flex. hose / Clip / G3/8						