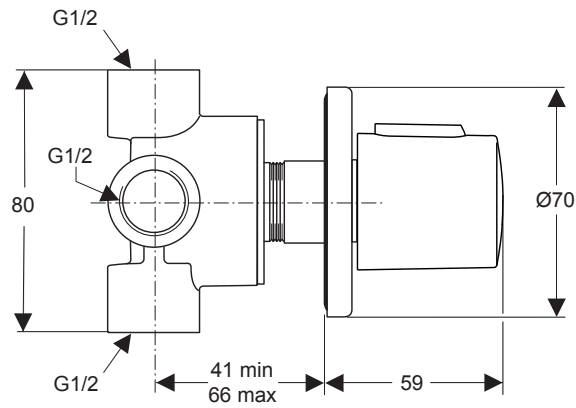
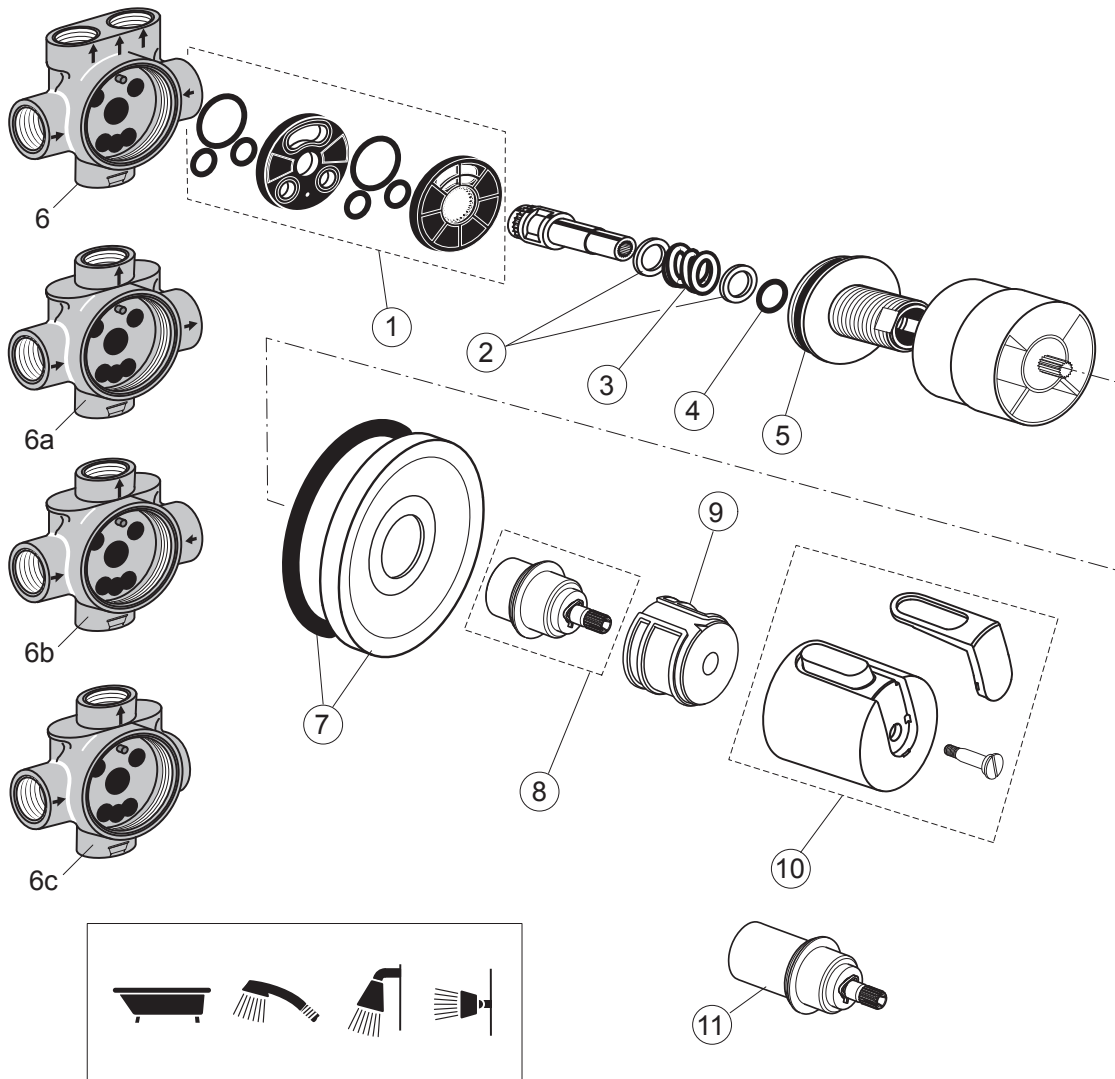


Produced from: Dec. 2020



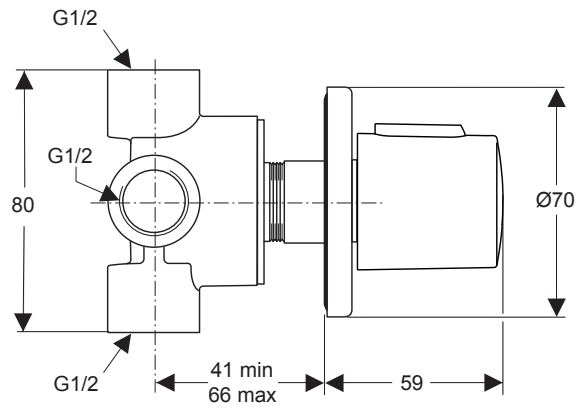
Design parts Kit 2
chrome

A4657AA



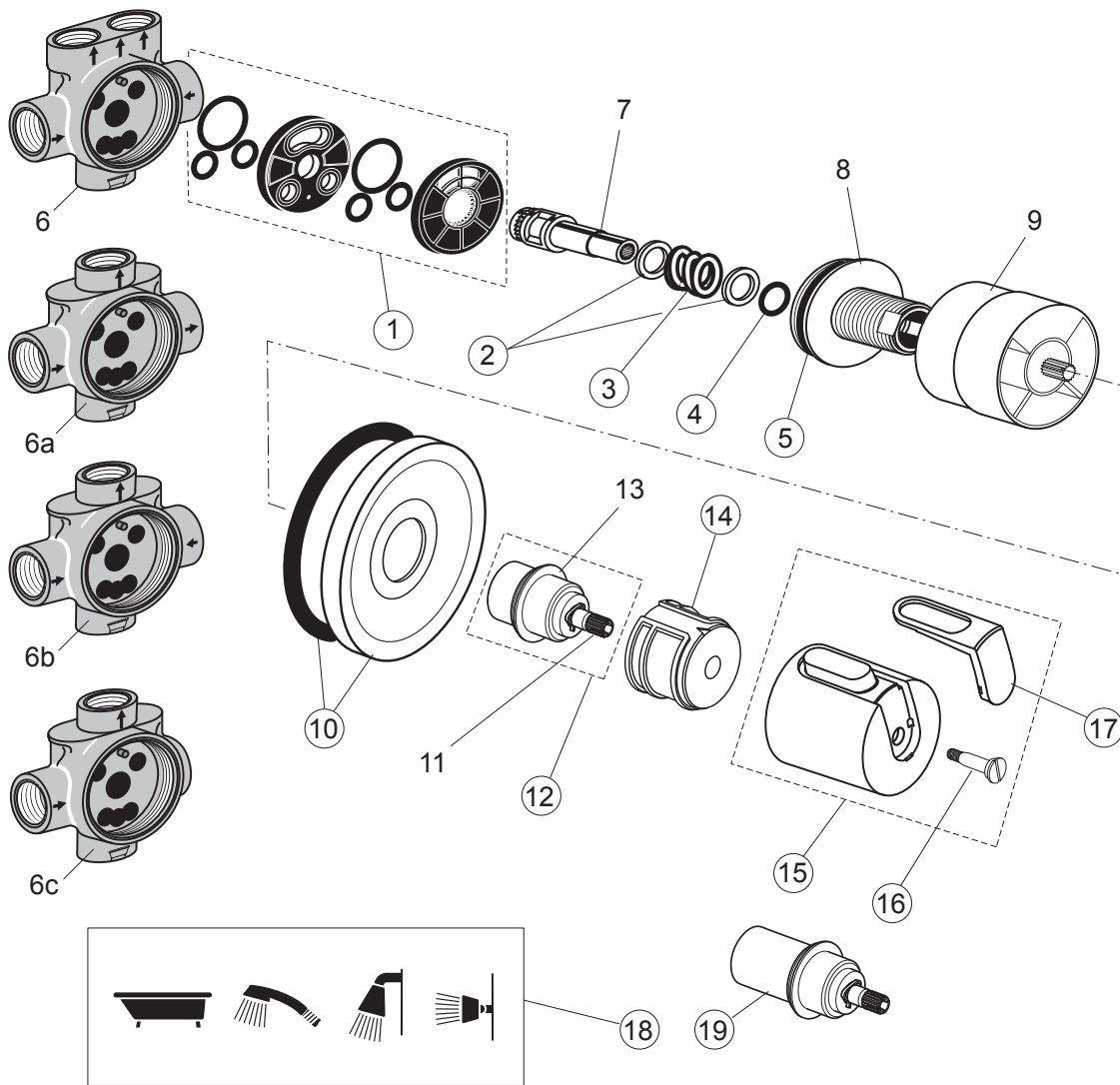
Pos.	Description	Part-Number	Qty.	Pos.	Description	Part-Number	Qty.
1	Diverter elements cpl.	A 963 470 NU	1 Set	7	Escutcheon with ring	A 962 877 AA	1 pcs
2	Friction ring	A 963 471 NU	2 pcs	8	Escutcheon holder cpl.	A 963 474 AA	1 pcs
3	Spring	A 963 472 NU	1 pcs	9	Handle insert	A 963 432 NU*	1 Set
4	O - Ring Ø 12 x 2	A 963 469 NU	1 pcs	10	Handle complete	A 962 950 AA	1 pcs
5	O - Ring Ø 37,77 x 2,62	A 962 574 NU	1 pcs	11	Extension kit 20mm longer	A 963 554 NU	1 pcs
6	Built-in body 5/3 Ways			* Universal-Set			
6a	Built-in body 4/3 Ways						
6b	Built-in body 4/2 Ways						
6c	Built-in body 3/2 Ways						

Produced from: April 2010 - Nov 2020



Design parts Kit 2
chrome

A4657AA



Pos.	Description	Part-Number	Qty.	Pos.	Description	Part-Number	Qty.
1	Diverter elements compl.	A 963 470 NU	1 Set	11	Spindle		
2	Friction ring	A 963 471 NU	2 pcs	12	Escutcheon holder compl.	A 963 474 AA	1 pcs
3	Spring	A 963 472 NU	1 pcs	13	Escutcheon holder		
4	O - Ring Ø 12 x 2	A 963 469 NU	1 pcs	14	Handle insert	A 963 432 NU*	1 Set
5	O - Ring Ø 37,77 x 2,62	A 962 574 NU	1 pcs	15	Handle complete	A 962 950 AA	1 pcs
6	Built-in body 5/3 Ways			16	Screw M4 x 23,5	A 962 998 NU	2 pcs
6a	Built-in body 4/3 Ways			17	Cap for handle		
6b	Built-in body 4/2 Ways				with and with out Logo	A 962 872 AA	1 Set
6c	Built-in body 3/2 Ways			18	self adhesive foil		
7	Spindle				with symbols	A 963 477 NU	1 pcs
8	Thread covering			19	Extension kit 20mm longer	A 963 554 NU	1 pcs
9	Plaster guard						
10	Escutcheon with ring	A 962 877 AA	1 pcs				

* Universal-Set