

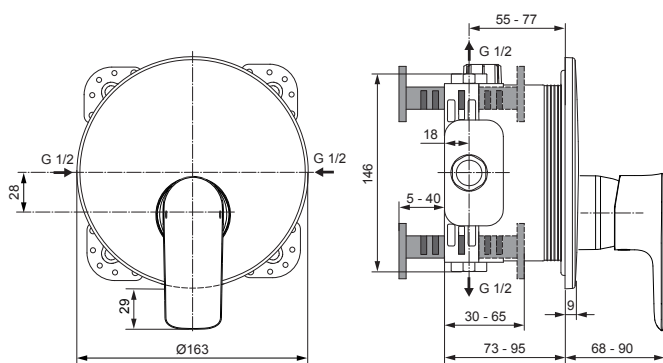
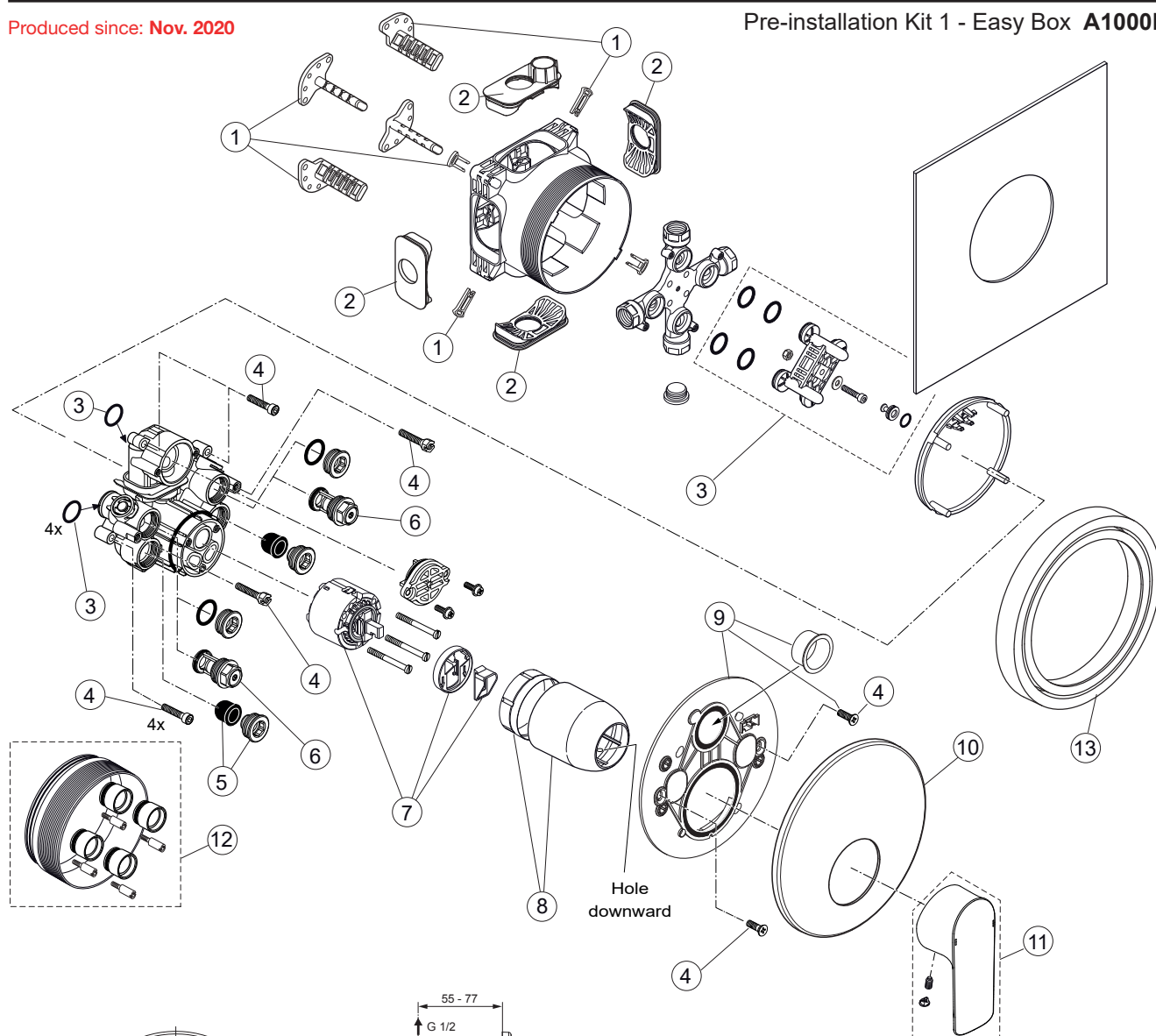


Connect Air A7034..

Ideal Standard

Produced since: Nov. 2020

Pre-installation Kit 1 - Easy Box **A1000NU**



Body and Designparts Kit 2 : **A7034..**

Replace **XX** with the appropriate finish code

Chrome = AA Silver Storm = GN Gold = A2 Magnetic Grey = A5

Example spare part order:

A 960 893 AA in Chrome

Pos.	Description	Part-Number	Qty.	Pos.	Description	Part-Number	Qty.
1	Install. depth adjust.	A 963 131 NU	1 Set	11	Lever cpl.	A 861 408 XX	1 Set
2	Side sealing	A 963 132 NU	1 Set	12	Extension kit 20mm	A 960 704 NU	1 Set
3	Flushing device cpl.	A 963 146 NU	1 Set		Extension kit 40mm	A 962 476 NU	1 Set
4	Screw set complete	A 960 890 NU*	1 Set	13	Distanzframe 20mm	A 6677 XX	1 Set
5	Low noise insert	A 960 891 NU	1 pcs				
6	Stop valve	A 960 706 NU	2 pcs				
7	Cartridge with ECO-kit	A 960 500 NU	1 Set				
8	Cover + clamping + o-ring	A 960 893 XX	1 Set				
9	Escutcheon holder cpl.	A 860 897 NU	1 Set				
10	Escutcheon Sh. w. Logo	A 861 410 XX	1 pcs				

*Universal set (not all parts needed)

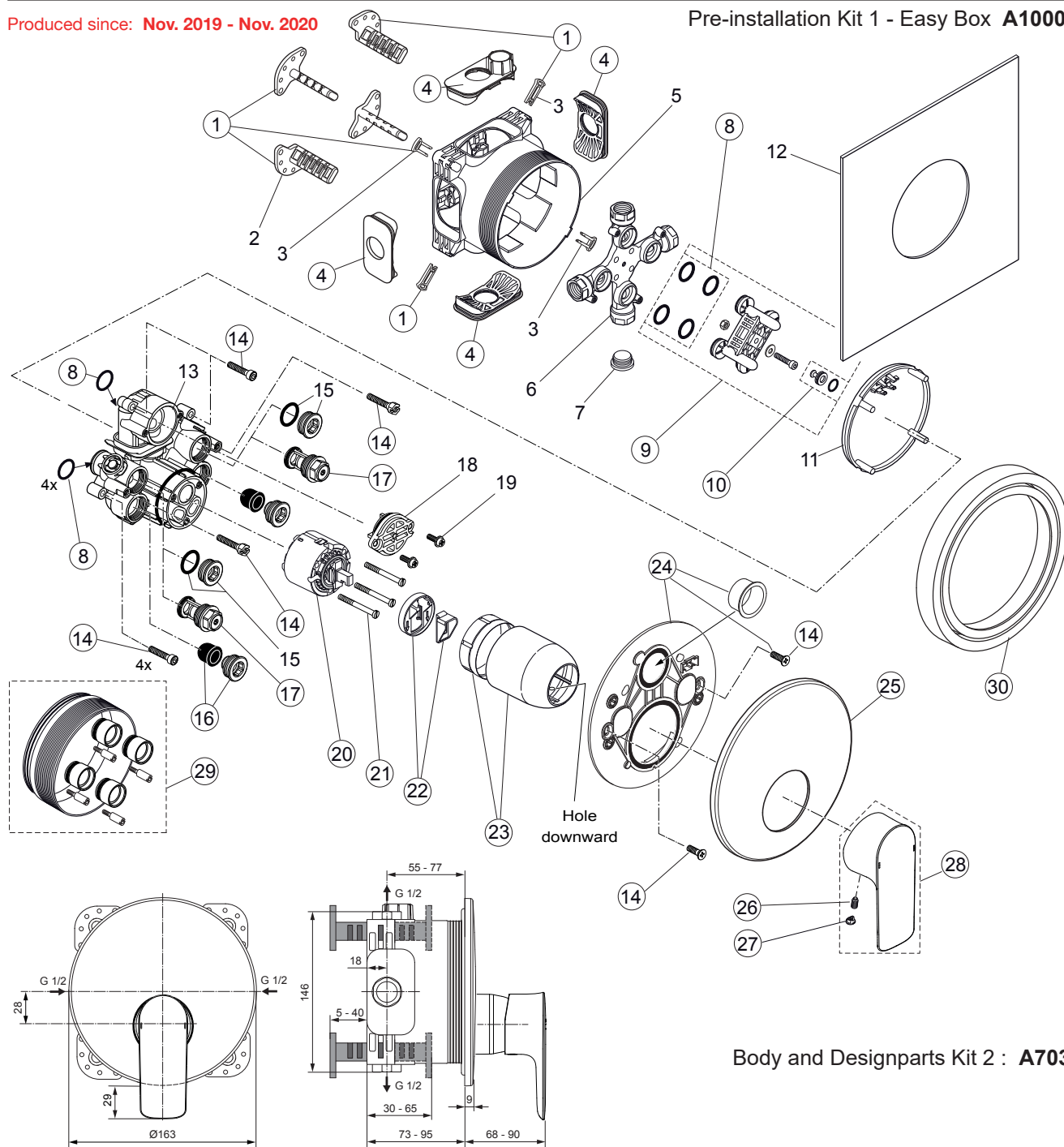


Connect Air A7034..

Ideal Standard

Produced since: Nov. 2019 - Nov. 2020

Pre-installation Kit 1 - Easy Box **A1000NU**



Body and Designparts Kit 2 : **A7034..**

Replace **XX** with the appropriate finish code

Chrome = AA Silver Storm = GN Gold = A2 Magnetic Grey = A5

Example spare part order:

A 960 893 AA in Chrome

Pos.	Description	Part-Number	Qty.	Pos.	Description	Part-Number	Qty.
1	Install. depth adjust. + pos.3	A 963 131 NU	1 Set	17	Stop valve	A 960 706 NU	2 pcs
2	Depth adjustment device			18	Front cover with o-ring		
3	Adjustment lock (contained in pos. 1)			19	Screw M4x12		
4	Side sealing	A 963 132 NU	1 Set	20	Cartridge with pos.22	A 960 500 NU	1 Set
5	Built-in box			21	Cylindrical screw M4x41,7	A 963 335 NU	3 pcs
6	Multi-way body			22	ECO-kit	A 860 700 NU	1 Set
7	Plug G1/2			23	Cover + clamping + o-ring	A 960 893 XX	1 Set
8	O-ring Ø 17 x 2,5	A 963 143 NU	1 Set	24	Escutcheon holder cpl.	A 860 897 NU	1 Set
9	Flushing device cpl.	A 963 146 NU	1 Set	25	Escutcheon Sh. w. Logo	A 861 410 XX	1 pcs
10	Plug with o-ring Ø 12x1,5	A 963 147 NU	1 Set	26	Thread pin M5x10 DIN915	A 963 309 NU	1 pcs
11	Cover for built-in box			27	Cap for handle	A 861 406 NU*	1 Set
12	Sealing fleece			28	Lever cpl.	A 861 408 XX	1 Set
13	Body Single lever			29	Extension kit 20mm	A 960 704 NU	1 Set
14	Screw set complete	A 960 890 NU*	1 Set		Extension kit 40mm	A 962 476 NU	1 Set
15	Plug with o-ring			30	Distanzframe 20mm	A 6677 XX	1 Set
16	Low noise insert	A 960 891 NU	1 pcs				

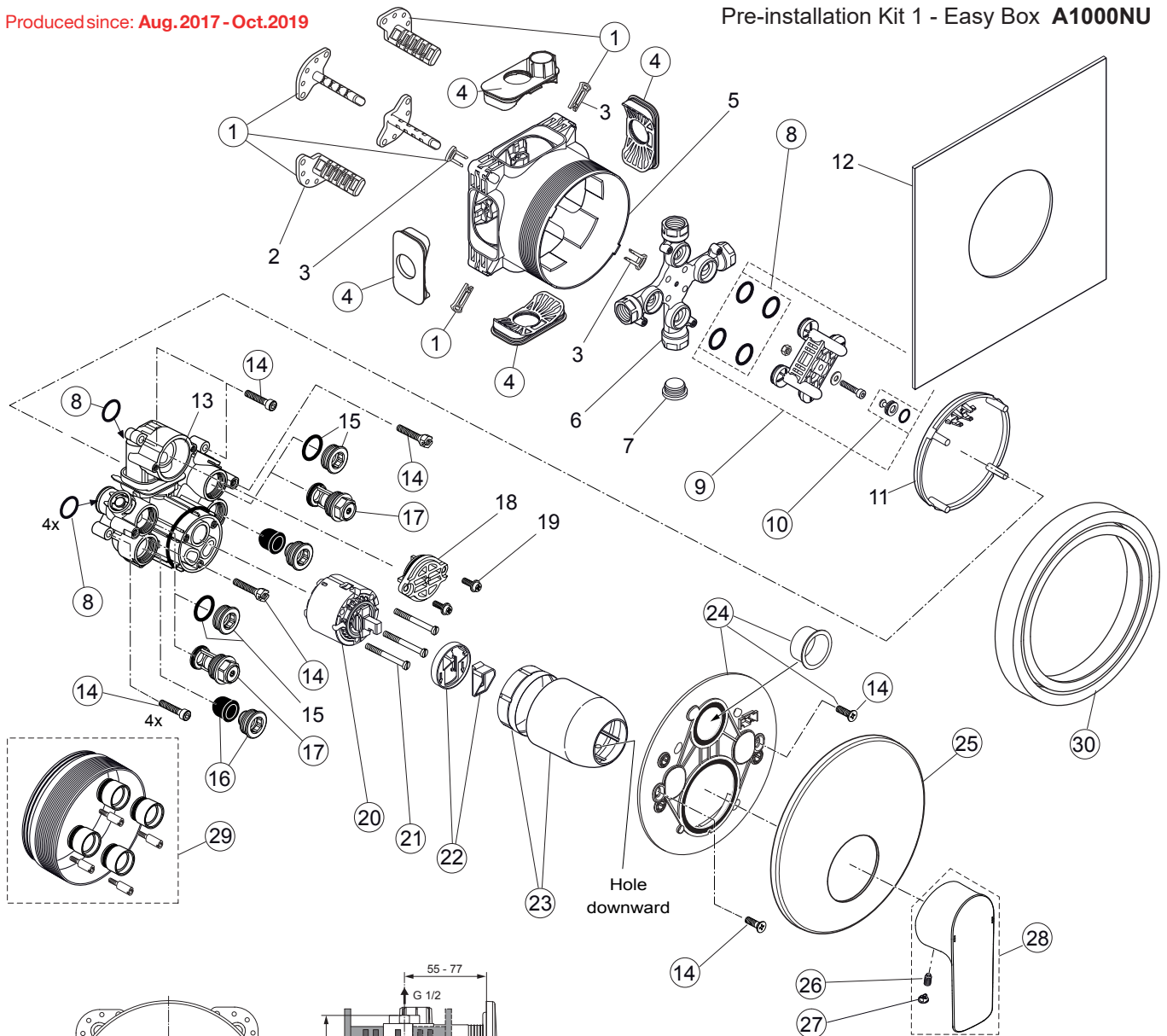
*Universal set (not all parts needed)

Connect Air A7034..



Produced since: Aug.2017 - Oct.2019

Pre-installation Kit 1 - Easy Box **A1000NU**



Body and Designparts Kit 2 : **A7034**

Pos.	Description	Part-Number	Qty.	Pos.	Description	Part-Number	Qty.
1	Install. depth adjust. + pos.3	A 963 131 NU	1 Set	17	Stop valve	A 960 706 NU	2 pcs
2	Depth adjustment device			18	Front cover with o-ring		
3	Adjustment lock (contained in pos. 1)			19	Screw M4x12		
4	Side sealing	A 963 132 NU	1 Set	20	Cartridge with pos.22	A 960 500 NU	1 Set
5	Built-in box			21	Cylindrical screw M4x41,7	A 963 335 NU	3 pcs
6	Multi-way body			22	ECO-kit	A 860 700 NU	1 Set
7	Plug G1/2			23	Cover + clamping + o-ring	A 960 893 AA	1 Set
8	O-ring Ø 17 x 2,5	A 963 143 NU	1 Set	24	Escutcheon holder cpl.	A 860 897 NU	1 Set
9	Flushing device cpl.	A 963 146 NU	1 Set	25	Escutcheon Sh.	A 860 946 AA	1 pcs
10	Plug with o-ring Ø 12x1,5	A 963 147 NU	1 Set	26	Thread pin M5x10 DIN915	A 963 309 NU	1 pcs
11	Cover for built-in box			27	Cap for handle	B 960 473 AA	1 pcs
12	Sealing fleece			28	Lever cpl. w. Logo ISI	A 861 236 AA	1 Set
13	Body Single lever			29	Extension kit 20mm	A 960 704 NU	1 Set
14	Screw set complete	A 960 890 NU*	1 Set		Extension kit 40mm	A 962 476 NU	1 Set
15	Plug with o-ring			30	Distanzframe 20mm	A 6677 AA	1 Set
16	Low noise insert	A 960 891 NU	1 pcs				

*Universal set (not all parts needed)