

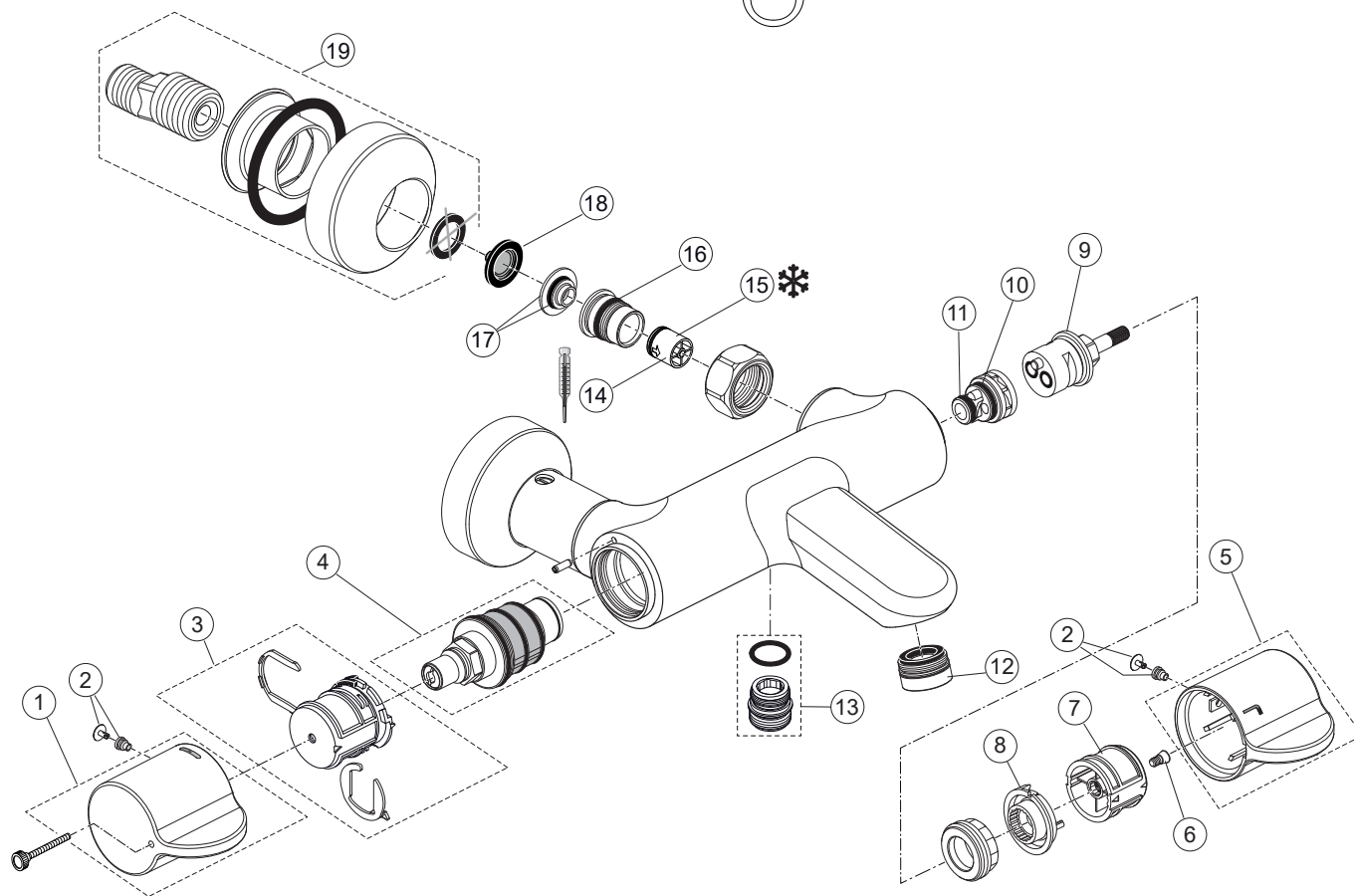
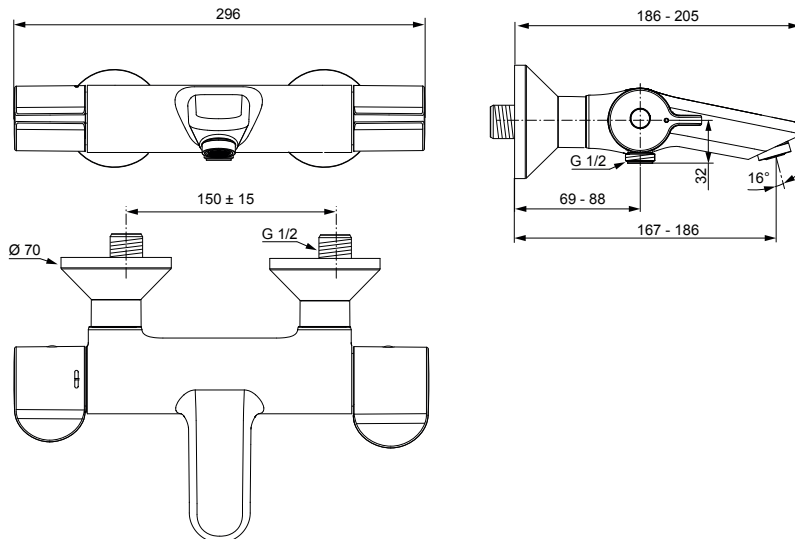


# Ceraplus Safe A 6874 ..

Ideal Standard

Produced from: Jan. 2022

Thermostat with function desinfection

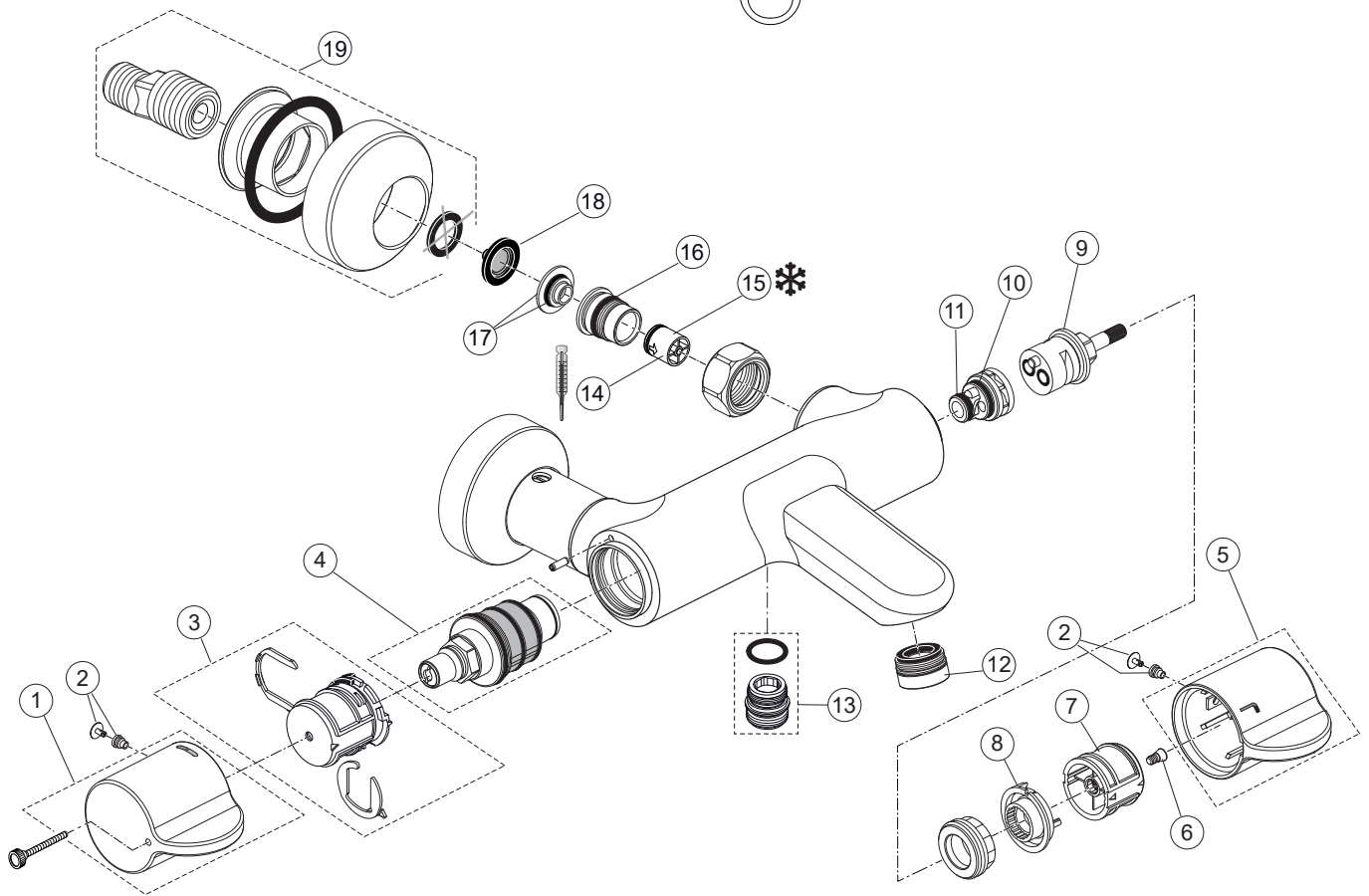
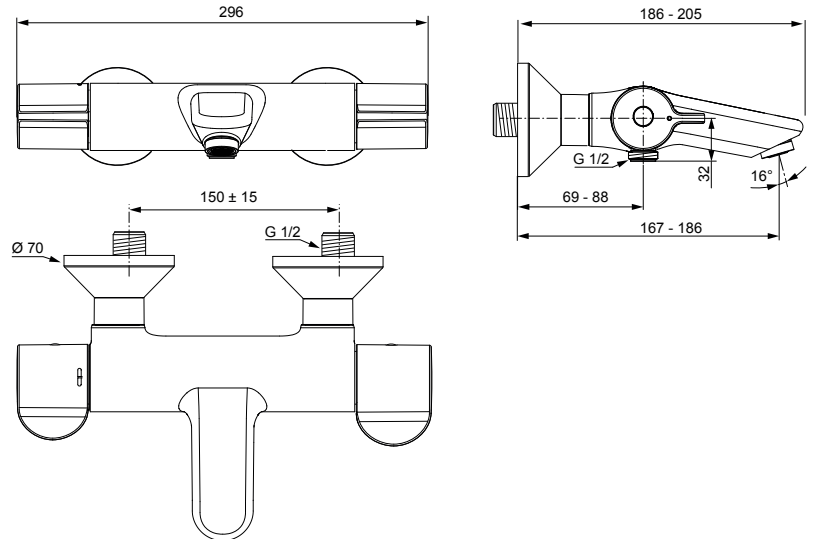


Pos.	Description	Part-Number	Qty.	Pos.	Description	Part-Number	Qty.
1	Handle for Temp. cpl.	<b>A 861 195 AA</b>	1 Set	13	Nipple complete G1/2	<b>A 963 651 NU</b>	1 pcs
2	Handle cap + screw	<b>A 962 149 AA*</b>	1 pcs	14	Non-return valve (Hot water)	<b>F 960 942 NU</b>	1 pcs
3	Temp. adjustment cpl.	<b>A 963 427 NU</b>	1 Set	15	Non-return valve (Cold water)	<b>N 042 977 NU</b>	1 pcs
4	Thermostatic Cartridge	<b>A 962 229 NU</b>	1 pcs	16	O - ring Ø 17 x 2	<b>A 961 810 NU</b>	2 pcs
5	Volume control handle cpl.	<b>A 861 198 AA</b>	1 Set	17	Isolation ring	<b>A 861 197 NU</b>	2 Set
6	Screw M4	<b>A 961 337 NU</b>	1 pcs	18	Strainer (screen)	<b>A 962 595 NU</b>	2 pcs
7	Handle insert (Set)	<b>A 963 432 NU*</b>	1 Set	19	Escutcheon cpl.	<b>A 962 050 AA</b>	2 Set
8	Volume control stop ring	<b>A 962 563 NU*</b>	1 Set				
9	Stop valve with diverter	<b>A 962 568 NU*</b>	1 Set				
10	O - ring Ø 18,77 x 1,78	<b>A 962 529 NU</b>	1 pcs				
11	O - ring Ø 12,42 x 1,78	<b>A 961 332 NU</b>	2 pcs				
12	Aerator M24 x 1 + Key	<b>F 961 082 AA</b>	1 Set				

\* Universal-Set (not all parts needed)

Produced from: April 2021 - Jan. 2022

Thermostat with  
function desinfection

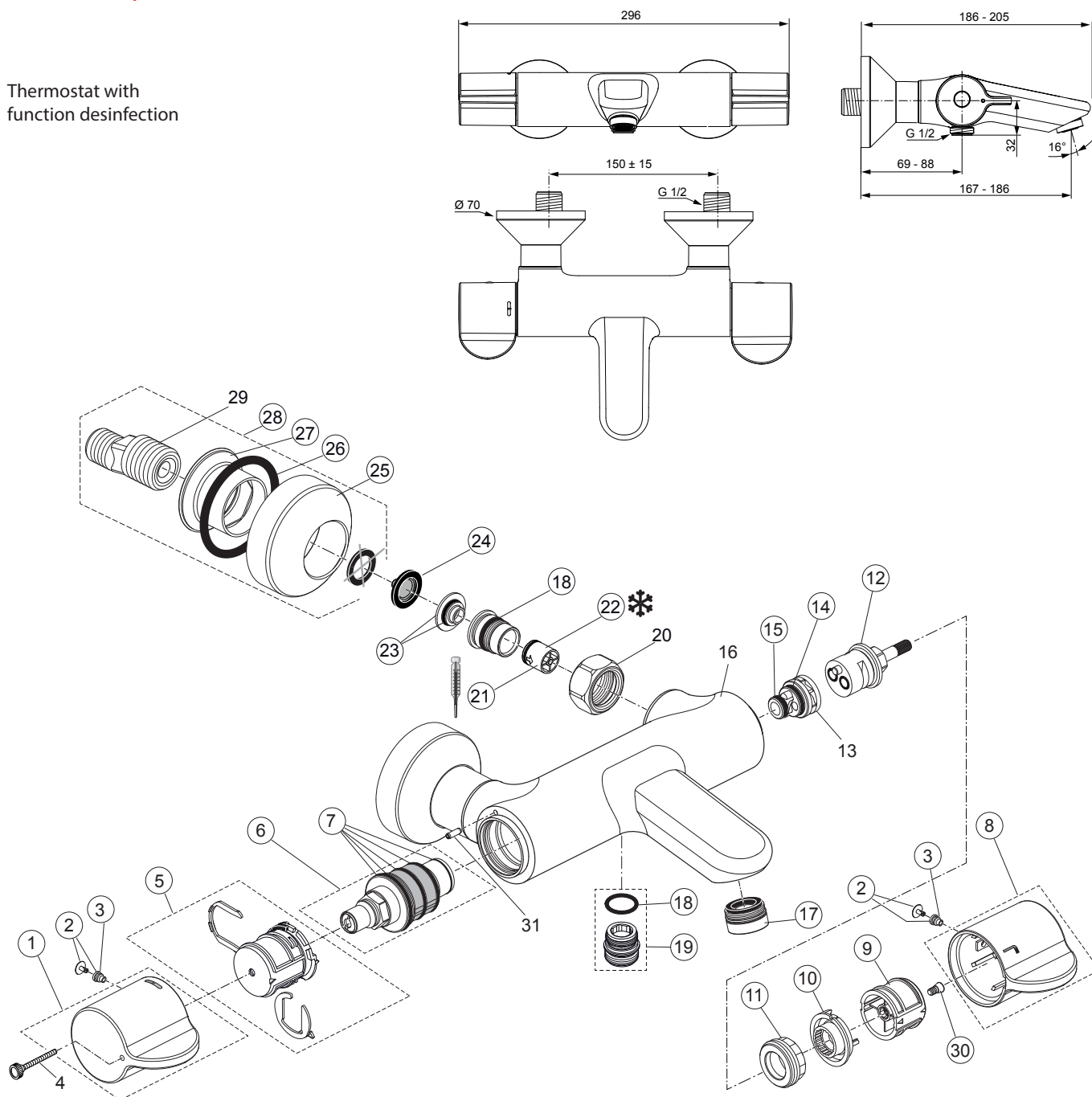


Pos.	Description	Part-Number	Qty.	Pos.	Description	Part-Number	Qty.
1	Handle for Temp. cpl.	<b>A 861 195 AA</b>	1 Set	13	Nipple complete G1/2	<b>A 963 651 NU</b>	1 pcs
2	Handle cap + screw	<b>A 962 149 AA*</b>	1 pcs	14	Non-return valve (Hot water)	<b>F 960 942 NU</b>	1 pcs
3	Temp. adjustment cpl.	<b>A 963 427 NU</b>	1 Set	15	Non-return valve (Cold water)	<b>N 042 977 NU</b>	1 pcs
4	Thermostatic Cartridge	<b>A 962 229 NU</b>	1 pcs	16	O - ring Ø 17 x 2	<b>A 961 810 NU</b>	2 pcs
5	Volume control handle cpl.	<b>A 861 198 AA</b>	1 Set	17	Isolation ring	<b>A 861 197 NU</b>	2 Set
6	Screw M4	<b>A 961 337 NU</b>	1 pcs	18	Strainer (screen)	<b>A 962 595 NU</b>	2 pcs
7	Handle insert (Set)	<b>A 963 432 NU*</b>	1 Set	19	Escutcheon cpl.	<b>A 962 050 AA</b>	2 Set
8	Volume control stop ring	<b>A 962 563 NU*</b>	1 Set				
9	Stop valve with diverter	<b>A 962 568 NU*</b>	1 Set				
10	O - ring Ø 18,77 x 1,78	<b>A 962 529 NU</b>	1 pcs				
11	O - ring Ø 12,42 x 1,78	<b>A 961 332 NU</b>	2 pcs				
12	Aerator M24 x 1 + Key	<b>F 961 082 AA</b>	1 Set				

\* Universal-Set (not all parts needed)

Produced from: April 2017 - March 2021

Thermostat with function desinfection



Pos.	Description	Part-Number	Qty.	Pos.	Description	Part-Number	Qty.
1	Handle for Temp. cpl.	<b>A 861 195 AA</b>	1 Set	17	Aerator M24 x 1 + Key	<b>F 961 082 AA</b>	1 Set
2	Handle cap + screw	<b>A 962 149 AA*</b>	1 pcs	18	O - ring Ø 17 x 2	<b>A 961 810 NU</b>	2 pcs
3	Srew M5x5	<b>A 961 095 NU</b>	1 pcs	19	Nipple complete G1/2	<b>A 963 651 NU</b>	1 pcs
4	Knurled head screw M3x30			20	Coupling nut G3/4 - SW30		
5	Temp. adjustment cpl.	<b>A 963 427 NU</b>	1 Set	21	Non-return valve (Hot water)	<b>F 960 942 NU</b>	1 pcs
6	Thermostatic Cartridge	<b>A 962 229 NU</b>	1 pcs	22	Non-return valve (Cold water)	<b>N 042 977 NU</b>	1 pcs
7	Repair-Set Cartridge	<b>A 962 230 NU</b>	1 Set	23	Isolation ring	<b>A 861 197 NU</b>	2 Set
8	Volume control handle cpl.	<b>A 861 198 AA</b>	1 Set	24	Strainer ( screen )	<b>A 962 595 NU</b>	2 pcs
9	Handle insert ( Set )	<b>A 963 432 NU*</b>	1 Set	25	Escutcheon	<b>A 960 599 AA</b>	1 pcs
10	Volume control stop ring	<b>A 962 563 NU*</b>	1 Set	26	O-ring Ø 53,5 x 5	<b>A 963 840 NU</b>	1 pcs
11	Thread ring M34 x 1,5			27	Escutcheon inside	<b>A 963 838 AA</b>	1 pcs
12	Stop valve with diverter	<b>A 962 568 NU*</b>	1 Set	28	Escutcheon cpl.	<b>A 962 050 AA</b>	2 Set
13	Manifold diverter			29	S-connector		
14	O - ring Ø 18,77 x 1,78	<b>A 962 529 NU</b>	1 pcs	30	Srew M4	<b>A 961 337 NU</b>	1 pcs
15	O - ring Ø 12,42 x 1,78	<b>A 961 332 NU</b>	2 pcs	31	Pin 3x10mm DIN 1474		
16	Body						

\* Universal-Set (not all parts needed)