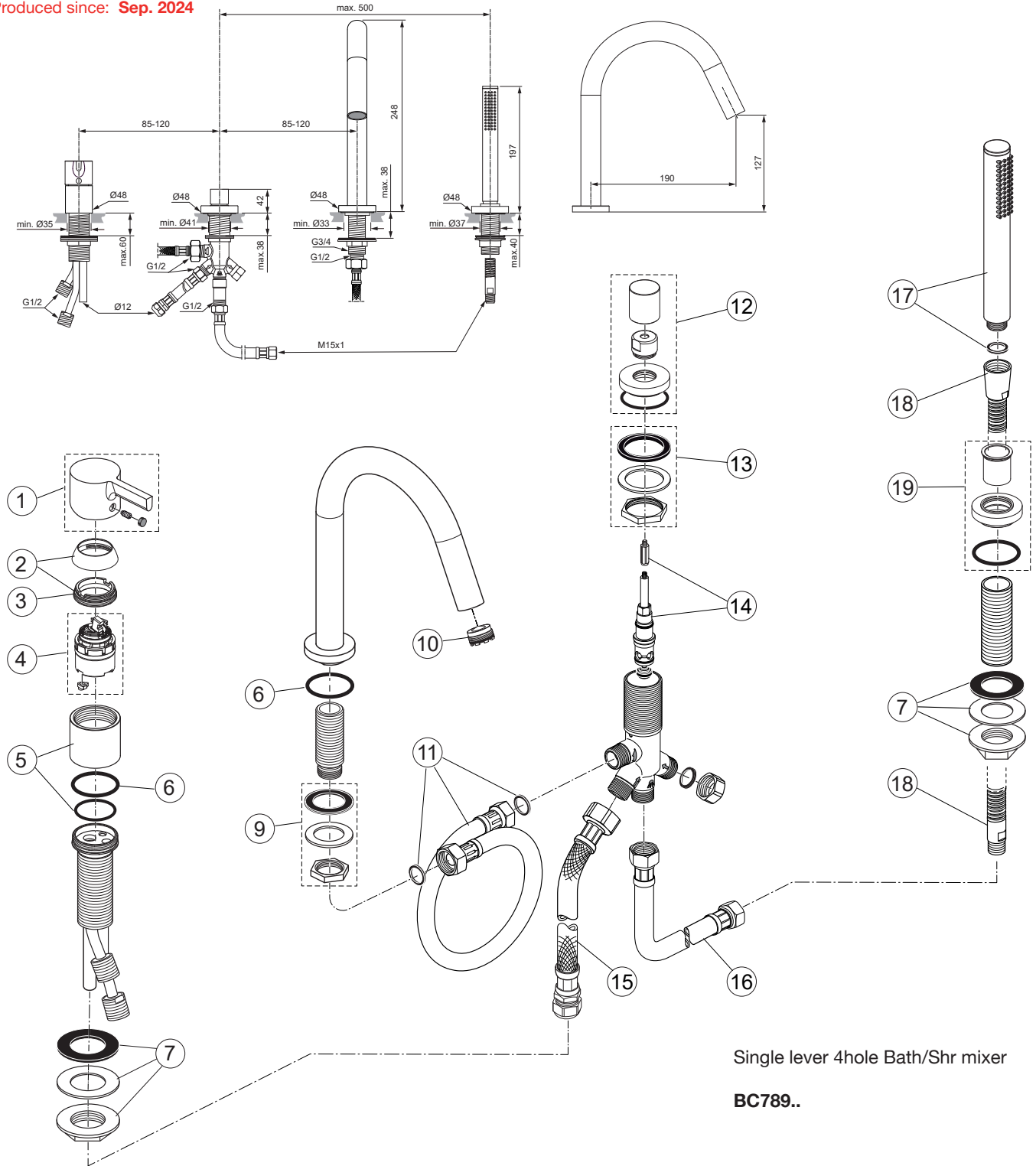


Produced since: **Sep. 2024**



Single lever 4hole Bath/Shr mixer  
**BC789..**

Replace XX with the appropriate finish code

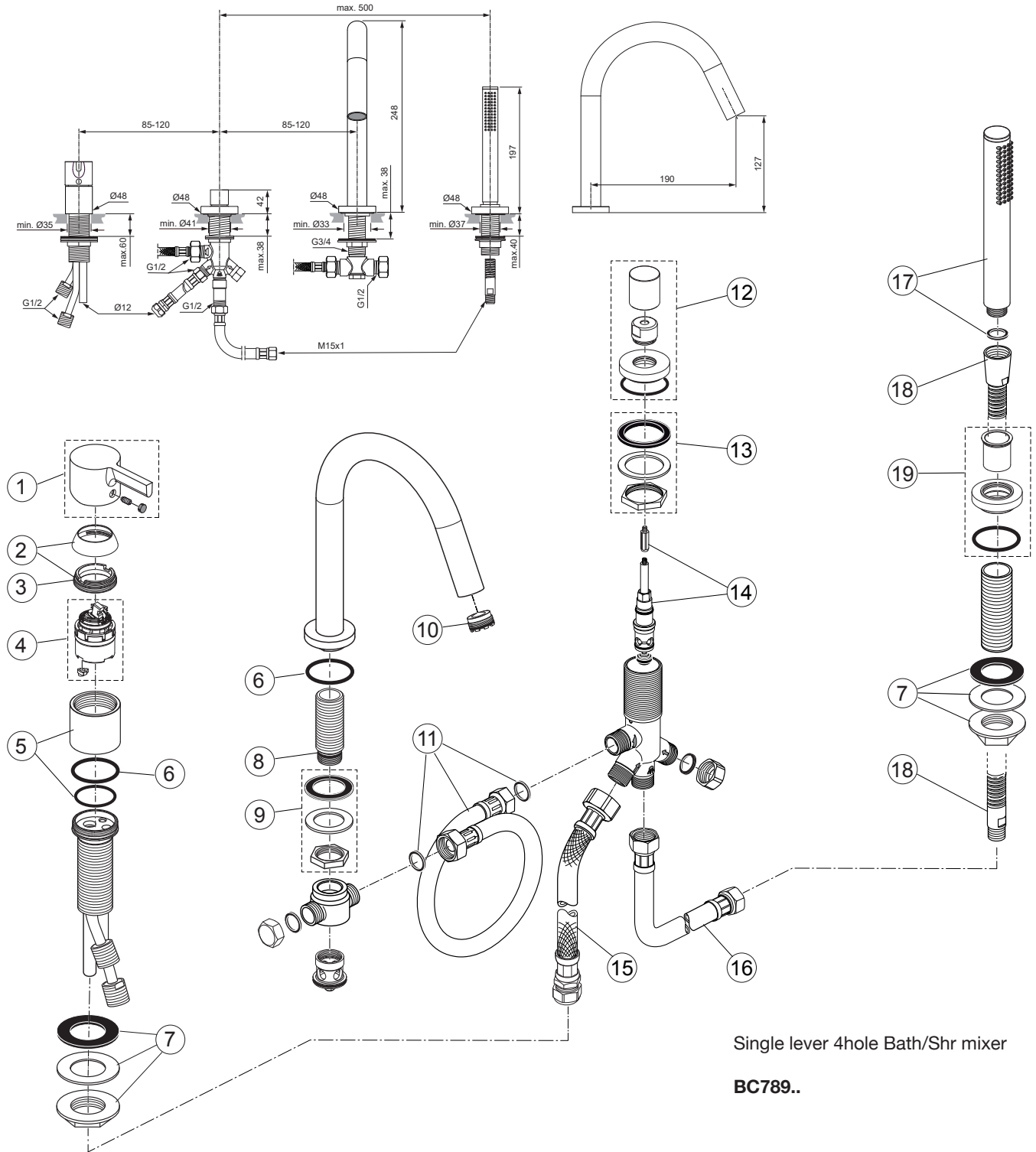
Chrome = AA Silver Storm = GN Gold = A2 Magnetic Grey = A5

Example spare part order:  
A 861 473 AA in Chrome

Pos.	Description	Part-Number	Qty.	Pos.	Description	Part-Number	Qty.
1	Lever cpl.	<b>B 961 665 XX</b>	1 Set	12	Diverter knob cpl	<b>A 861 474 XX</b>	1 Set
2	Cap M38x1.5	<b>B 961 661 XX</b>	1 Set	13	Fixation kit diverter	<b>A 963 026 NU</b>	1 Set
3	Thread ring M36x1 + Key	<b>B 961 374 NU</b>	1 Set	14	Diverter	<b>H 960 987 NU</b>	1 Set
4	Cartridge Ø38 + Key	<b>A 861 156 NU*</b>	1 Set	15	Flex. hose G1/2-Ø12-400mm	<b>A 962 823 NU</b>	1 pcs
5	Escutcheon w. O-ring	<b>A 861 473 XX</b>	1 Set	16	Flex. hose G1/2-M15x1	<b>H 960 185 NU</b>	1 Set
6	O - ring Ø 40 x 3	<b>H 962 197 NU*</b>	1 Set	17	Handspray w. Logo	<b>A 861 411 XX</b>	1 pcs
7	Fixation	<b>H 960 294 NU*</b>	1 Set	18	Shower hose G1/2-15x1	<b>H 960 440 XX</b>	1 pcs
9	Fixation kit spout	<b>A 9618 11 NU*</b>	1 Set	19	Holder f. Handspray	<b>A 861 475 XX</b>	1 Set
10	Aerator M 24 x 1 w. key	<b>A 960 395 NU*</b>	1 Set				
11	Flex. hose 2x G1/2-520mm	<b>H 960 312 NU</b>	1 Set				

\* Universal-Set (not all parts needed)

Produced since: Jan. 2020 - Aug. 2024



Single lever 4hole Bath/Shr mixer  
**BC789..**

Replace XX with the appropriate finish code

Chrome = AA Silver Storm = GN Gold = A2 Magnetic Grey = A5

Example spare part order:  
A 861 473 AA in Chrome

Pos.	Description	Part-Number	Qty.	Pos.	Description	Part-Number	Qty.
1	Lever cpl.	<b>B 961 665 XX</b>	1 Set	11	Flex. hose 2x G1/2-520mm	<b>H 960 312 NU</b>	1 Set
2	Cap M38x1.5	<b>B 961 661 XX</b>	1 Set	12	Diverter knob cpl	<b>A 861 474 XX</b>	1 Set
3	Thread ring M36x1 + Key	<b>B 961 374 NU</b>	1 Set	13	Fixation kit diverter	<b>A 963 026 NU</b>	1 Set
4	Cartridge Ø38 + Key	<b>A 861 156 NU*</b>	1 Set	14	Diverter	<b>H 960 987 NU</b>	1 Set
5	Escutcheon w. O-ring	<b>A 861 473 XX</b>	1 Set	15	Flex. hose G1/2-Ø12-400mm	<b>A 962 823 NU</b>	1 pcs
6	O - ring Ø 40 x 3	<b>H 962 197 NU*</b>	1 Set	16	Flex. hose G1/2-M15x1	<b>H 960 185 NU</b>	1 Set
7	Fixation	<b>H 960 294 NU*</b>	1 Set	17	Handspray w. Logo	<b>A 861 411 XX</b>	1 pcs
8	O - Ring Ø 17 x 2	<b>A 860 777 NU</b>	2 pcs	18	Shower hose G1/2-15x1	<b>H 960 440 XX</b>	1 pcs
9	Fixation kit spout	<b>A 9618 11 NU*</b>	1 Set	19	Holder f. Handspray	<b>A 861 475 XX</b>	1 Set
10	Aerator M 24 x 1 w. key	<b>A 960 395 NU*</b>	1 Set				

\* Universal-Set (not all parts needed)