



# Connect Air

A7008.. A7011.. A7013.. A7016.. A7017.. A7019..

Ideal Standard

Produced since: **Sept. 2023**

SL basin mixer CH3 flex. hose  
X = 107mm Y = 90 mm  
with pop-up waste  
chrome **A7008AA**

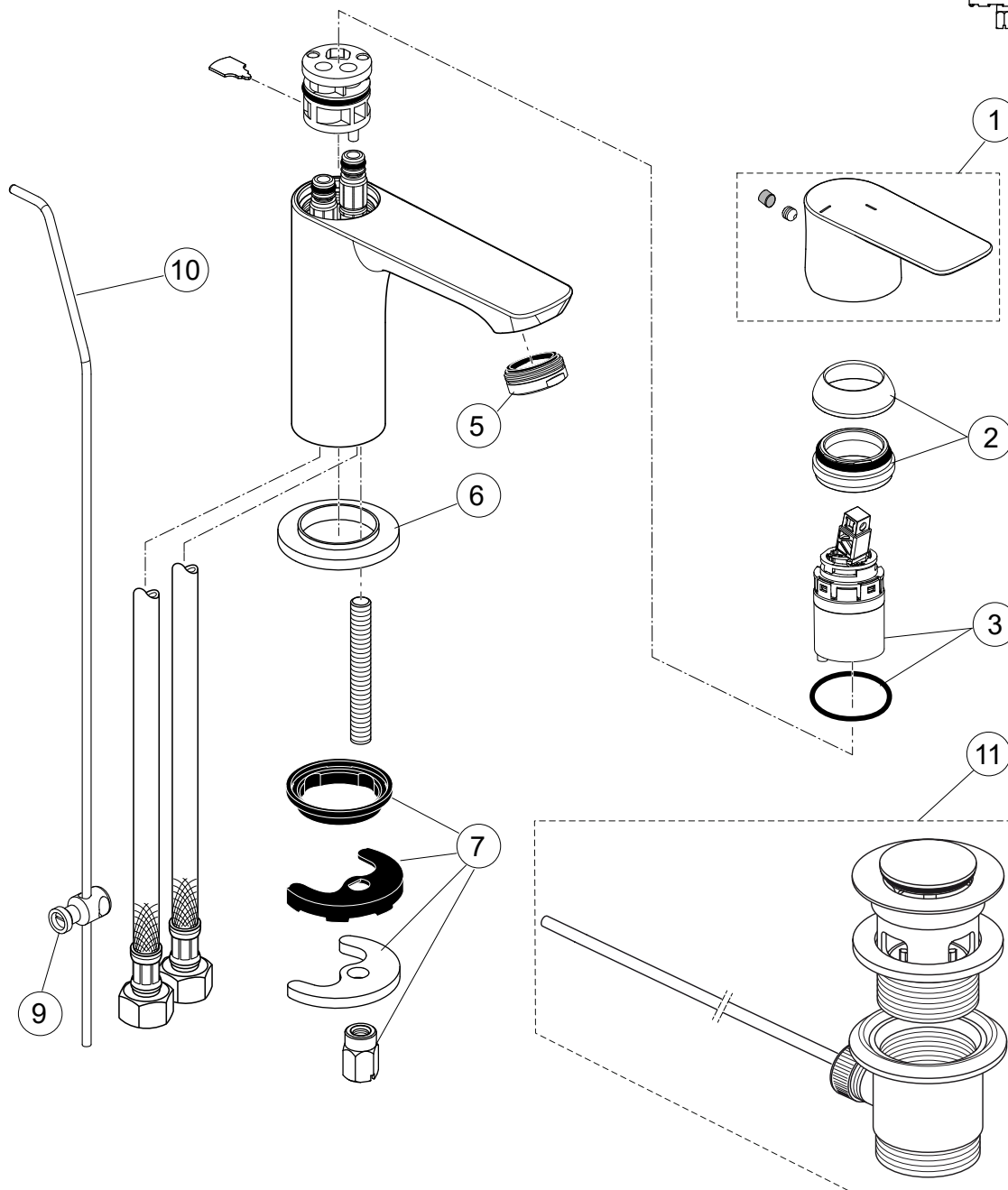
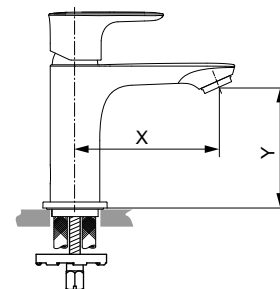
SL basin mixer CH3 flex. hose  
X = 125mm Y = 114 mm  
with pop-up waste  
chrome **A7013AA**

SL basin mixer CH3 flex. hose  
X = 90mm Y = 80 mm  
with pop-up waste  
chrome **A7017AA**

without pop-up waste  
chrome **A7011AA**

without pop-up waste  
chrome **A7016AA**

without pop-up waste  
chrome **A7019AA**



Replace XX with the appropriate finish code

Chrome = AA Silver Storm = GN Gold = A2 Magnetic Grey = A5

Example spare part order:  
**A 861 403 AA** in Chrome

Pos.	Description	Part-Number	Qty.	Pos.	Description	Part-Number	Qty.
1	Lever cpl.	<b>A 861 522 XX</b>	1 Set	*Universal set (not all parts needed)			
2	Cover cap & screw	<b>A 861 417 XX</b>	1 pcs				
3	Cartridge Kerox Ø28	<b>A 861 397 NU</b>	1 Set				
5	Aerator M24x1 - 5ltr/min	<b>B 961 383 XX</b>	1 pcs				
6	Escutcheon	<b>A 861 227 XX</b>	1 pcs				
7	Fixation kit	<b>A 964 520 NU*</b>	1 Set				
9	Bracket	<b>A 961 172 NU</b>	1 pcs				
10	Lift rod cpl. + Pos. 9	<b>B 960 900 XX</b>	1 Set				
11	Pop-up waste complete	<b>A 961 230 XX</b>	1 Set				

Connect Air



# Connect Air A7008.. A7011.. A7013.. A7016.. A7017.. A7019.. Ideal Standard

Produced since: Dec. 2020 - Aug. 2023

SL basin mixer CH3 flex. hose  
X = 107mm Y = 90 mm  
with pop-up waste  
chrome **A7008AA**

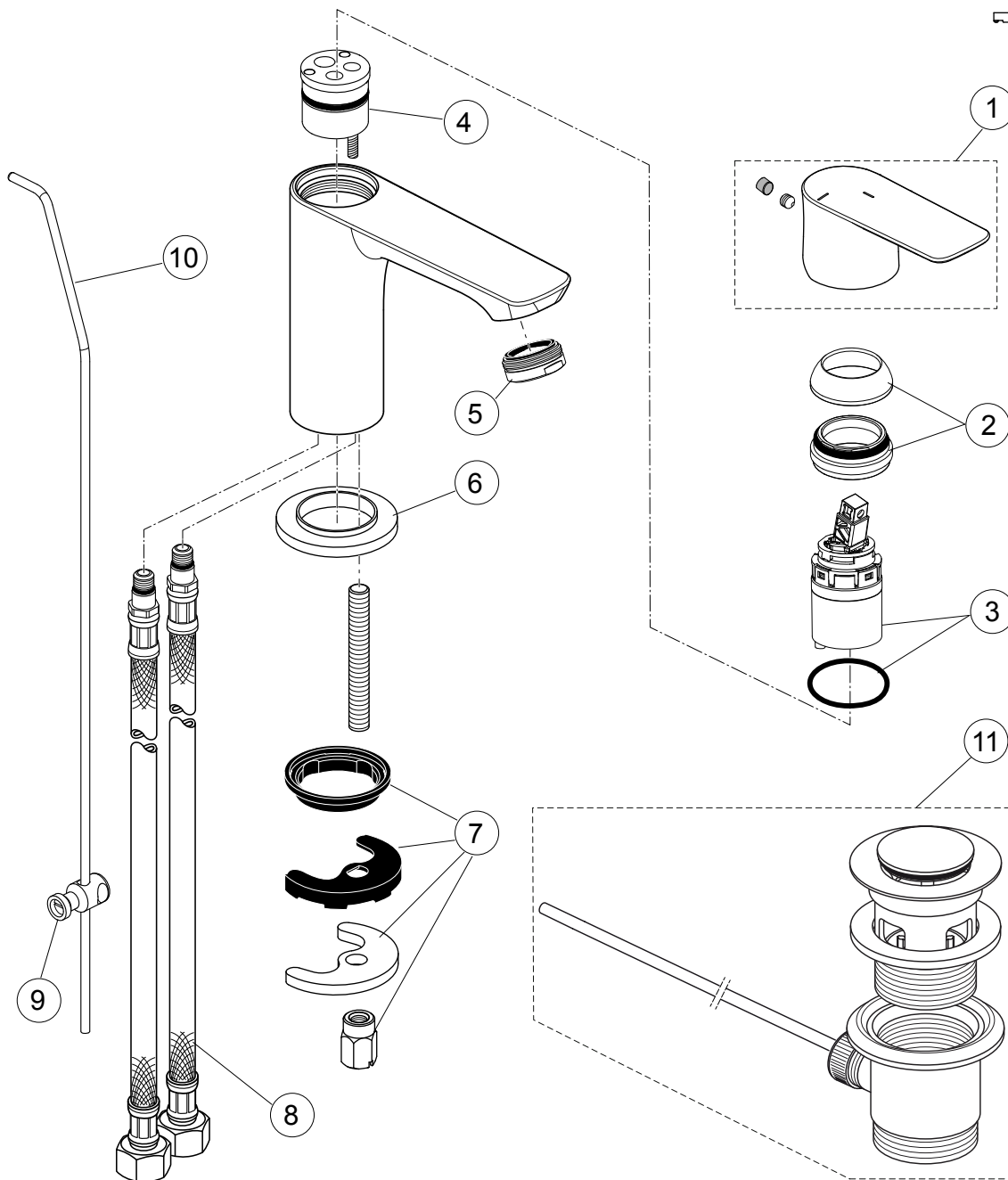
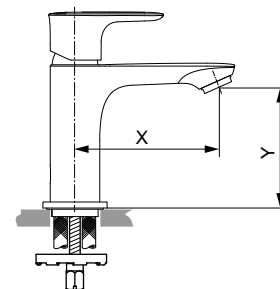
SL basin mixer CH3 flex. hose  
X = 125mm Y = 114 mm  
with pop-up waste  
chrome **A7013AA**

SL basin mixer CH3 flex. hose  
X = 90mm Y = 80 mm  
with pop-up waste  
chrome **A7017AA**

without pop-up waste  
chrome **A7011AA**

without pop-up waste  
chrome **A7016AA**

without pop-up waste  
chrome **A7019AA**



**Replace XX with the appropriate finish code**

Chrome = AA Silver Storm = GN Gold = A2 Magnetic Grey = A5

**Example spare part order:**

**A 861 403 AA** in Chrome

Pos.	Description	Part-Number	Qty.	Pos.	Description	Part-Number	Qty.
1	Lever cpl.	<b>A 861 522 XX</b>	1 Set	11	Pop-up waste complete	<b>A 961 230 XX</b>	1 Set
2	Cover cap & screw	<b>A 861 417 XX</b>	1 pcs		<i>*Universal set (not all parts needed)</i>		
3	Cartridge Kerox Ø28	<b>A 861 397 NU</b>	1 Set				
4	O - Ring Ø 23,52 x 1,78	<b>A 961 855 NU</b>	1 pcs				
5	Aerator M24x1 - 5ltr/min	<b>B 961 383 XX</b>	1 pcs				
6	Escutcheon	<b>A 861 227 XX</b>	1 pcs				
7	Fixation kit	<b>A 964 520 NU*</b>	1 Set				
8	Flex. hose M8x1-G3/8-425	<b>A 962 370 NU</b>	1 pcs				
9	Bracket	<b>A 961 172 NU</b>	1 pcs				
10	Lift rod cpl. + Pos. 9	<b>B 960 900 XX</b>	1 Set				

**Connect Air**



# Connect Air

A7008.. A7011.. A7013.. A7016.. A7017.. A7019..

Ideal Standard

Produced since: **Nov. 2019 - Dec. 2020**

SL basin mixer CH3 flex. hose  
X = 107mm Y = 90 mm  
with pop-up waste  
chrome **A7008AA**

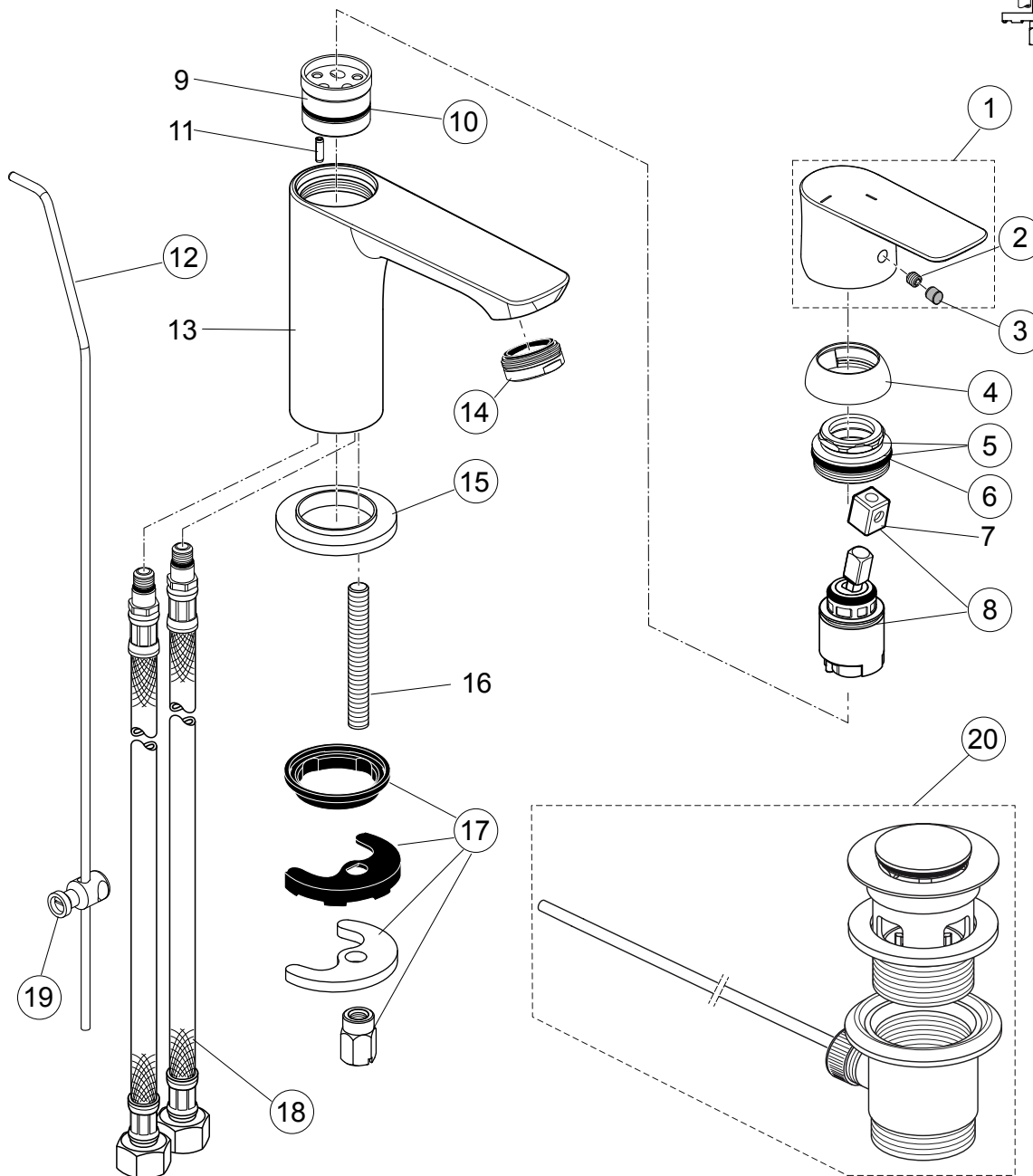
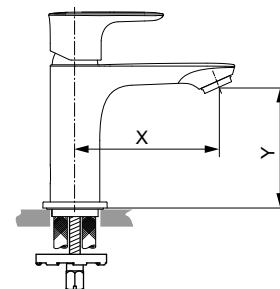
SL basin mixer CH3 flex. hose  
X = 125mm Y = 114 mm  
with pop-up waste  
chrome **A7013AA**

SL basin mixer CH3 flex. hose  
X = 90mm Y = 80 mm  
with pop-up waste  
chrome **A7017AA**

without pop-up waste  
chrome **A7011AA**

without pop-up waste  
chrome **A7016AA**

without pop-up waste  
chrome **A7019AA**



**Replace XX with the appropriate finish code**

Chrome = AA Silver Storm = GN Gold = A2 Magnetic Grey = A5

**Example spare part order:**

**A 861 403 AA** in Chrome

Pos.	Description	Part-Number	Qty.	Pos.	Description	Part-Number	Qty.
1	Lever cpl. + pos.7	<b>A 861 403 XX</b>	1 Set	12	Lift rod cpl. + Pos. 19	<b>B 960 900 XX</b>	1 Set
2	Thread pin M5x5 DIN916	<b>A 962 041 NU*</b>	1 Set	13	Body		
3	Handle plug	<b>A 861 223 NU*</b>	1 Set	14	Aerator M24x1 - 5ltr/min	<b>B 961 383 XX</b>	1 pcs
4	Cover cap	<b>A 861 224 XX</b>	1 pcs	15	Escutcheon	<b>A 861 227 XX</b>	1 pcs
5	Thread ring M30x1 + pos.6	<b>A 861 225 NU</b>	1 Set	16	Bolt M8x63		
6	O - Ring Ø 28 x 2	<b>A 963 299 NU</b>	1 pcs	17	Fixation kit	<b>A 964 520 NU*</b>	1 Set
7	Lever adapter			18	Flex. hose M8x1-G3/8-425	<b>A 962 370 NU</b>	1 pcs
8	Cartridge Kerox Ø25 + Pos.7	<b>A 861 226 NU</b>	1 Set	19	Bracket	<b>A 961 172 NU</b>	1 pcs
9	Manifold			20	Pop-up waste complete	<b>A 961 230 XX</b>	1 Set
10	O - Ring Ø 23,52 x 1,78	<b>A 961 855 NU</b>	1 pcs				
11	Clamping pin						

\*Universal set (not all parts needed)

# Connect Air A7008.. A7011.. A7013.. A7016.. A7017.. A7019..



Produced since: **Aug.2017 - Oct.2019**

SL basin mixer CH3 flex. hose  
X = 107mm Y = 90 mm  
with pop-up waste  
chrome **A7008AA**

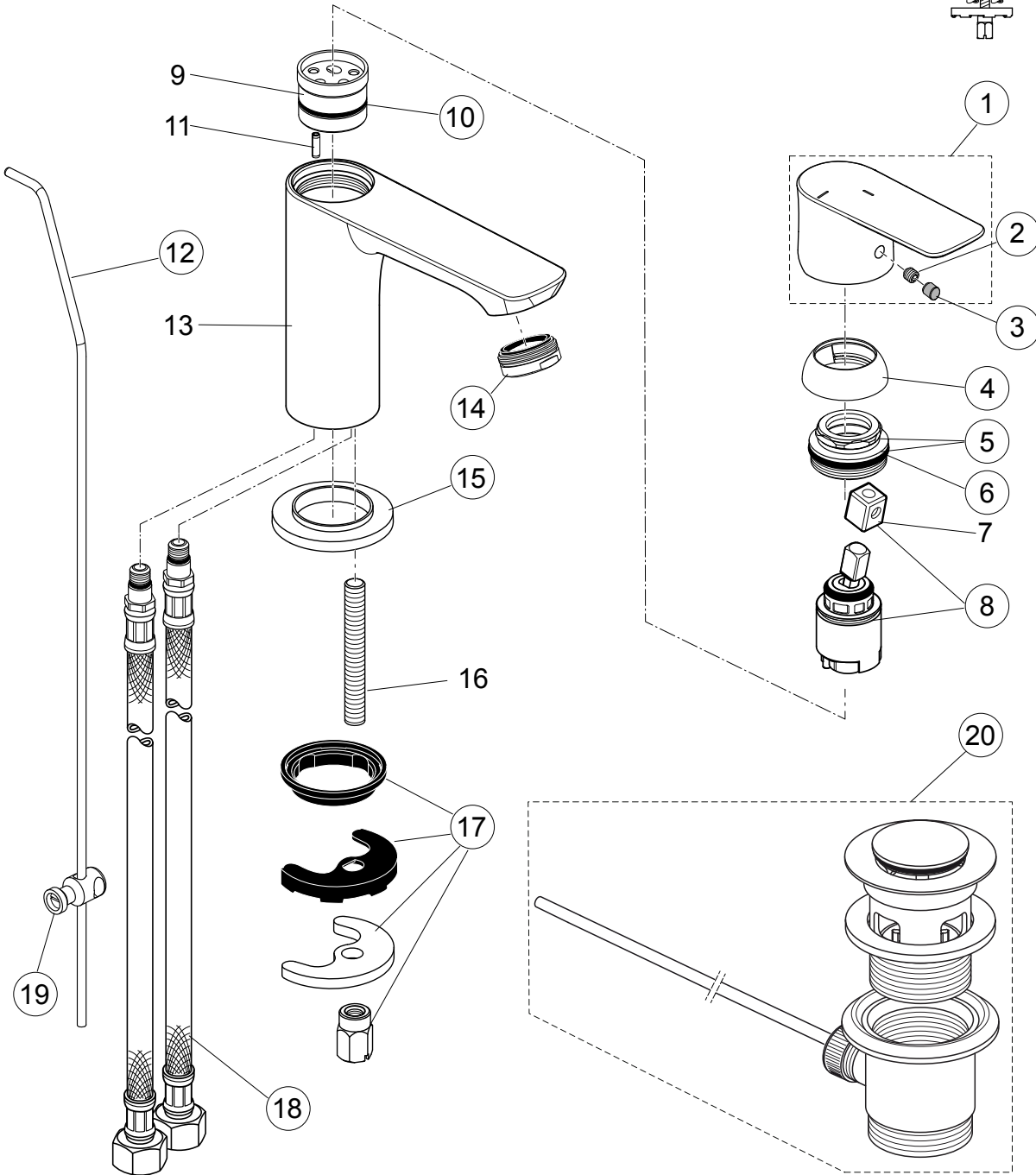
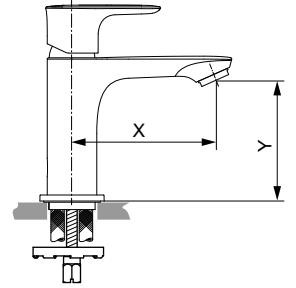
SL basin mixer CH3 flex. hose  
X = 125mm Y = 114 mm  
with pop-up waste  
chrome **A7013AA**

SL basin mixer CH3 flex. hose  
X = 90mm Y = 80 mm  
with pop-up waste  
chrome **A7017AA**

without pop-up waste  
chrome **A7011AA**

without pop-up waste  
chrome **A7016AA**

without pop-up waste  
chrome **A7019AA**



Pos.	Description	Part-Number	Qty.	Pos.	Description	Part-Number	Qty.
1	Lever cpl. w. Logo ISI + pos.7	<b>A 861 228 AA</b>	1 Set	12	Lift rod cpl. + Pos. 19	<b>A 861 210 AA</b>	1 Set
2	Thread pin M5x5 DIN916	<b>A 962 041 NU*</b>	1 Set	13	Body		
3	Handle plug	<b>A 861 223 NU*</b>	1 Set	14	Aerator M24x1 - 5ltr/min	<b>B 961 383 AA</b>	1 pcs
4	Cover cap	<b>A 861 224 AA</b>	1 pcs	15	Escutcheon	<b>A 861 227 AA</b>	1 pcs
5	Thread ring M30x1 + pos.6	<b>A 861 225 NU</b>	1 Set	16	Bolt M8x63		
6	O - Ring Ø 28 x 2	<b>A 963 299 NU</b>	1 pcs	17	Fixation kit	<b>A 964 520 NU*</b>	1 Set
7	Lever adapter			18	Flex. hose M8x1-G3/8-425	<b>A 962 370 NU</b>	1 pcs
8	Cartridge Kerox Ø25 + Pos.7	<b>A 861 226 NU</b>	1 Set	19	Bracket	<b>A 961 172 NU</b>	1 pcs
9	Manifold			20	Pop-up waste complete	<b>B 960 853 AA</b>	1 Set
10	O - Ring Ø 23,52 x 1,78	<b>A 961 855 NU</b>	1 pcs				
11	Clamping pin						

\*Universal set (not all parts needed)