



CeraTherm 100

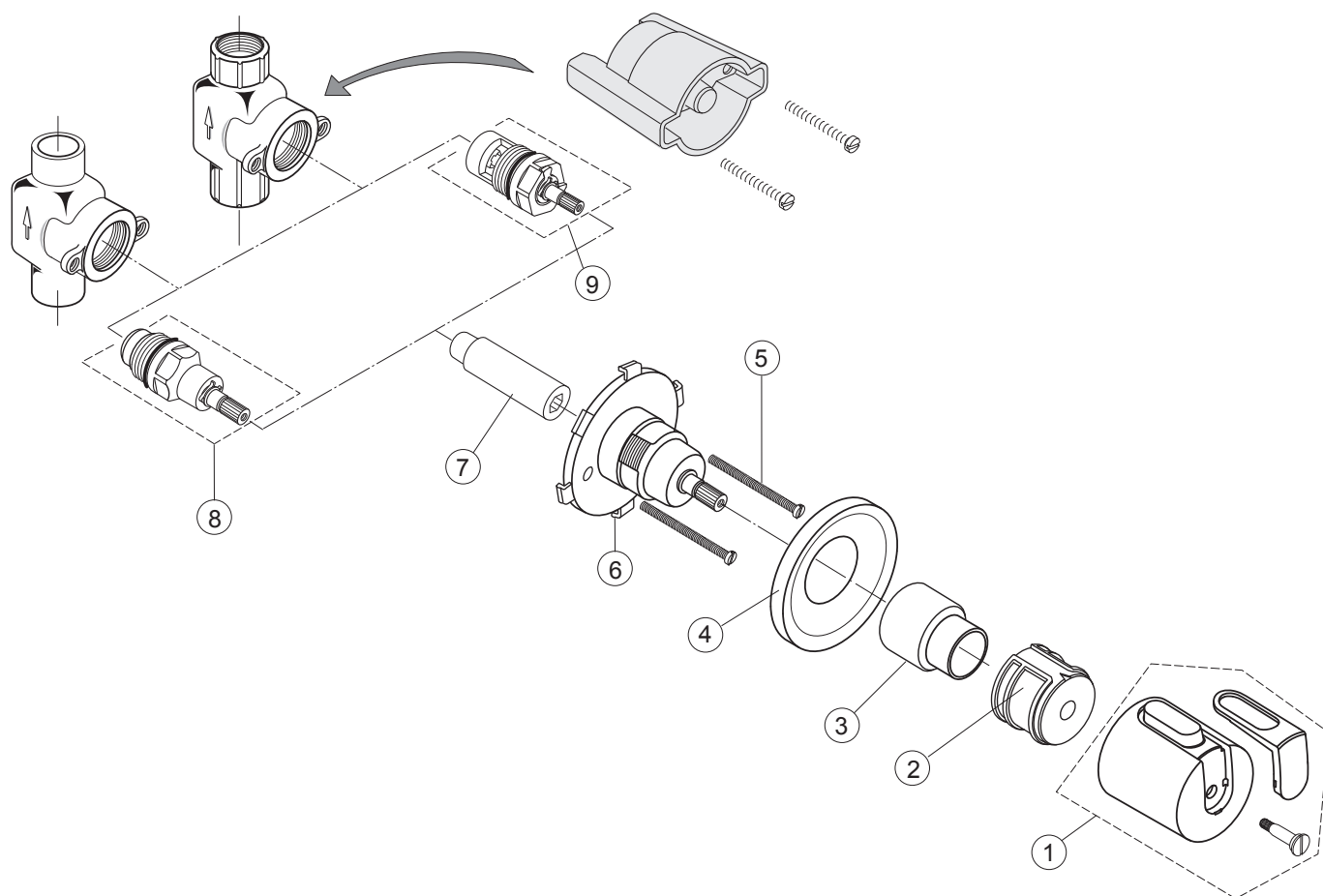
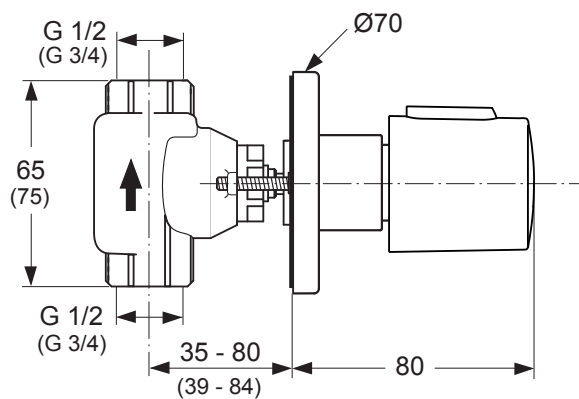
A4656..

Ideal Standard

Produced from: Dec. 2020

Design parts Kit 2
chrome

A4656AA



Pos.	Description	Part-Number	Qty.	Pos.	Description	Part-Number	Qty.
1	Handle complete	A 962 950 AA	1 pcs	9	Headwork (cartridge)	A 963 003 NU	1 pcs
2	Handle insert	A 963 432 NU*	1 pcs				
3	Cover cap	A 963 286 AA	1 pcs				
4	Escutcheon + pos. 8	A 963 249 AA*	1 Set				
5	Screw M4 x 57	A 963 177 NU	3 pcs				
6	Escutcheon holder	A 963 246 NU	1 pcs				
7	Spindle extension	A 963 247 NU	1 pcs				
8	Headwork G1/2 (rubber)	A 961 214 NU	1 pcs				
	Headwork G3/4 (rubber)	A 963 284 NU	1 pcs				

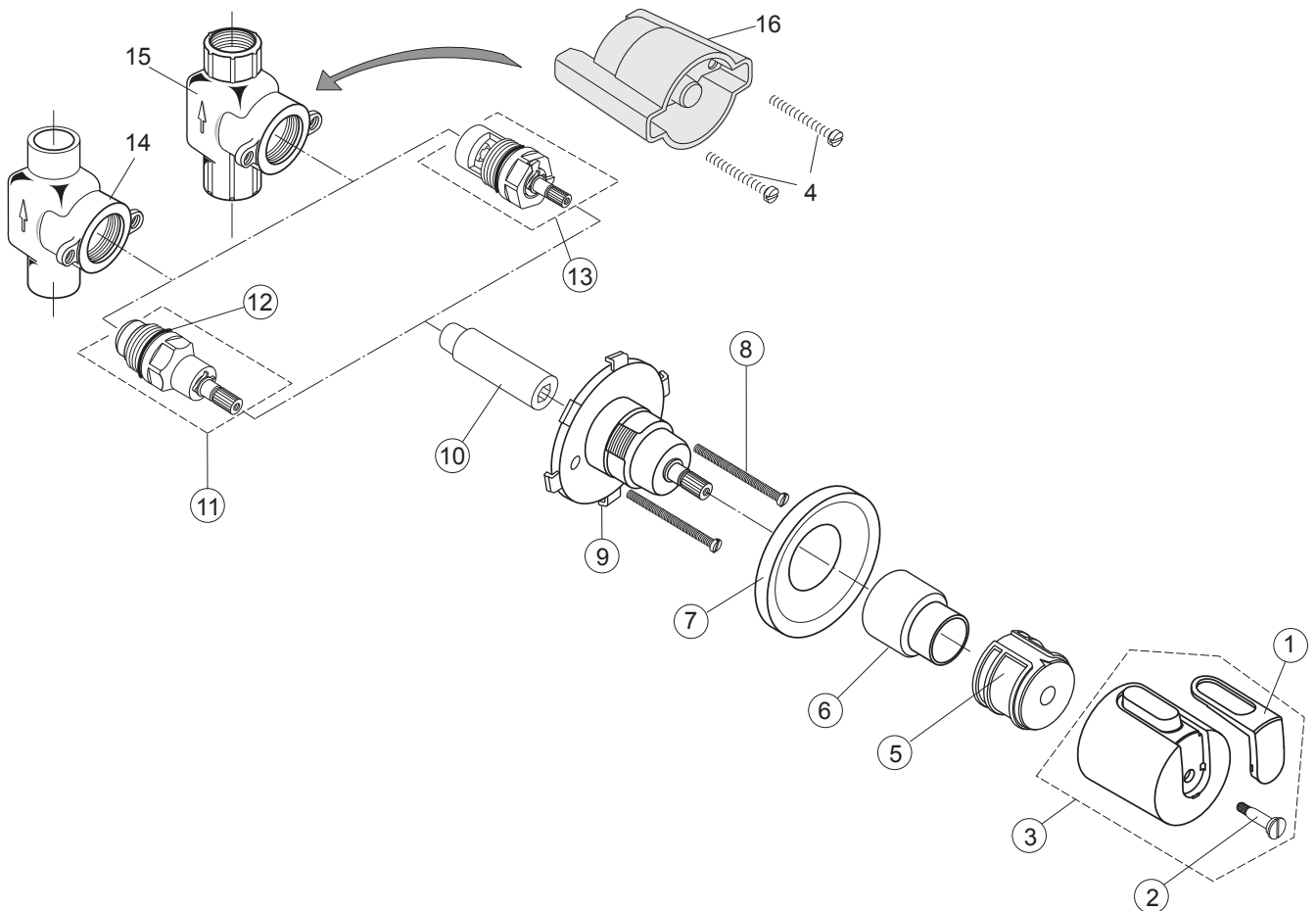
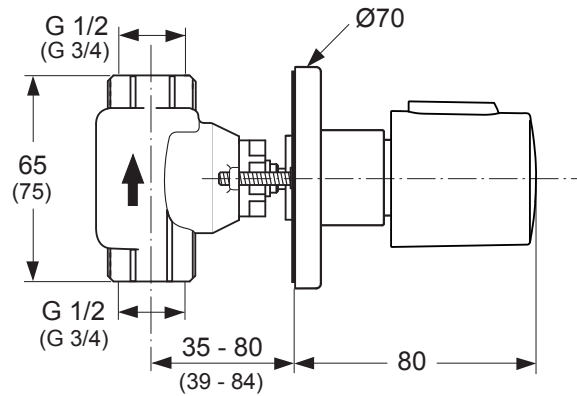
* Universal-Set

CeraTherm

Produced from: April 2010 - Nov. 2020

Design parts Kit 2
chrome

A4656AA



Pos.	Description	Part-Number	Qty.	Pos.	Description	Part-Number	Qty.
1	Cap for handle with and with out Logo	A 962 872 AA	1 Set	10	Spindle extension	A 963 247 NU	1 pcs
2	Screw M4 x 23,5	A 962 998 NU	2 pcs	11	Headwork G1/2 (rubber)	A 961 214 NU	1 pcs
3	Handle complete	A 962 950 AA	1 pcs		Headwork G3/4 (rubber)	A 963 284 NU	1 pcs
4	Cylindrical screw M4 x 35			12	O - ring Ø 18,2 x 1,7	A 961 640 NU	2 pcs
5	Handle insert	A 963 432 NU*	1 pcs	13	Headwork (cartridge)	A 963 003 NU	1 pcs
6	Cover cap	A 963 286 AA	1 pcs	14	Body for soldering		
7	Escutcheon + pos. 8	A 963 249 AA*	1 Set	15	Body with Thread		
8	Screw M4 x 57	A 963 177 NU	3 pcs	16	Plaster guard		
9	Escutcheon holder	A 963 246 NU	1 pcs				

* Universal-Set