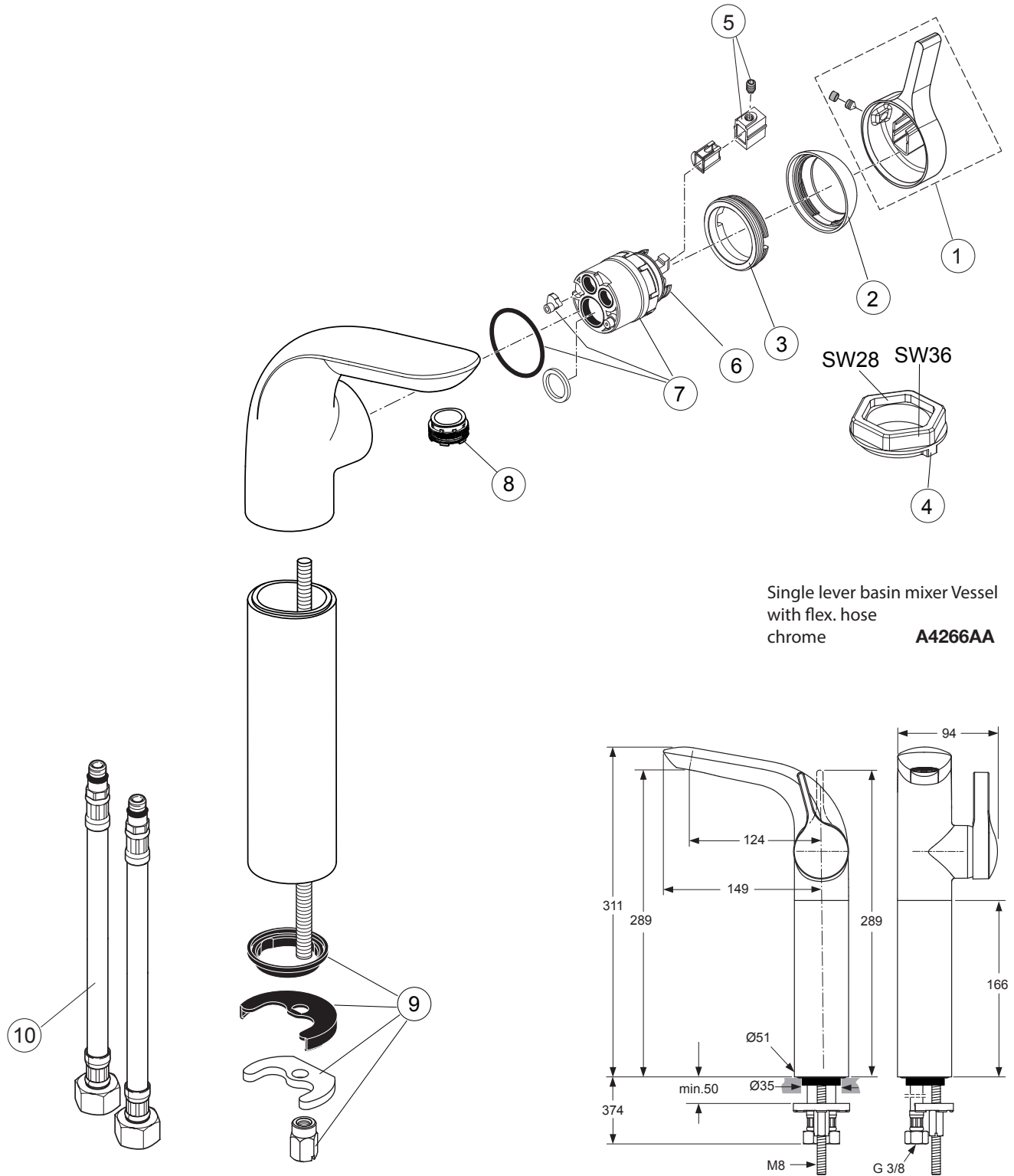


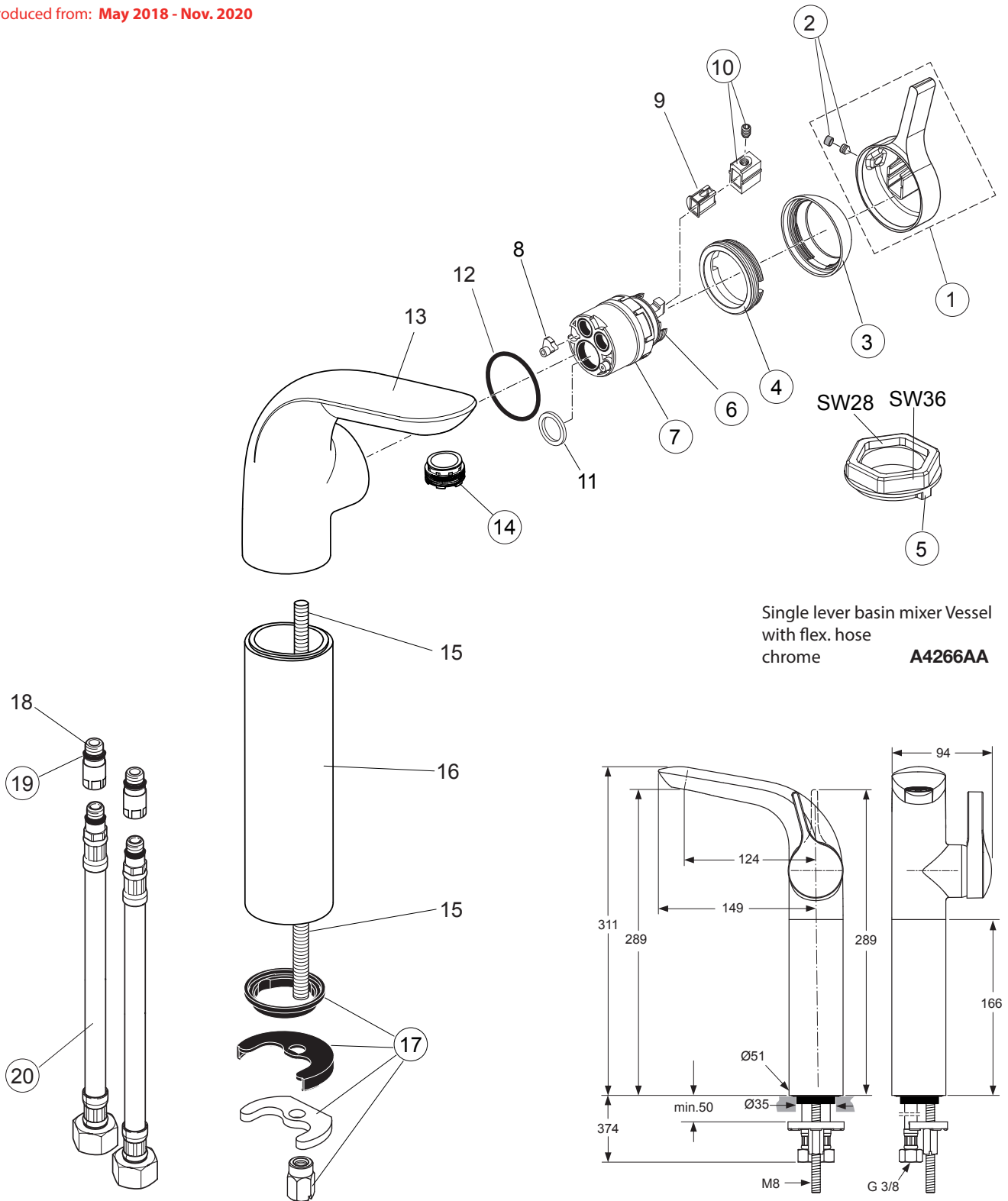
Produced from: Dec 2020



Single lever basin mixer Vessel  
with flex. hose  
chrome **A4266AA**

Pos.	Description	Part-Number	Qty.	Pos.	Description	Part-Number	Qty.
1	Lever cpl. with Logo ISI	<b>A 861 316 AA</b>	1 Set	9	Fixation-set	<b>A 960 001 NU</b>	1 pcs
2	Cover cap	<b>B 961 373 AA</b>	1 pcs	10	Flex. hose M10x1 / G3/8	<b>A 963 685 NU</b>	1 pcs
3	Thread ring M36x1 + Key	<b>B 961 374 NU</b>	1 pcs	<i>*Universal set (not all parts needed)</i>			
4	Key for pos. 3	<b>B 960 650 NU</b>	1 pcs				
5	Handle adapter + thread pin	<b>A 861 317 NU</b>	1 Set				
6	Hot limit stop	<b>A 861 181 NU</b>	1 pcs				
7	Cartridge Ø38 + Pos. 4	<b>A 861 156 NU*</b>	1 Set				
8	Aerator M24x1	<b>A 962 058 NU</b>	1 pcs				
	Aerator key for Pos. 14	<b>A 960 196 NU</b>	1 pcs				

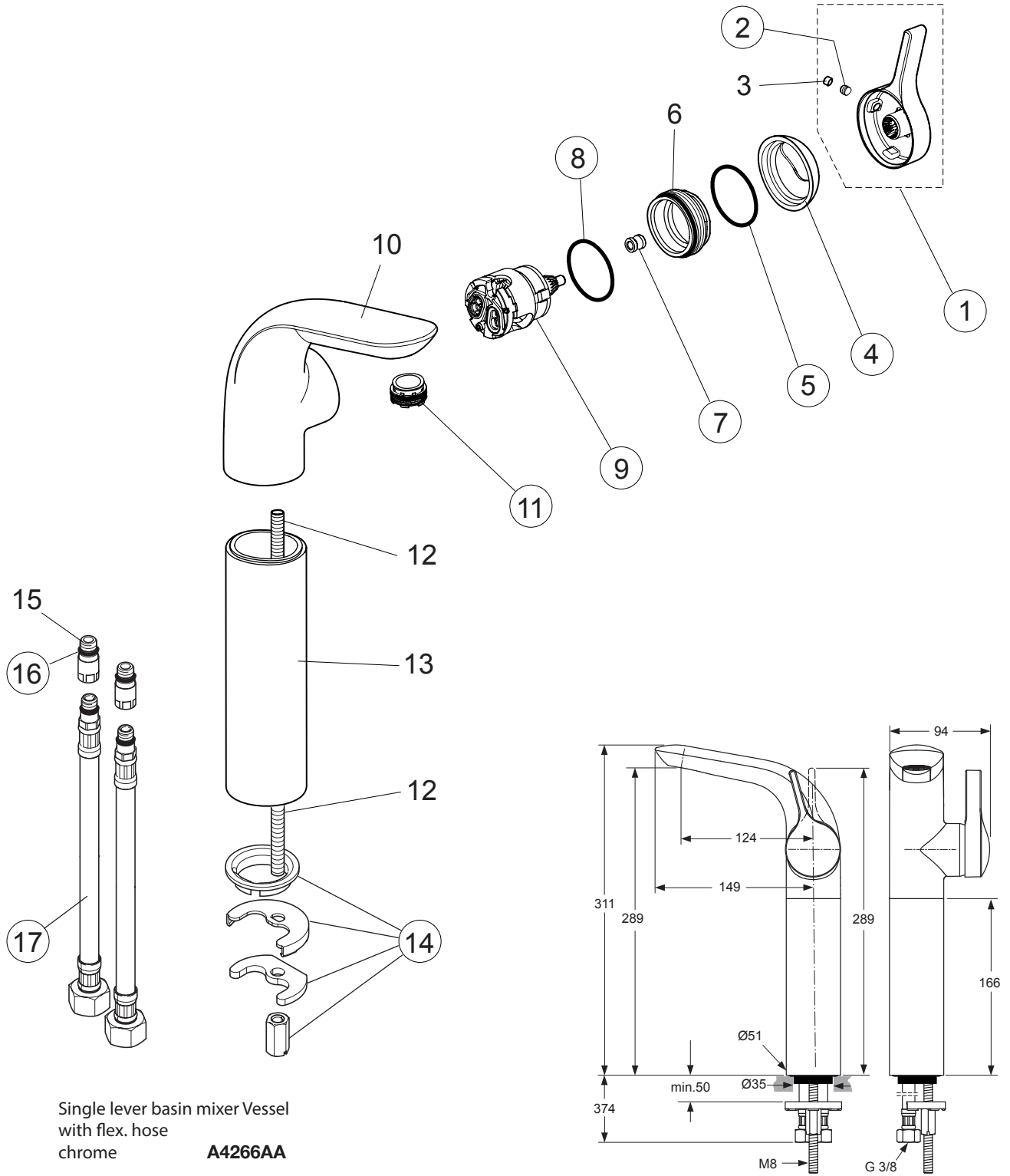
Produced from: **May 2018 - Nov. 2020**



Pos.	Description	Part-Number	Qty.	Pos.	Description	Part-Number	Qty.
1	Lever cpl. with Logo ISI	<b>A 861 316 AA</b>	1 Set	13	Body		
2	Thread pin M5x6 + Cap	<b>A 962 041 NU*</b>	1 Set	14	Aerator M24x1	<b>A 962 058 NU</b>	1 pcs
3	Cover cap	<b>B 961 373 AA</b>	1 pcs		Aerator key for Pos. 14	<b>A 960 196 NU</b>	1 pcs
4	Thread ring M36x1 + Key	<b>B 961 374 NU</b>	1 pcs	15	Stud M8 x 270		
5	Key for pos. 4	<b>B 960 650 NU</b>	1 pcs	16	Extension Ø51		
6	Hot limit stop	<b>A 861 181 NU</b>	1 pcs	17	Fixation-set	<b>A 960 001 NU</b>	1 pcs
7	Cartridge Ø38 + Pos. 5 + 8	<b>A 861 156 NU*</b>	1 Set	18	Nipple M12x1 A / M10x1 I	<b>A 963 395 NU</b>	2 pcs
8	Pin (contained in Pos. 7)			19	O - Ring Ø 9,25 x 1,78	<b>A 963 685 NU</b>	1 pcs
9	Insert (contained in Pos. 7)			20	Flex. hose M10x1 / G3/8	<b>A 962 276 NU</b>	1 pcs
10	Handle adapter + thread pin	<b>A 861 317 NU</b>	1 Set		Flex. hose M12x1 / G3/8	<b>A 962 276 NU</b>	1 pcs
11	Support ring						
12	O - ring Ø 38 x 2.5 (contained in Pos. 7)						

\*Universal set (not all parts needed)

Produced from: Jan. 2008 - April 2018



Single lever basin mixer Vessel  
with flex. hose  
chrome **A4266AA**

Pos.	Description	Part-Number	Qty.	Pos.	Description	Part-Number	Qty.
1	Lever cpl. with Logo IS	<b>A 962 068 AA</b>	1 pcs	11	Aerator M24x1	<b>A 962 058 NU</b>	1 pcs
2	Thread pin M5x6 DIN914	<b>A 963 667 NU</b>	1 pcs		Aerator key for Pos. 11	<b>A 960 196 NU</b>	1 pcs
3	Cover shield	<b>A 963 751 NU</b>	1 pcs	12	Stud M8 x 270		
4	Cartr. Cover (Cap)	<b>A 961 485 AA</b>	1 pcs	13	Extension Ø51		
5	O - Ring Ø 28,3 x 1,78	<b>A 961 667 NU</b>	2 pcs	14	Fixation-set	<b>A 960 001 NU</b>	1 pcs
6	Clamping nut M43 x 1,5			15	Nipple M12x1 A / M10x1 I		
7	Nut f. handle adaption	<b>A 963 372 NU</b>	1 pcs	16	O - Ring Ø 9,25 x 1,78	<b>A 963 395 NU</b>	2 pcs
8	O - Ring Ø 35 x 3,2	<b>A 962 715 NU</b>	1 pcs	17	Flex. hose M10x1 / G3/8	<b>A 963 685 NU</b>	1 pcs
9	Cartridge Multiport cpl.	<b>A 962 985 NU</b>	1 pcs		Flex. hose M12x1 / G3/8	<b>A 962 276 NU</b>	1 pcs
10	Body						