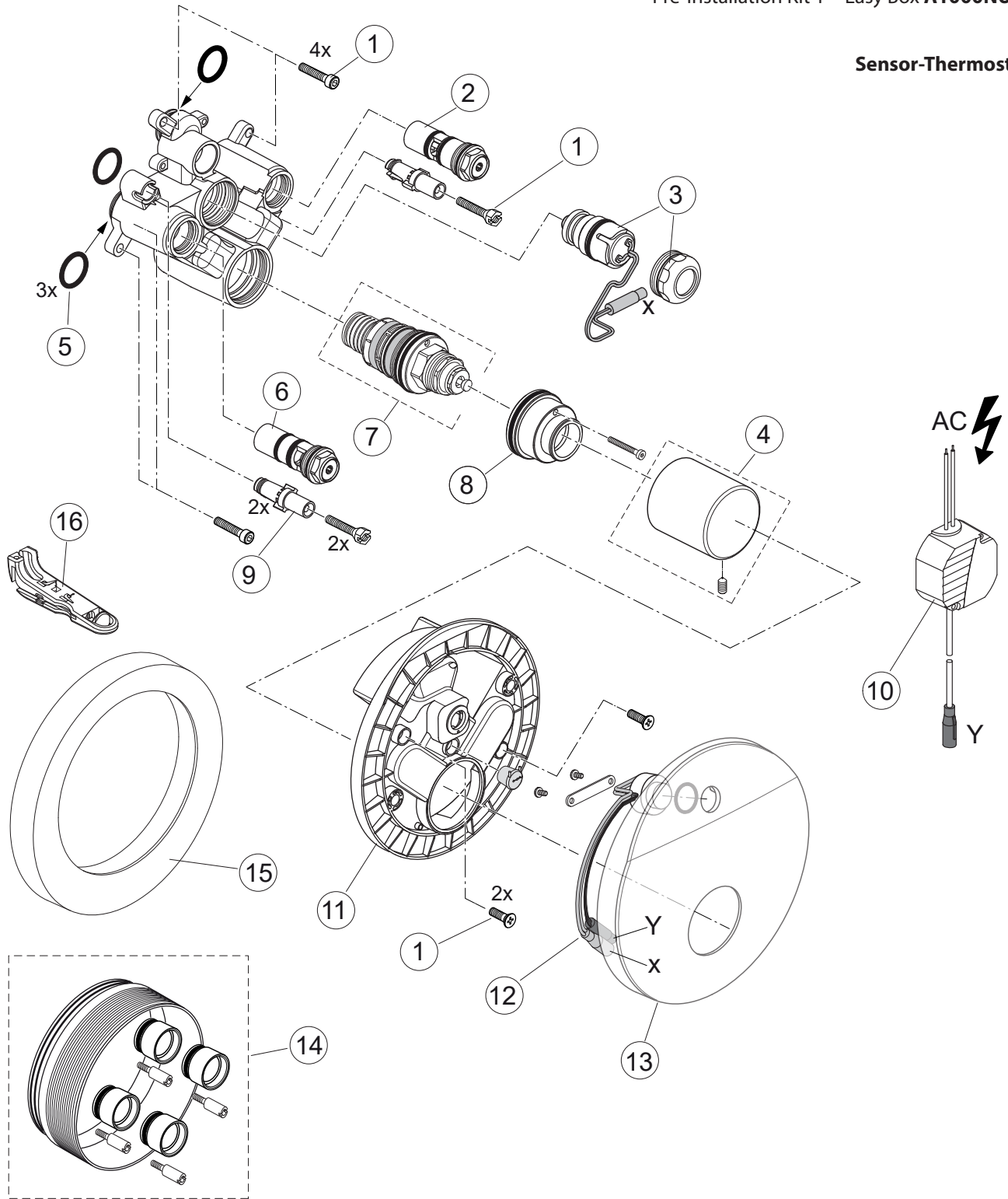
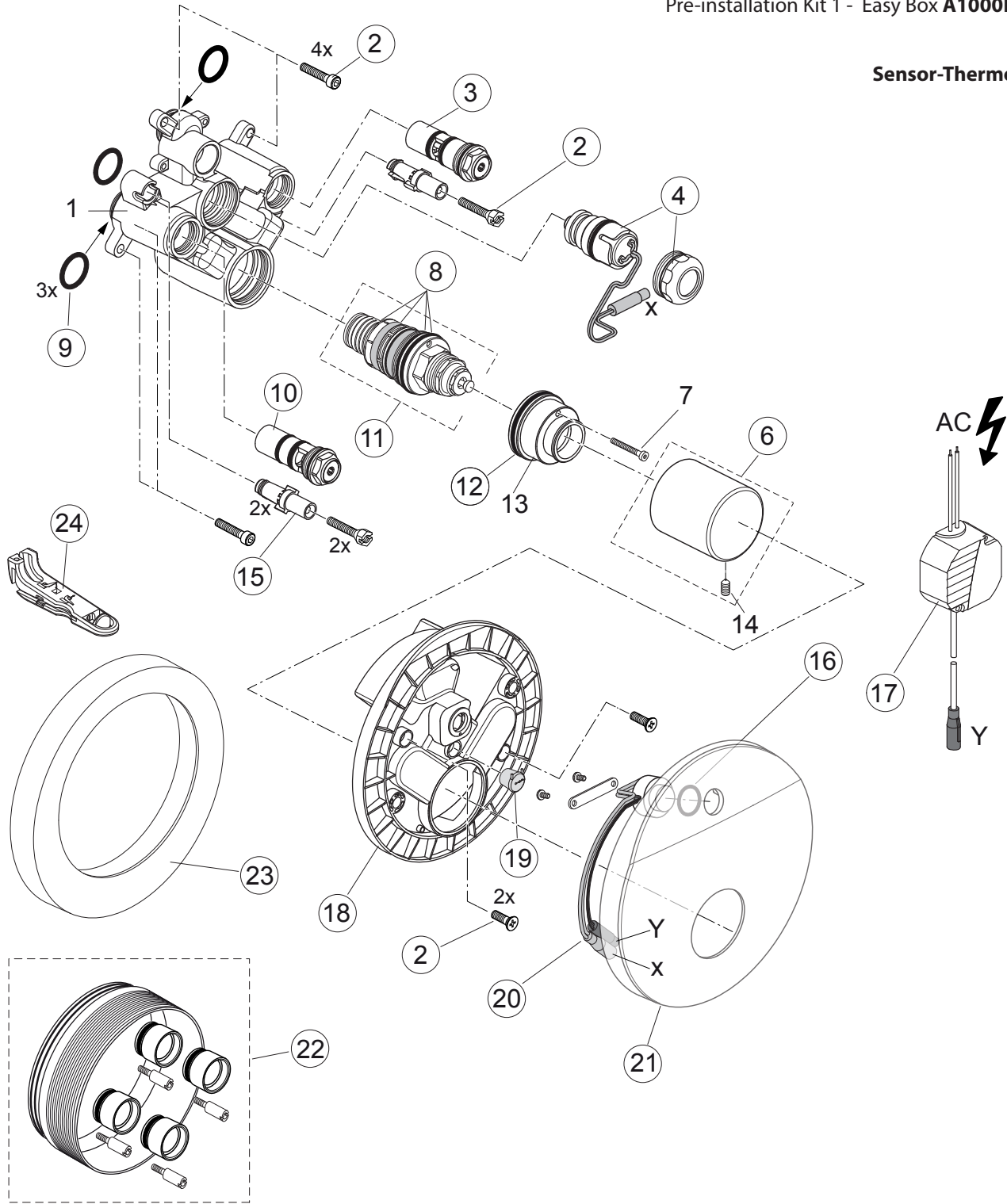


Sensor-Thermostat.



Pos.	Description	Part-Number	Qty.	Pos.	Description	Part-Number	Qty.
1	Screw set complete	<b>A 960 890 NU</b>	1 Set	12	Sensor complete + Pos.16	<b>A 861 704 NU</b>	1 Set
2	Stop valve (hot)	<b>F 961 052 NU</b>	1 pcs	13	Escutcheon	<b>F 961 073 AA</b>	1 pcs
3	Solenoidvalve 6V G1/2	<b>F 961 050 NU</b>	1 pcs	14	Extension kit 20mm	<b>A 960 704 NU</b>	1 Set
4	Cover cpl.	<b>F 961 068 AA</b>	1 Set	15	Extension kit 40mm	<b>A 962 476 NU</b>	1 Set
5	O-ring Ø 17,5 x 2,5	<b>A 963 146 NU</b>	1 Set	15	Distance frame	<b>F 961 057 AA</b>	1 pcs
6	Stop valve (cold)	<b>F 961 049 NU</b>	1 pcs				
7	Cart. therm. desinf. + Pos 24	<b>F 961 069 NU</b>	1 Set	16	Handle lever f. Desinf. (included in Pos 7)	<b>F 961 070 NU</b>	1 pcs
8	O-ring Ø 37,77 x 2,62	<b>A 962 574 NU</b>	1 pcs				
9	Adapter srew M5	<b>F 960 903 NU</b>	2 pcs				
10	AC-Adapter / 6,5V DC / 1A	<b>F 961 024 NU</b>	1 pcs				
	Extension cable 2 m	<b>A 960 635 NU</b>	1 pcs				
11	Escutcheon holder cpl.	<b>F 961 054 NU</b>	1 pcs				

Sensor-Thermostat.



Pos.	Description	Part-Number	Qty.	Pos.	Description	Part-Number	Qty.
1	Body Thermostat			15	Adapter srew M5	<b>F 960 903 NU</b>	2 pcs
2	Screw set complete	<b>A 960 890 NU</b>	1 Set	16	O - Ring Ø 15,6 x 1,78	<b>A 961 182 NU</b>	2 pcs
3	Stop valve (hot)	<b>F 961 052 NU</b>	1 pcs	17	AC-Adapter / 6,5V DC / 1A	<b>F 961 024 NU</b>	1 pcs
4	Solenoidvalve 6V G1/2*	<b>F 961 050 NU</b>	1 pcs		Extension cable 2 m	<b>A 960 635 NU</b>	1 pcs
	* special tool required	<b>A 861 257 NU</b>	1 pcs	18	Escutcheon holder cpl.	<b>F 961 054 NU</b>	1 pcs
6	Cover cpl.	<b>F 961 068 AA</b>	1 Set	19	Cable grommet	<b>F 961 074 NU</b>	2 pcs
7	Screw M43x 25 Din 7984			20	Sensor complete + Pos.16	<b>F 961 053 NU</b>	1 Set
8	Repair set	<b>A 962 230 NU</b>	1 Set	21	Escutcheon	<b>F 961 073 AA</b>	1 pcs
9	O-ring Ø 17,5 x 2,5	<b>A 963 143 NU</b>	1 Set	22	Extension kit 20mm	<b>A 960 704 NU</b>	1 Set
10	Stop valve (cold)	<b>F 961 049 NU</b>	1 pcs		Extension kit 40mm	<b>A 962 476 NU</b>	1 Set
11	Cart. therm. desinf. + Pos 24	<b>F 961 069 NU</b>	1 Set	23	Distance frame	<b>F 961 057 AA</b>	1 pcs
12	O-ring Ø 37,77 x 2,62	<b>A 962 574 NU</b>	1 pcs	24	Handle lever f. Desinf.	<b>F 961 070 NU</b>	1 pcs
13	Adapter				(included in Pos 11)		
14	Thread pin M4x8 DIN914						