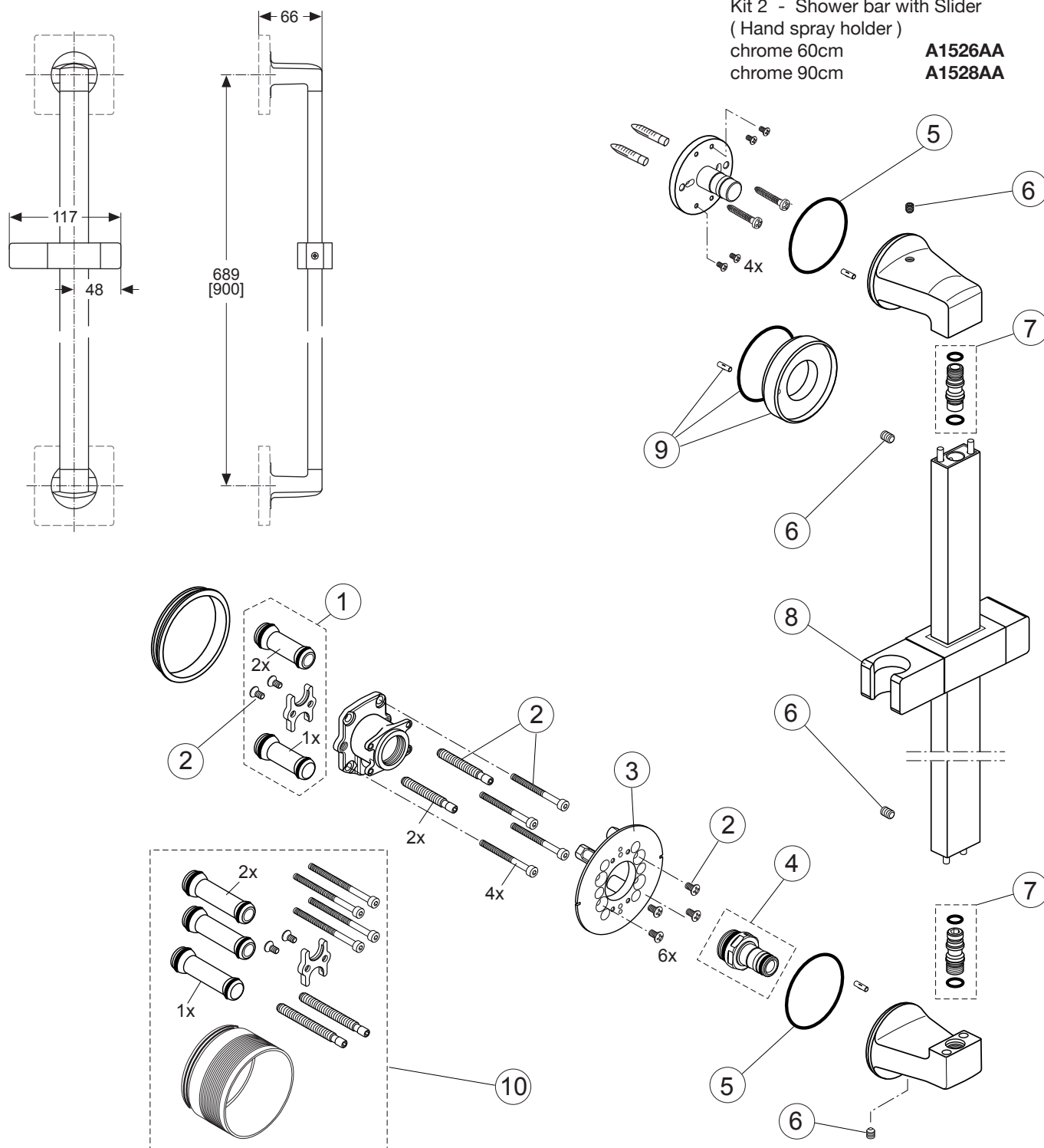




Produced from: Dec. 2020

Kit 2 - Shower bar with Slider
(Hand spray holder)
chrome 60cm **A1526AA**
chrome 90cm **A1528AA**

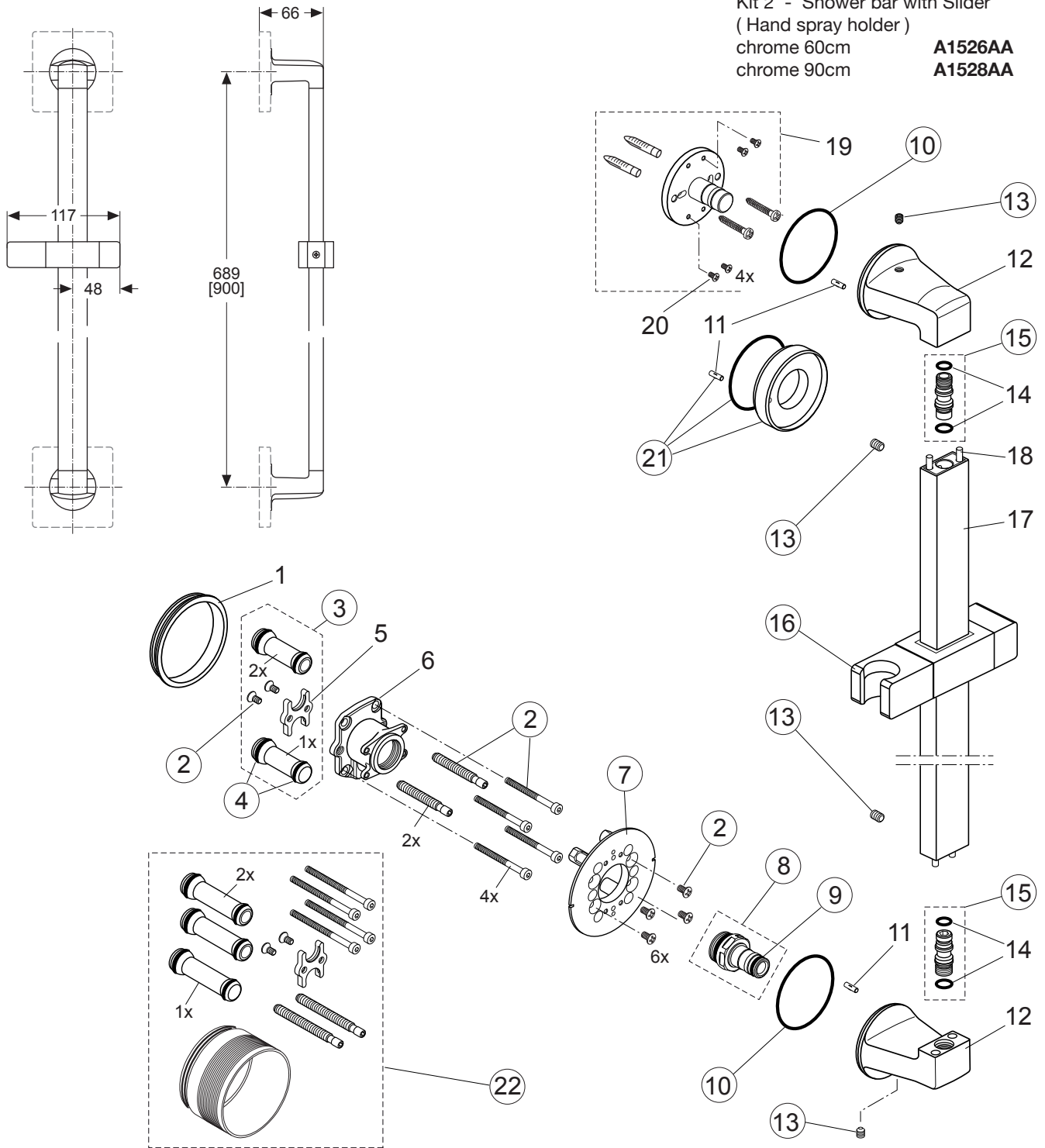


Pos.	Description	Part-Number	Qty.	Pos.	Description	Part-Number	Qty.
1	Ball canal / connector	A 860 847 NU	2 pcs				
2	Screw set vol./conn. valve	A 860 842 NU	1 pcs				
3	Escutcheon holder	A 860 853 NU	1 Set				
4	Connector nipple open	A 860 867 NU	1 pcs				
5	O - ring Ø41 x 1,78	A 961 863 NU	1 pcs				
6	Thread pin M5x5	A 962 625 NU	1 Set				
7	Fixation nipple shr. bar	A 860 872 NU	1 pcs				
8	Slider / hand spray holder	A 860 870 AA	1 pcs				
9	Distance plate Ø51 cpl.	A 860 825 AA	1 Set				
10	Extension kit 15mm longer	A 963 738 NU	1 Set				

ArchiModule

Produced from: Nov. 2011 - Nov. 2020

Kit 2 - Shower bar with Slider
(Hand spray holder)
chrome 60cm **A1526AA**
chrome 90cm **A1528AA**



Replace XX with the appropriate finish code
chrome = AA,

Example spare part order:
A 860 870 AA in chrome

Pos.	Description	Part-Number	Qty.	Pos.	Description	Part-Number	Qty.
1	Seal ring			12	Wall connection elbow		
2	Screw set vol./conn. valve	A 860 842 NU	1 pcs	13	Thread pin M5x5	A 962 625 NU	1 Set
3	Ball canal / connector	A 860 847 NU	2 pcs	14	O-rings Ø7x1,5 u. Ø7,65x1,78		
4	O-ring set Ø10 + Ø13x2,5	A 860 852 NU	1 Set	15	Fixation nipple shr. bar	A 860 872 NU	1 pcs
5	Flange / fixation / holder			16	Slider / hand spray holder	A 860 870 XX	1 pcs
6	Body for vol. valve & accessories			17	Shower bar pipe		
7	Escutcheon holder	A 860 853 NU	1 Set	18	Groove pin 4x18 ISO8741		
8	Connector nipple open	A 860 867 NU	1 pcs	19	Flange fixation kit complete		
9	O - ring Ø10 x 2	A 963 495 NU	2 pcs	20	Counter sunk screw M3x6 DIN 963		
10	O - ring Ø41 x 1,78	A 961 863 NU	1 pcs	21	Distance plate Ø51 cpl.	A 860 825 XX	1 Set
11	Groove pin 3x10 DIN1474			22	Extension kit 15mm longer	A 963 738 NU	1 Set