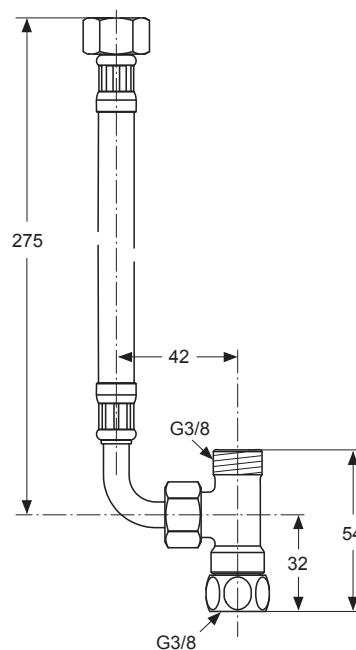
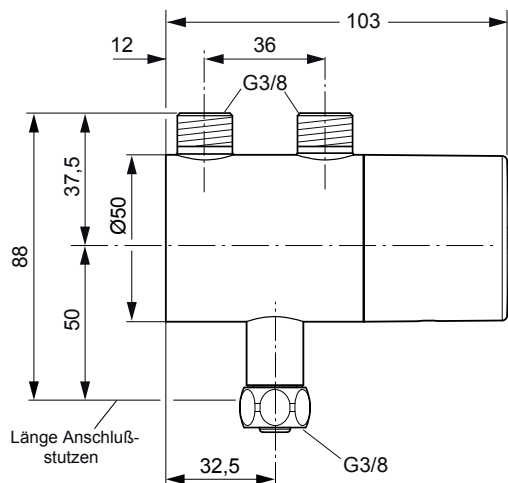


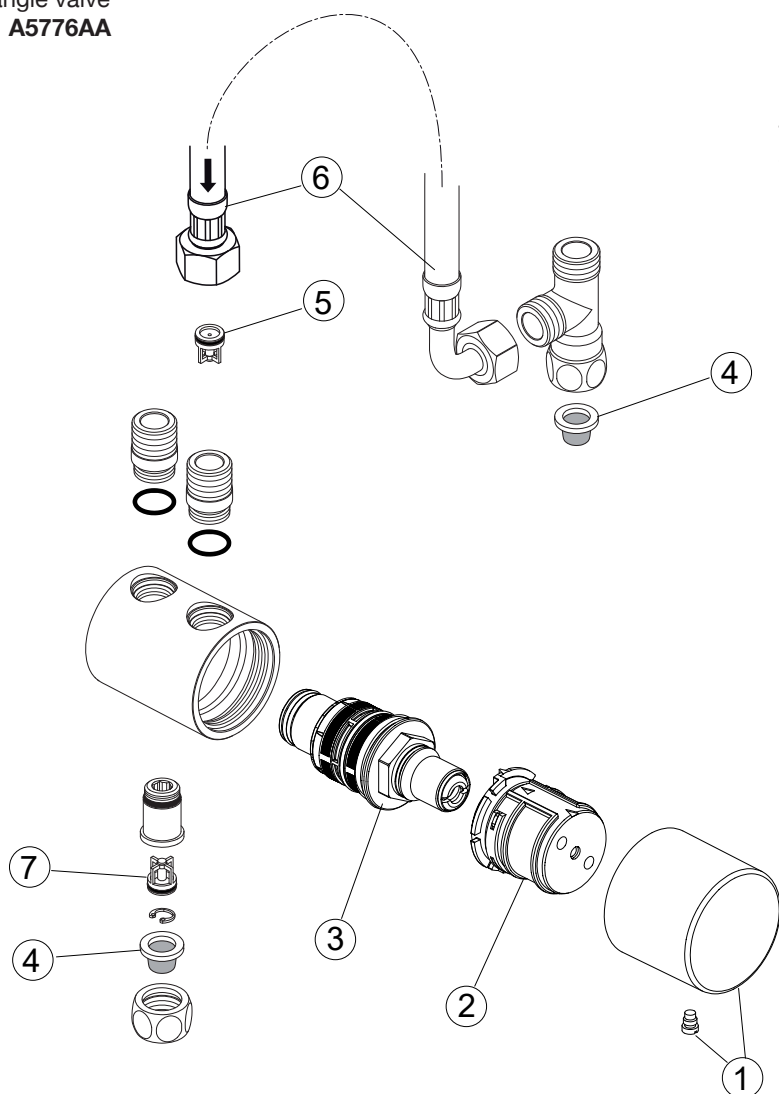


Produced from: April 2022



Pre-mixer thermostat
for connection on the angle valve
chrome **A5776AA**

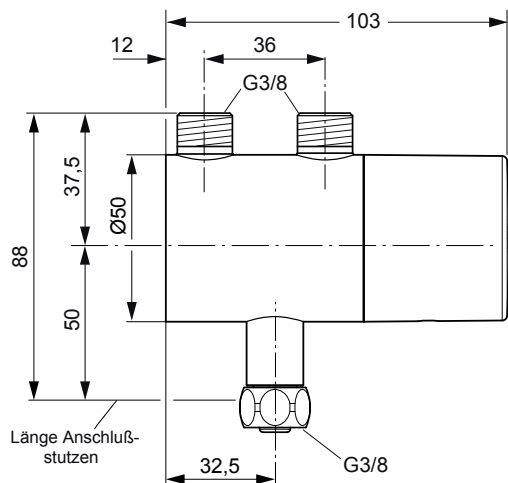
Connection Kit
for the Pre-mixer thermostat
chrome **A5777AA**



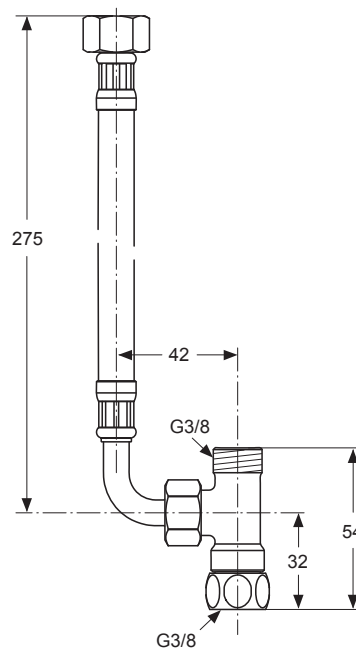
Pos.	Description	Part-Number	Qty.	Pos.	Description	Part-Number	Qty.
1	Cover with Logo ISI	A 861 278 AA	1 pcs				
2	Temp. adjustment	A 861 269 NU	1 pcs				
3	Thermostatic Cartridge	A 962 229 NU	1 pcs				
4	Filtre	A 962 136 NU	1 pcs				
5	Non-return valve OF10	A 960 944 NU	2 pcs				
6	Flex. hose with elbow	A 860 889 NU	1 pcs				
7	Non-return valve OF8	A 962 099 NU	1 pcs				



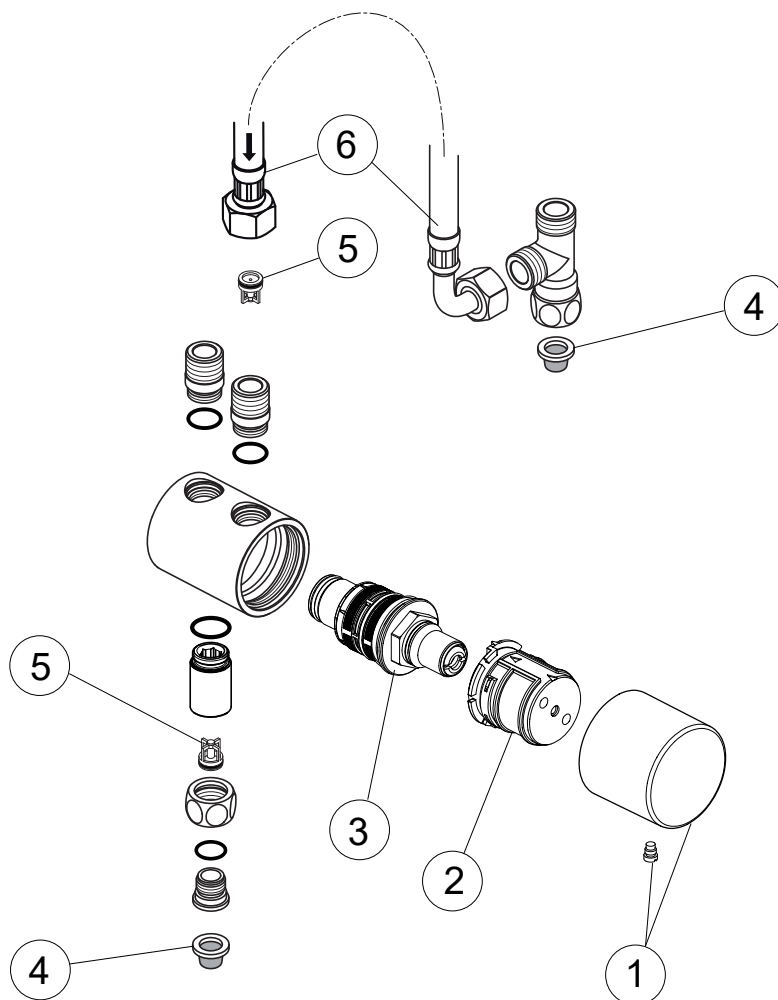
Produced from: April 2021 - March 2022



Pre-mixer thermostat for connection on the angle valve chrome **A5776AA**

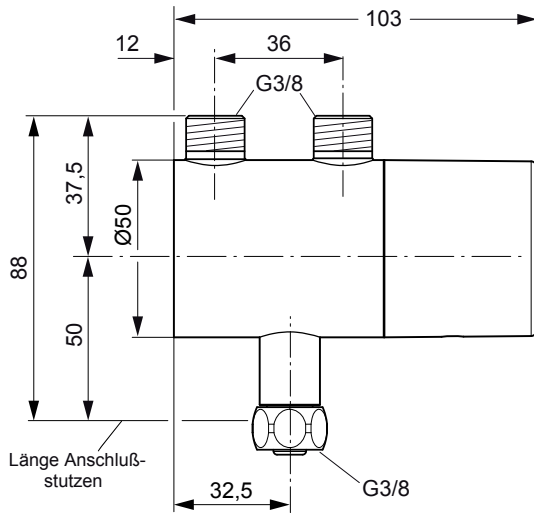


Connection Kit for the Pre-mixer thermostat chrome **A5777AA**

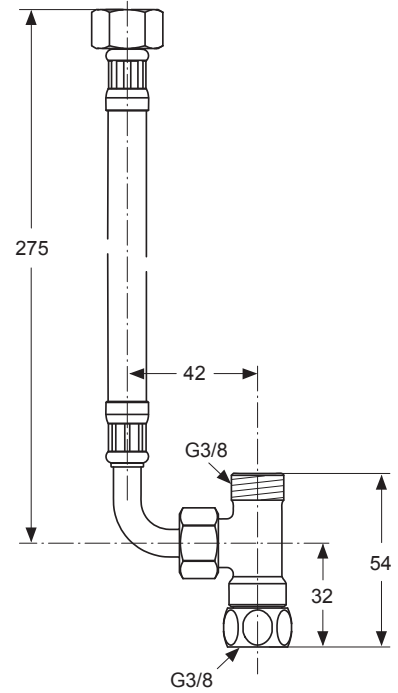


Pos.	Description	Part-Number	Qty.	Pos.	Description	Part-Number	Qty.
1	Cover with Logo ISI	A 861 278 AA	1 pcs				
2	Temp. adjustment	A 861 269 NU	1 pcs				
3	Thermostatic Cartridge	A 962 229 NU	1 pcs				
4	Filtre	A 962 136 NU	1 pcs				
5	Non-return valve OF10	A 960 944 NU	2 pcs				
6	Fex. hose with elbow	A 860 889 NU	1 pcs				

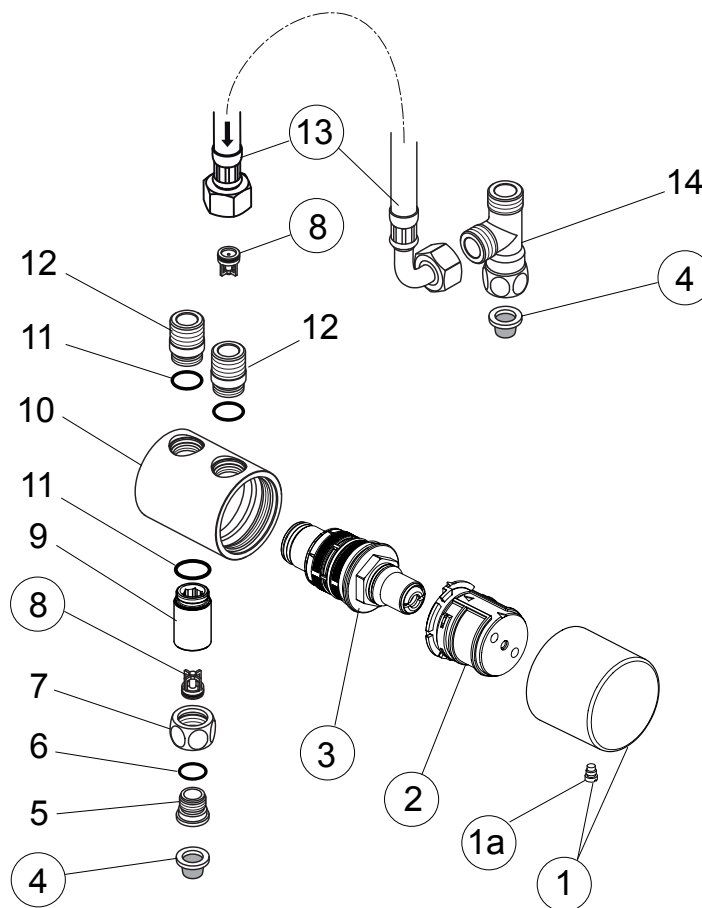
Produced from: Dec. 2017 - March 2021



Pre-mixer thermostat
for connection on the angle valve
chrome
A5776AA



Connection Kit
for the Pre-mixer thermostat
chrome
A5777AA



Pos.	Description	Part-Number	Qty.	Pos.	Description	Part-Number	Qty.
1	Cover with Logo ISI	A 861 278 AA	1 pcs	8	Non-return valve OF10	A 960 944 NU	2 pcs
1a	Screw Pin M5X10 DIN915	A 861 141 NU	1 pcs	9	Nipple G3/8		
2	Temp. adjustment	A 861 269 NU	1 pcs	10	Body Micro Therm.		
3	Thermostatic Cartridge	A 962 229 NU	1 pcs	11	O-ring Ø12x1,7		
4	Filter	A 962 136 NU	1 pcs	12	Nipple G3/8		
5	Nipple M12x1 left thread			13	Flex. hose with elbow	A 860 889 NU	1 pcs
6	O-ring Ø 10x1,5			14	T-Connection complete		
7	Coupling nut G3/8						