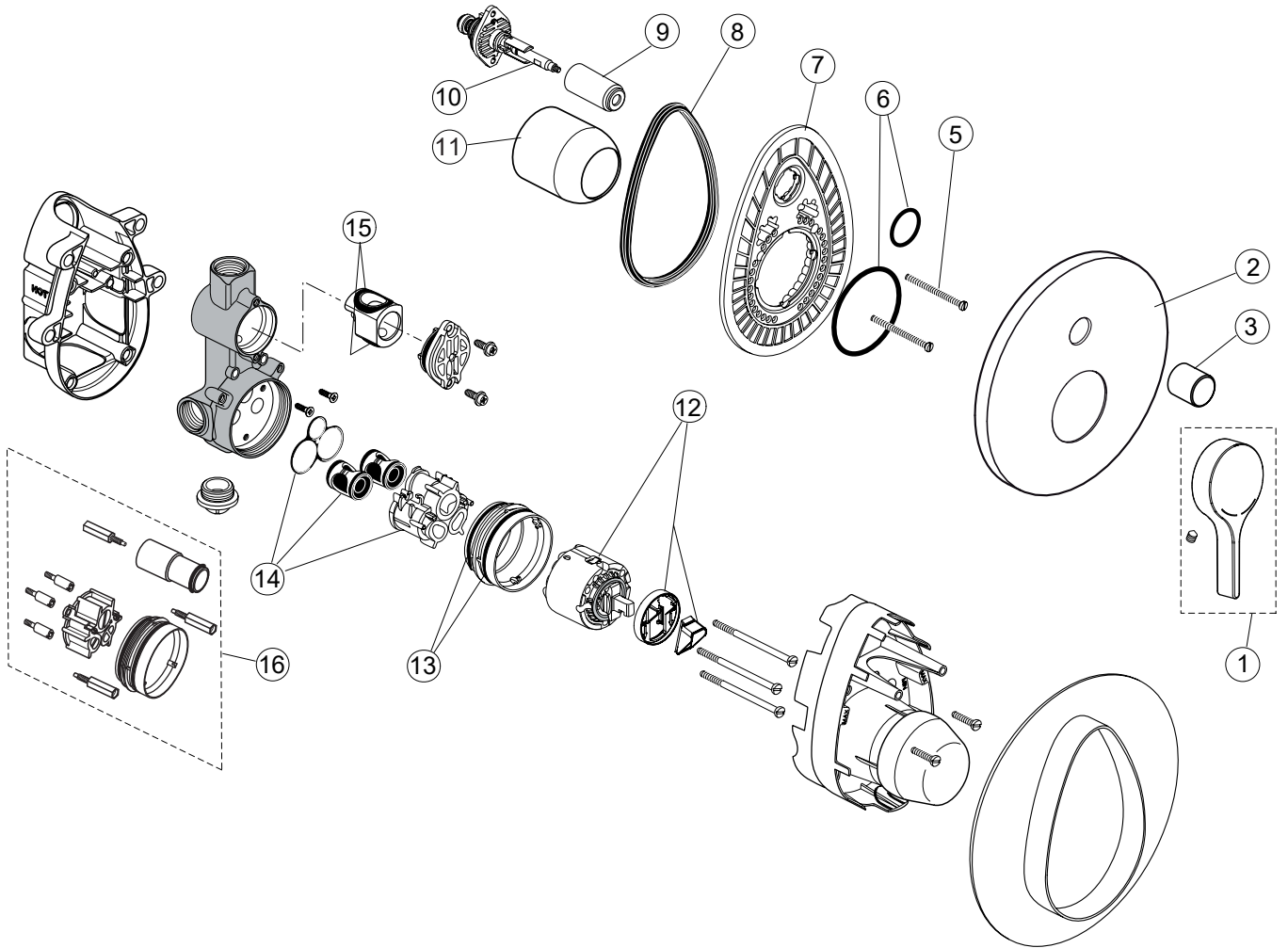
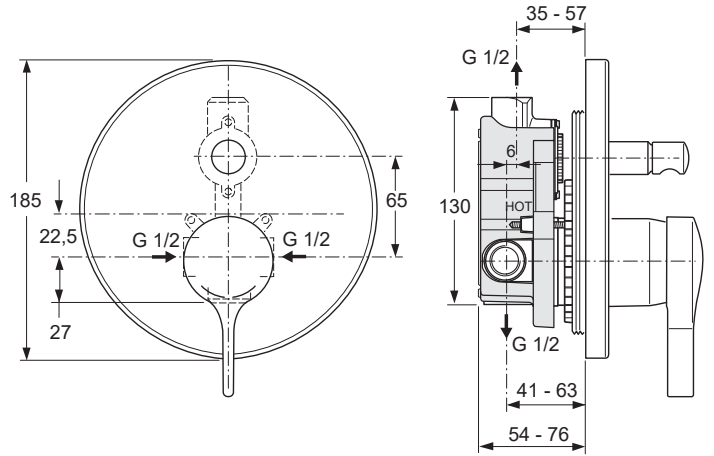


Produced from: Jan. 2021

For Pre-Installation Kit 1
Built-in parts **A 2650NU**

Design parts chrome Kit 2
A4275A

Built-in Shower mixer Complete chrome
A4276AA



Pos.	Description	Part-Number	Qty.	Pos.	Description	Part-Number	Qty.
1	Lever cpl. with Logo IS	A 962 065 AA	1 pcs	14	Plastic insert complete	A 861 000 NU	1 Set
2	Escutcheon for Bath/Shr.	A 960 622 AA	1 pcs	15	O - Ring Set	A 963 523 NU	1 pcs
3	Pull knob f. Diverter	A 960 562 AA	1 pcs	16	Extension - Set 20mm	A 963 542 NU	1 Set
5	Cylindrical screw M4x39	A 963 176 NU	3 pcs	17	Distance frame	A 960 305 AA	1 Set
6	O - Ring Set	A 962 530 NU	1 Set				
7	Escutcheon holder+Pos.6	A 963 441 NU	1 pcs				
8	Seal ring (Profil)	A 963 444 NU	1 pcs				
9	Cap f. Diverter	A 963 442 AA	1 pcs				
10	Diverter complete	A 963 443 NU	1 pcs				
11	Cap	A 963 571 AA	1 pcs				
12	Cartridge Ø47 + Pos.18	A 960 500 NU	1 pcs				
13	O - Ring Ø 47,3 x 1,78	A 963 526 NU	2 pcs				

Melange A4275.. A4276..

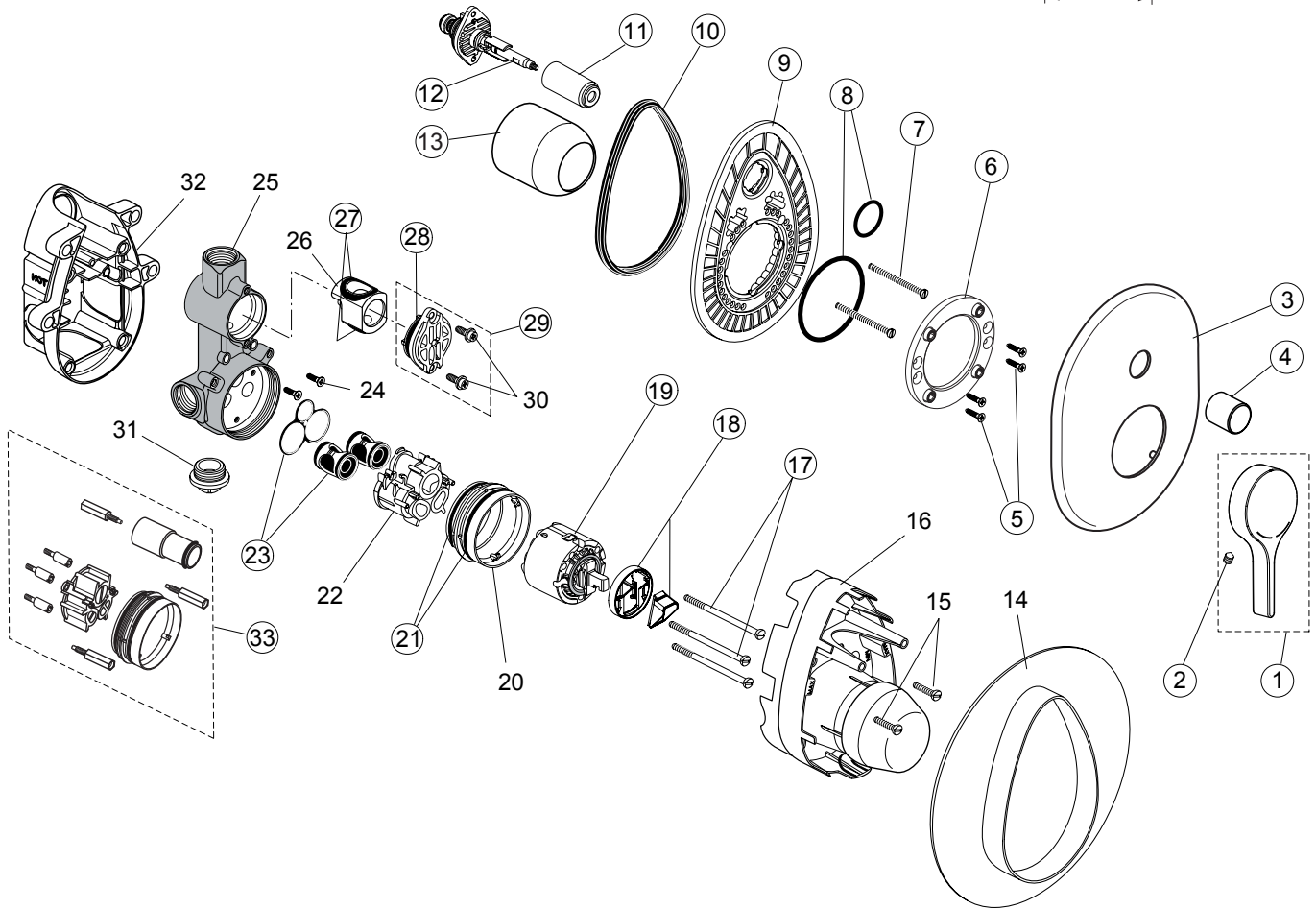
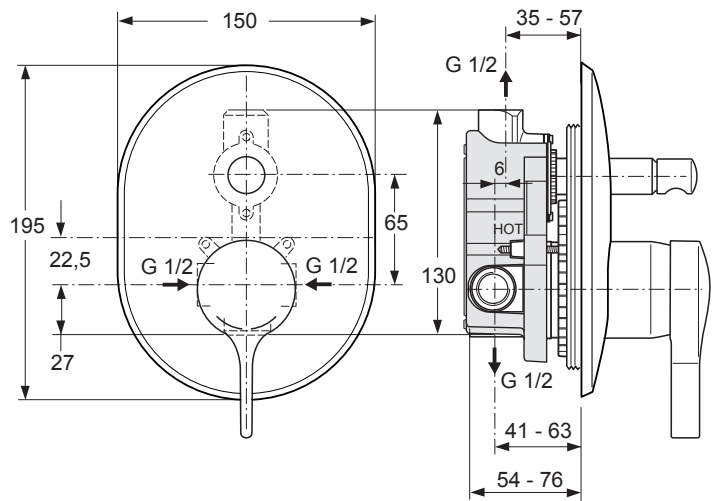


Produced from: Jan. 2008 - Dec. 2020

For Pre-Installation Kit 1
Built-in parts **A 2650NU**

Design parts chrome Kit 2
A4275A

Built-in Shower mixer Complete chrome
A4276AA



Pos.	Description	Part-Number	Qty.	Pos.	Description	Part-Number	Qty.
1	Lever cpl. with Logo IS	A 962 065 AA	1 pcs	18	ECO - Kit	A 860 700 NU	1 Set
2	Thread pin M5x10 DIN915	A 963 309 NU	1 pcs	19	Cartridge Ø47 + Pos.18	A 960 500 NU	1 pcs
3	Escutcheon for Bath/Shr.	A 960 325 AA	1 pcs	20	Plastic ring		
4	Pull knob f. Diverter	A 960 562 AA	1 pcs	21	O - Ring Ø 47,3 x 1,78	A 963 526 NU	2 pcs
5	Ejot-PT-Screw KA35x16	A 962 445 NU	4 pcs	22	Plastic insert		
6	Escutcheon holder+Pos.5	A 962 107 NU	1 pcs	23	Low noise insert complete	A 963 524 NU	1 Set
7	Cylindrical screw M4x39	A 963 176 NU	3 pcs	24	Ejot-PT-Screw KA35x16	A 962 445 NU	4 pcs
8	O - Ring Set	A 962 530 NU	1 Set	25	Body (built-in version)		
9	Escutcheon holder+Pos.8	A 963 441 NU	1 pcs	26	Insert for diverter		
10	Seal ring (Profil)	A 963 444 NU	1 pcs	27	O - Ring Set to Pos.26	A 963 523 NU	1 pcs
11	Cap f. Diverter	A 963 442 AA	1 pcs	28	O - Ring Ø 28,3 x 1,78	A 961 667 NU	2 pcs
12	Diverter complete	A 963 443 NU	1 pcs	29	Cover complete	A 963 412 NU	1 pcs
13	Cap	A 963 571 AA	1 pcs	30	Screw M4 x 12		
14	Sealing frame			31	Plug G1/2		
15	Cylindrical screw M4x10			32	Plastic box		
16	Plaster guard			33	Extension - Set 20mm	A 963 542 NU	1 Set
17	Cylindrical screw M4x69	A 963 783 NU	3 pcs	34	Distance frame	A 860 494 AA	1 Set

Melange