



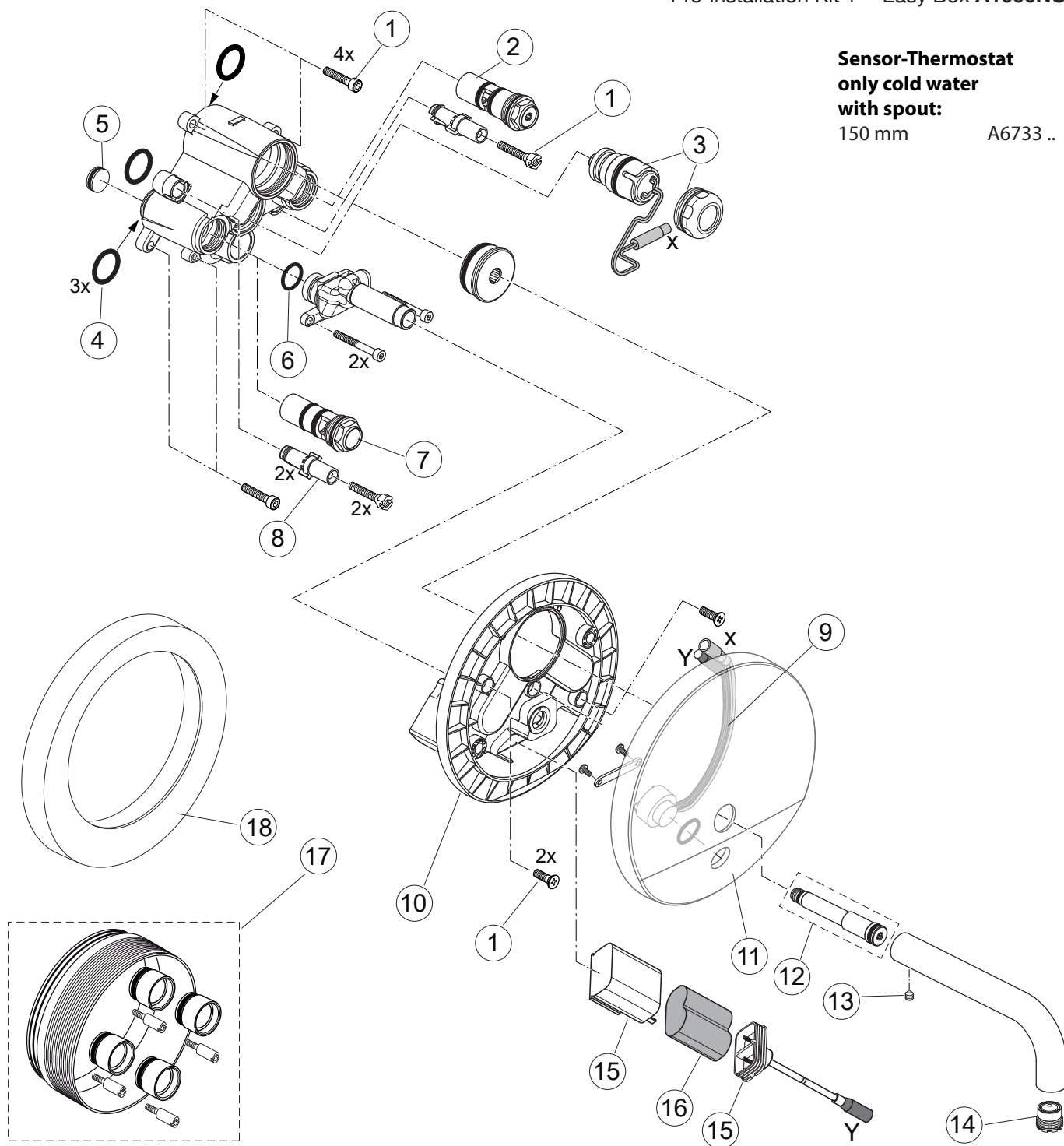
Produced from: **April 2021**

Pre-installation Kit 1 - Easy Box **A1000NU**

**Sensor-Thermostat  
only cold water  
with spout:**

150 mm

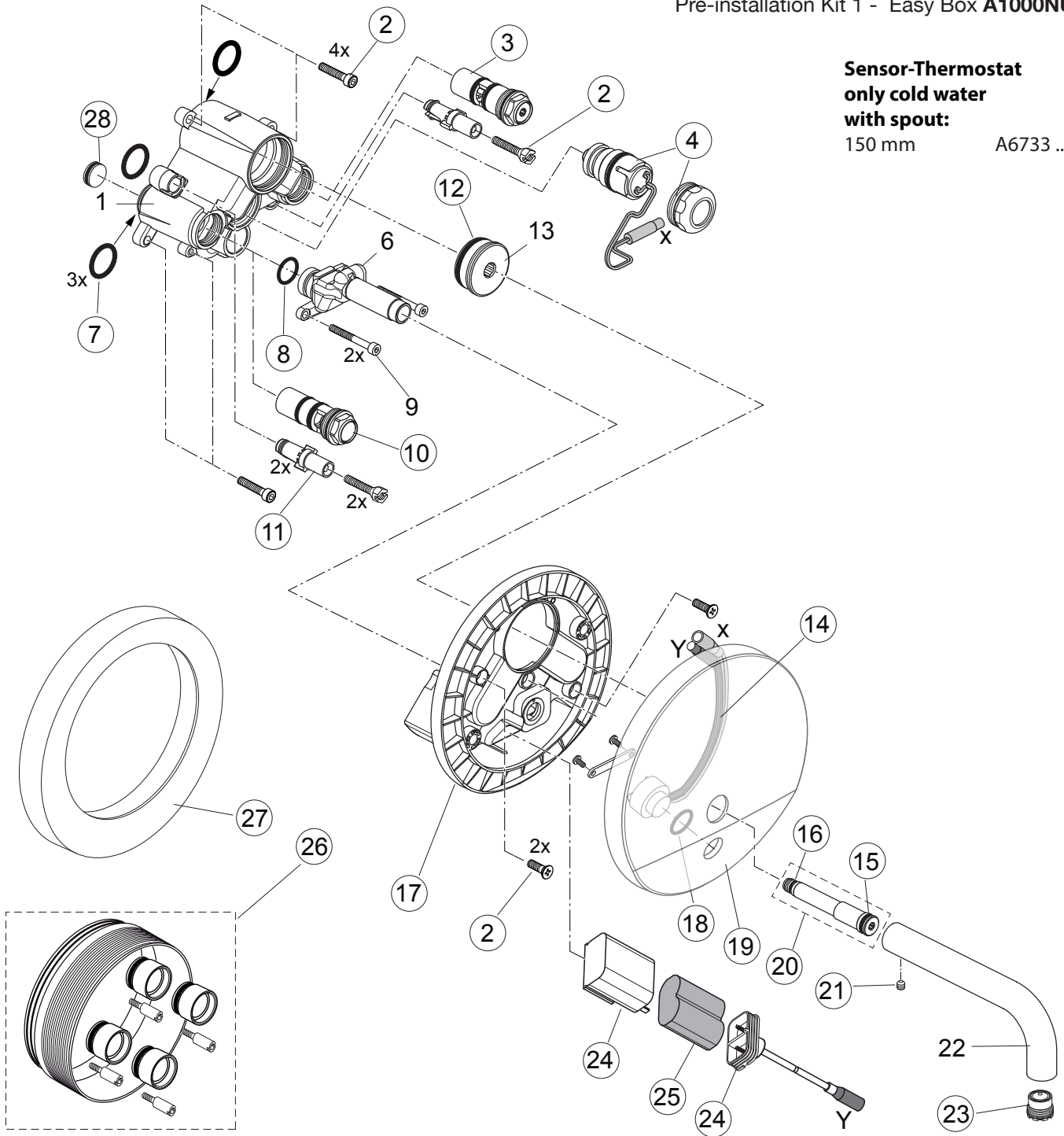
A6733 ..



Pos.	Description	Part-Number	Qty.	Pos.	Description	Part-Number	Qty.
1	Screw set complete	<b>A 960 890 NU</b>	1 Set	13	Thread pin M4x4 DIN916	<b>A 962 270 NU</b>	1 Set
2	Stop valve (cold)	<b>F 961 049 NU</b>	1 pcs	14	Aerator 8 l with Key	<b>F 961 056 NU</b>	1 pcs
3	Solenoidvalve 6V G1/2	<b>F 961 050 NU</b>	1 pcs	15	Battery case	<b>F 961 038 NU</b>	1 pcs
4	O-ring Ø 17,5 x 2,5	<b>A 963 146 NU*</b>	1 Set	16	Battery 6V CR-P2	<b>A 960 161 NU</b>	1 pcs
5	Plug w. O-ring Ø 12 x 1,5	<b>F 961 125 NU</b>	1 pcs	17	Extension kit 20mm	<b>A 960 704 NU</b>	1 Set
6	O-ring Ø 14 x 1,78	<b>A 962 605 NU</b>	2 pcs		Extension kit 40mm	<b>A 962 476 NU</b>	1 Set
7	Stop valve	<b>A 861 115 NU</b>	1 pcs	18	Distance frame	<b>F 961 057 AA</b>	1 pcs
8	Adapter screw M5	<b>F 960 903 NU</b>	2 pcs				
9	Sensor complete	<b>F 961 053 NU</b>	1 Set				
10	Escutcheon holder cpl.	<b>F 961 054 NU</b>	1 pcs				
11	Escutcheon	<b>A 861 116 AA</b>	1 pcs				
12	Spout connector cpl.	<b>F 961 055 NU</b>	1 pcs				

\* Universal-Set (not all parts needed)

**Sensor-Thermostat  
only cold water  
with spout:**  
150 mm      A6733 ..



Pos.	Description	Part-Number	Qty.	Pos.	Description	Part-Number	Qty.
1	Body Thermostat			16	O-ring Ø 7x 1,2	<b>A 960 457 NU</b>	1 pcs
2	Screw set complete	<b>A 960 890 NU</b>	1 Set	17	Escutcheon holder cpl.	<b>F 961 054 NU</b>	1 pcs
3	Stop valve (cold)	<b>F 961 049 NU</b>	1 pcs	18	O - Ring Ø 15,6 x 1,78	<b>A 961 182 NU</b>	2 pcs
4	Solenoidvalve 6V G1/2	<b>F 961 050 NU</b>	1 pcs	19	Escutcheon	<b>A 861 116 AA</b>	1 pcs
5	Cap nut			20	Spout conector cpl.	<b>F 961 055 NU</b>	1 pcs
6	Body Spout			21	Thread pin M4x4 DIN916	<b>A 962 270 NU</b>	1 Set
7	O-ring Ø 17,5 x 2,5	<b>A 963 143 NU</b>	1 Set	22	Spout		
8	O-ring Ø 14 x 1,78	<b>A 962 605 NU</b>	2 psc	23	Aerator 8 l with Key	<b>F 961 056 NU</b>	1 pcs
9	Screw M4 x 35			24	Battery case	<b>F 961 038 NU</b>	1 pcs
10	Stop valve	<b>A 861 115 NU</b>	1 pcs	25	Battery 6V CR-P2	<b>A 960 161 NU</b>	1 pcs
11	Adapter screw M5	<b>F 960 903 NU</b>	2 pcs	26	Extension kit 20mm	<b>A 960 704 NU</b>	1 Set
12	O-ring Ø 26,7 x 1,78	<b>A 962 825 NU</b>	1 pcs		Extension kit 40mm	<b>A 962 476 NU</b>	1 Set
13	Plug			27	Distance frame	<b>F 961 057 AA</b>	1 pcs
14	Sensor complete + Pos.18	<b>F 961 053 NU</b>	1 Set	28	Plug w. O-ring Ø 12 x 1,5	<b>F 961 125 NU</b>	1 pcs
15	O-ring Ø 10 x 2,0	<b>A 963 495 NU</b>	1 pcs				