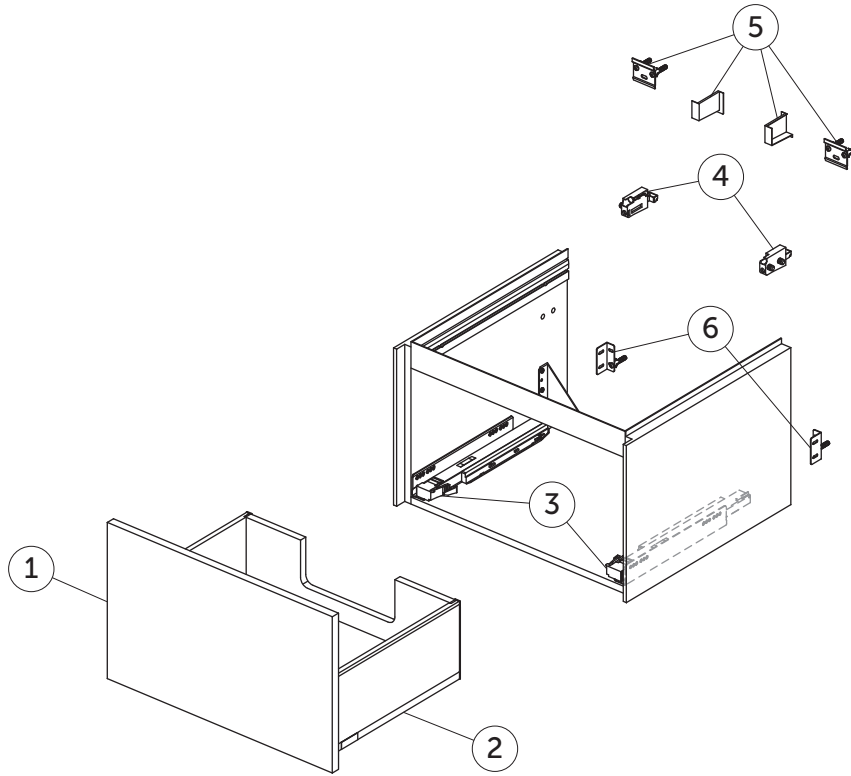


SPARE PARTS

Vanity Unit 600
1 drawer



| Item | Description | Colour/Finish | Code No. | Quantity |
|------|--|--|--|----------|
| 1 | Drawer front panel ns 580 x 356 | Y1 - Matt White Y2 - Matt Anthracite Y3 - Matt Sunset Y4 - Smoked Oak Y5 - Dark Walnut Y6 - Light Oak | TF052Y1 TF052Y2 TF052Y3 TF052Y4 TF052Y5 TF052Y6 | 1 |
| 2 | Drawer structure box ns 60 x 50.5 vanity | Y2 - Matt Anthracite | TF111Y2 | 1 |
| 3 | Runners 400 Push KIT | | TV76967 | Pair |
| 4 | Hanging brackets KIT 1 | | RV08267 | Pair |
| 5 | Wall fixation KIT 1 new | | TV72667 | 14 |
| 6 | Safety KIT (brackets, screws & plugs) | | TV38767 | 12 |

Ideal Standard International NV
Corporate Village – Gent Building
Da Vincilaan 2
B1935 – Zaventem
Belgium

BE +32 (0)2 325 66 33
BG +359 675 30362
DE +49 (0)228 521 580
EG +202 26969700
FR +33 (0)1 49 38 28 00
GB 0870 129 6085
GR +30 210 67 90 810
HR +38591 22 99 304

HU +36 30 6991 594
IT 800 652 290
ME +971 4 804 2400
NL +31 (0)77 355 08 08
PL +48 71 7868 301/302
RO +40 21 3223 201/202
SI 00386 59 919040
TR +90 216 314 87 87

UA +359 675 30 468
AL/XK/BA +359 887 709 696
CZ/SK +420 417 592 179
DK/NO/SE +45 75 84 10 10
ES/PT +34 93 561 80 00
LV/LT/EE +371 673 57 792
RS/MK/ME +381 11 713 80 58
RU/MD +7 495 669 23 11

