

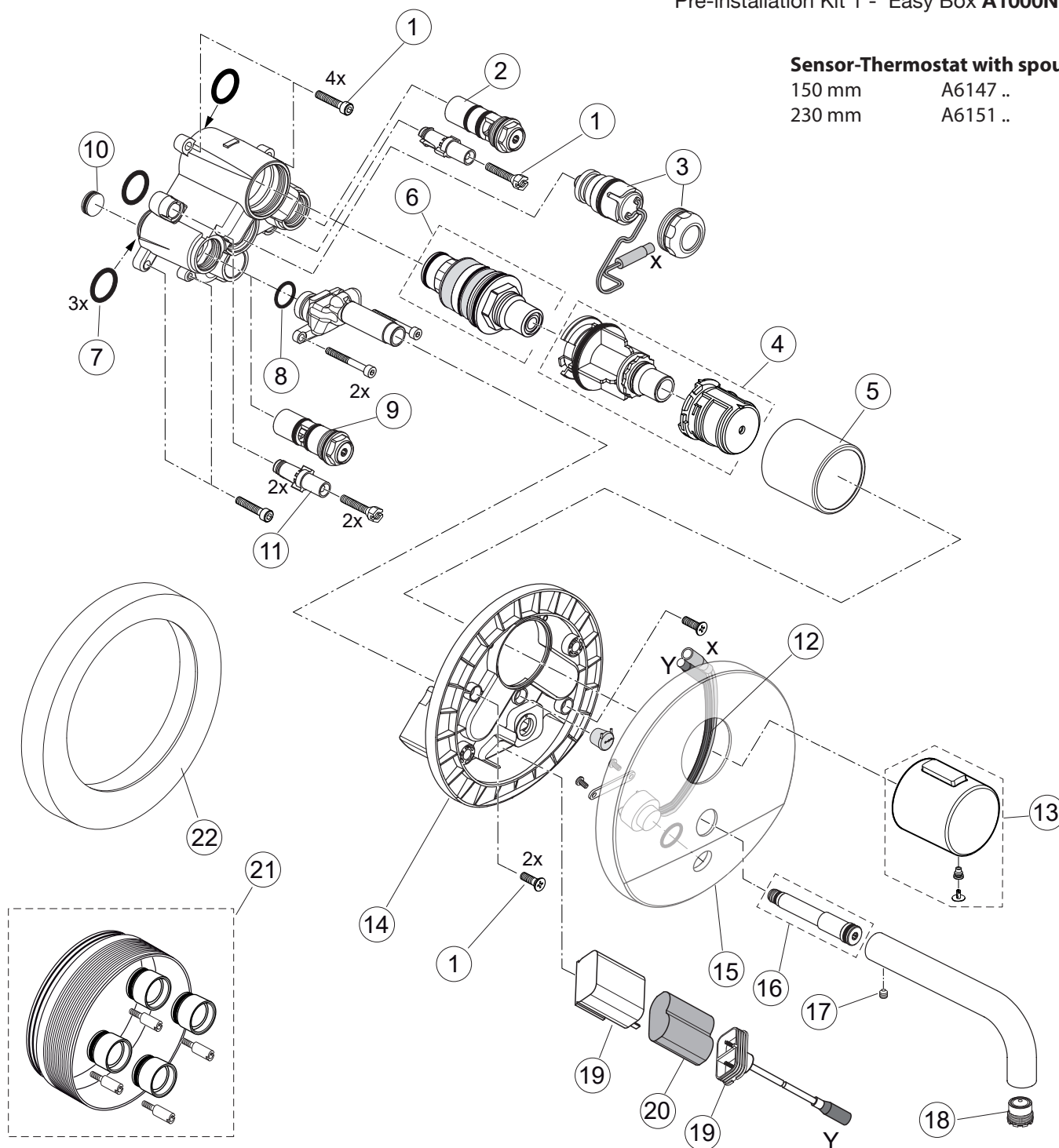


Produced from: Dec 2020

#### Pre-installation Kit 1 - Easy Box A1000NU

#### Sensor-Thermostat with spout

150 mm      A6147 ..  
230 mm      A6151 ..



Pos.	Description	Part-Number	Qty.	Pos.	Description	Part-Number	Qty.
1	Screw set complete	<b>A 960 890 NU</b>	1 Set	14	Escutcheon holder cpl.	<b>F 961 054 NU</b>	1 pcs
2	Stop valve (cold)	<b>F 961 049 NU</b>	1 pcs	15	Escutcheon	<b>F 961 075 AA</b>	1 pcs
3	Solenoidvalve 6V G1/2	<b>F 961 050 NU</b>	1 pcs	16	Spout conector cpl.	<b>F 961 055 NU</b>	1 pcs
4	Temp. adjustment	<b>A 963 427 NU</b>	1 Set	17	Thread pin M4x4 DIN916	<b>A 962 270 NU</b>	1 Set
5	Cap	<b>F 961 051 AA</b>	1 pcs	18	Aerator 8 l with Key	<b>F 961 056 NU</b>	1 pcs
6	Cartridge thermostat G1/2	<b>A 962 229 NU</b>	1 pcs	19	Battery case	<b>F 961 038 NU</b>	1 pcs
7	O-ring Ø 17,5 x 2,5	<b>A 963 146 NU*</b>	1 Set	20	Battery 6V CR-P2	<b>A 960 161 NU</b>	1 pcs
8	O-ring Ø 14 x 1,78	<b>A 962 605 NU</b>	2 psc	21	Extension kit 20mm	<b>A 960 704 NU</b>	1 Set
9	Stop valve (hot)	<b>F 961 052 NU</b>	1 pcs		Extension kit 40mm	<b>A 962 476 NU</b>	1 Set
10	Plug w. O-ring Ø 12 x 1,5	<b>F 961 125 NU</b>	1 pcs	22	Distance frame	<b>F 961 057 AA</b>	1 pcs
11	Adapter srew M5	<b>F 960 903 NU</b>	2 pcs				
12	Sensor complete	<b>F 961 053 NU</b>	1 Set				
13	Temp. handle cpl.	<b>A 860 907 AA</b>	1 Set				

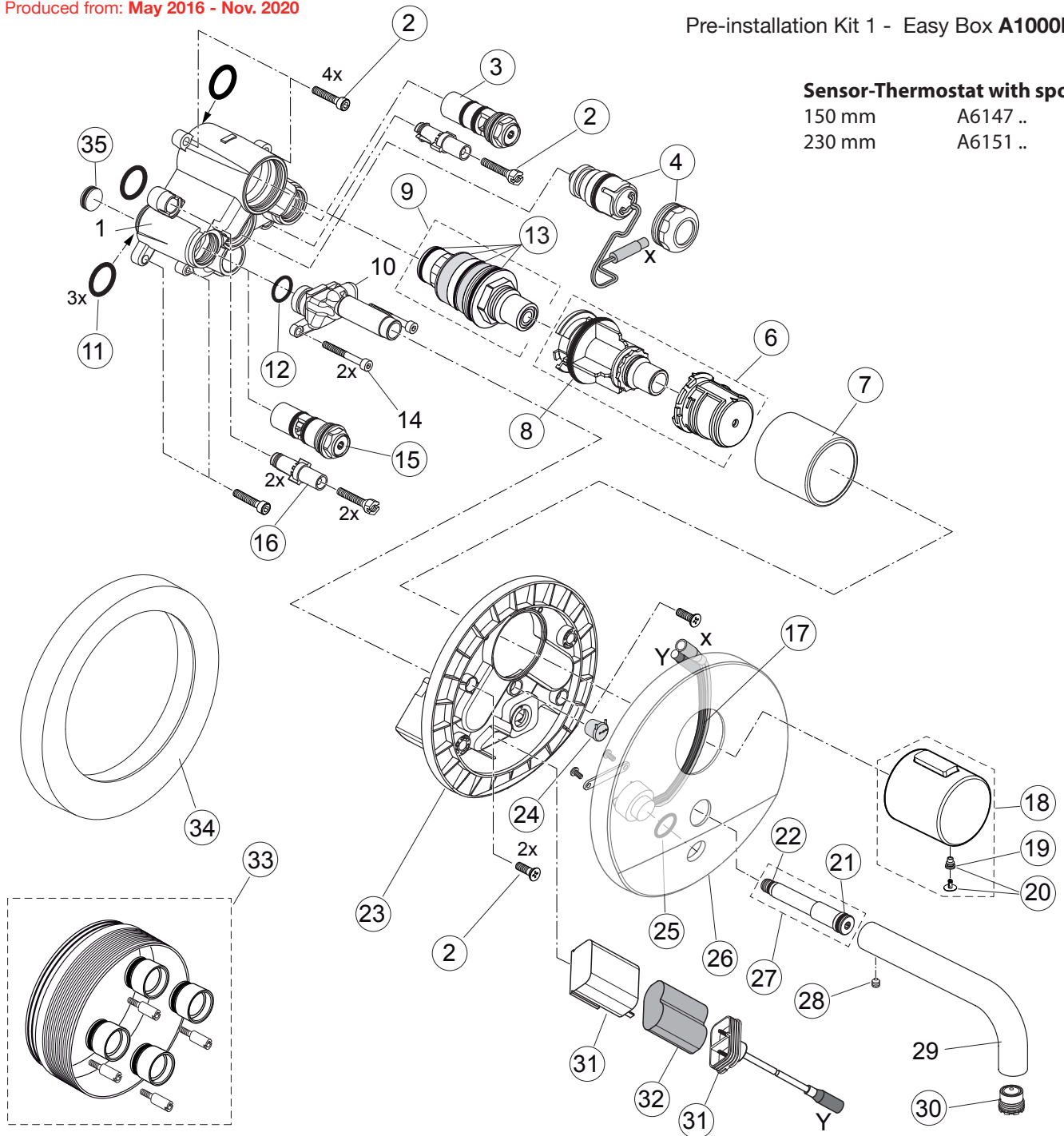
*\*Universal set (not all parts needed)*

Produced from: **May 2016 - Nov. 2020**

Pre-installation Kit 1 - Easy Box **A1000NU**

### Sensor-Thermostat with spout

150 mm      A6147 ..  
230 mm      A6151 ..

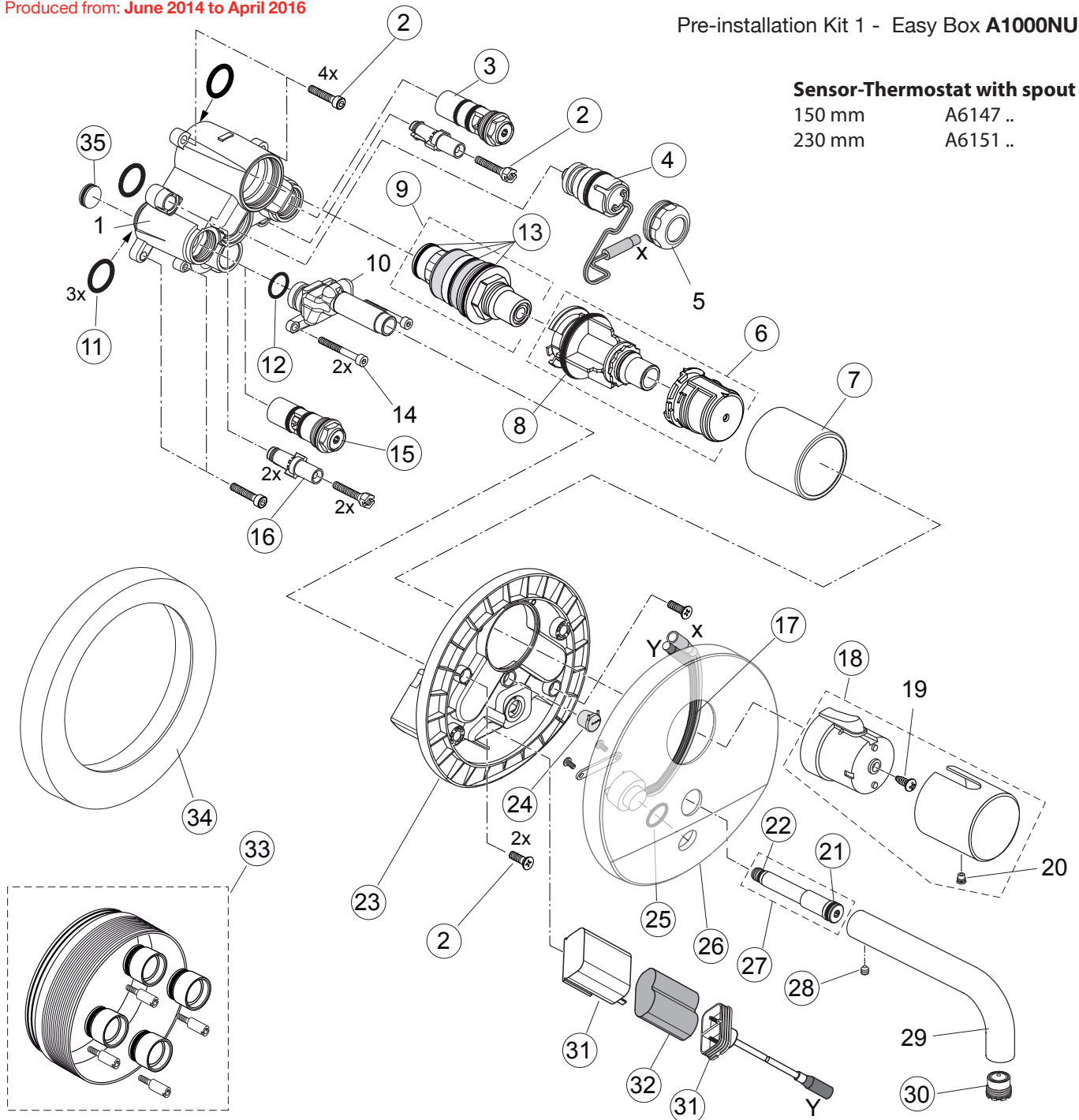


Pos.	Description	Part-Number	Qty.	Pos.	Description	Part-Number	Qty.
1	Body Thermostat			19	Spigot screw M5x5	<b>A 961 095 NU</b>	1 pcs
2	Screw set complete	<b>A 960 890 NU</b>	1 Set	20	Cap + Screw	<b>A 962 149 AA</b>	1 Set
3	Stop valve (cold)	<b>F 961 049 NU</b>	1 pcs	21	O-ring Ø 10 x 2,0	<b>A 963 495 NU</b>	1 pcs
4	Solenoidvalve 6V G1/2* * special tool required	<b>F 961 050 NU</b> <b>A 861 257 NU</b>	1 pcs	22	O-ring Ø 7x 1,2	<b>A 960 457 NU</b>	1 pcs
6	Temp. adjustment	<b>A 963 427 NU</b>	1 Set	23	Escutcheon holder cpl.	<b>F 961 054 NU</b>	1 pcs
7	Cap	<b>F 961 051 AA</b>	1 pcs	24	Cable grommet	<b>F 961 074 NU</b>	2 pcs
8	O-ring Ø 37,77 x 2,62	<b>A 962 574 NU</b>	1 pcs	25	O - Ring Ø 15,6 x 1,78	<b>A 961 182 NU</b>	2 pcs
9	Cartridge thermostat G1/2	<b>A 962 164 NU</b>	1 pcs	26	Escutcheon	<b>F 961 075 AA</b>	1 pcs
10	Body Spout			27	Spout conector cpl.	<b>F 961 055 NU</b>	1 pcs
11	O-ring Ø 17,5 x 2,5	<b>A 963 143 NU</b>	1 Set	28	Thread pin M4x4 DIN916	<b>A 962 270 NU</b>	1 Set
12	O-ring Ø 14 x 1,78	<b>A 962 605 NU</b>	2 psc	29	Spout		
13	Repair set	<b>A 962 230 NU</b>	1 Set	30	Aerator 8 l with Key	<b>F 961 056 NU</b>	1 pcs
14	Screw M4 x 35			31	Battery case	<b>F 961 038 NU</b>	1 pcs
15	Stop valve (hot)	<b>F 961 052 NU</b>	1 pcs	32	Battery 6V CR-P2	<b>A 960 161 NU</b>	1 pcs
16	Adapter srew M5	<b>F 960 903 NU</b>	2 pcs	33	Extension kit 20mm	<b>A 960 704 NU</b>	1 Set
17	Sensor complete + Pos.25	<b>F 961 053 NU</b>	1 Set		Extension kit 40mm	<b>A 962 476 NU</b>	1 Set
18	Temp. handle cpl.	<b>A 860 907 AA</b>	1 Set	34	Distance frame	<b>F 961 057 AA</b>	1 pcs
				35	Plug w. O-ring Ø 12 x 1,5	<b>F 961 125 NU</b>	1 pcs

Produced from: June 2014 to April 2016

Pre-installation Kit 1 - Easy Box A1000NU

**Sensor-Thermostat with spout**  
 150 mm A6147 ..  
 230 mm A6151 ..



Pos.	Description	Part-Number	Qty.	Pos.	Description	Part-Number	Qty.
1	Body Thermostat			19	Ejot-PT Screw KB50x10		
2	Screw set complete	<b>A 960 890 NU</b>	1 Set	20	Thread pin M5x5 DIN916		
3	Stop valve (cold)	<b>F 961 049 NU</b>	1 pcs	21	O-ring Ø 10 x 2,0	<b>A 963 495 NU</b>	1 pcs
4	Solenoidvalve 6V G1/2	<b>F 961 050 NU</b>	1 pcs	22	O-ring Ø 7x 1,2	<b>A 960 457 NU</b>	1 pcs
5	Cap nut			23	Escutcheon holder cpl.	<b>F 961 054 NU</b>	1 pcs
6	Temp. adjustment	<b>A 963 427 NU</b>	1 Set	24	Cable grommet	<b>F 961 074 NU</b>	2 pcs
7	Cap	<b>F 961 051 AA</b>	1 pcs	25	O - Ring Ø 15,6 x 1,78	<b>A 961 182 NU</b>	2 pcs
8	O-ring Ø 37,77 x 2,62	<b>A 962 574 NU</b>	1 pcs	26	Escutcheon	<b>F 961 075 AA</b>	1 pcs
9	Cartridge thermostat G1/2	<b>A 962 164 NU</b>	1 pcs	27	Spout conector cpl.	<b>F 961 055 NU</b>	1 pcs
10	Body Spout			28	Thread pin M4x4 DIN916	<b>A 962 270 NU</b>	1 Set
11	O-ring Ø 17,5 x 2,5	<b>A 963 143 NU</b>	1 Set	29	Spout		
12	O-ring Ø 14 x 1,78	<b>A 962 605 NU</b>	2 psc	30	Aerator 8 l with Key	<b>F 961 056 NU</b>	1 pcs
13	Repair set	<b>A 962 230 NU</b>	1 Set	31	Battery case	<b>F 961 038 NU</b>	1 pcs
14	Screw M4 x 35			32	Battery 6V CR-P2	<b>A 960 161 NU</b>	1 pcs
15	Stop valve (hot)	<b>F 961 052 NU</b>	1 pcs	33	Extension kit 20mm	<b>A 960 704 NU</b>	1 Set
16	Adapter srew M5	<b>F 960 903 NU</b>	2 pcs		Extension kit 40mm	<b>A 962 476 NU</b>	1 Set
17	Sensor complete + Pos.25	<b>F 961 053 NU</b>	1 Set	34	Distance frame	<b>F 961 057 AA</b>	1 pcs
18	Temp. handle cpl.	<b>A 962 389 AA</b>	1 Set	35	Plug w. O-ring Ø 12 x 1,5	<b>F 961 125 NU</b>	1 pcs