

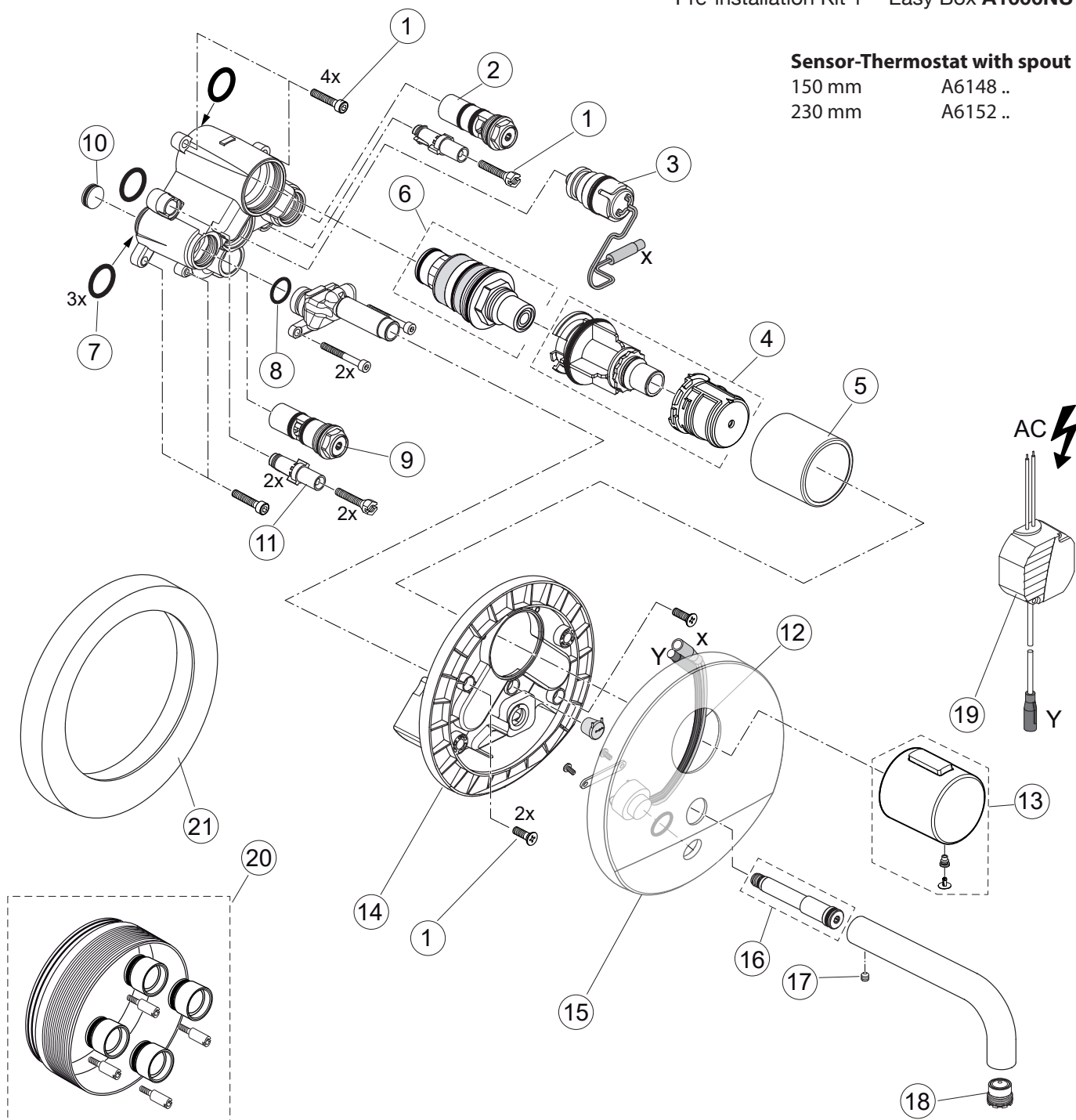


Produced from: **Sep 2023**

Pre-installation Kit 1 - Easy Box **A1000NU**

Sensor-Thermostat with spout

150 mm A6148 ..
230 mm A6152 ..



Pos.	Description	Part-Number	Qty.	Pos.	Description	Part-Number	Qty.
1	Screw set complete	A 960 890 NU	1 Set	15	Escutcheon	F 961 075 AA	1 pcs
2	Stop valve (cold)	F 961 049 NU	1 pcs	16	Spout conector cpl.	F 961 055 NU	1 pcs
3	Solenoidvalve 6V G1/2	F 961 050 NU	1 pcs	17	Thread pin M4x4 DIN916	A 962 270 NU	1 Set
4	Temp. adjustment	A 963 427 NU	1 Set	18	Aerator 8 l with Key	F 961 056 NU	1 pcs
5	Cap	F 961 051 AA	1 pcs	19	AC-Adapter / 6,5V DC / 1A	F 961 024 NU	1 pcs
6	Cartridge thermostat G1/2	A 962 229 NU	1 pcs		Extension cable 2 m	A 960 635 NU	1 pcs
7	O-ring Ø 17,5 x 2,5	A 963 146 NU*	1 Set	20	Extension kit 20mm	A 960 704 NU	1 Set
8	O-ring Ø 14 x 1,78	A 962 605 NU	2 psc		Extension kit 40mm	A 962 476 NU	1 Set
9	Stop valve (hot)	F 961 052 NU	1 pcs	21	Distance frame	F 961 057 AA	1 pcs
10	Plug w. O-ring Ø 12 x 1,5	F 961 125 NU	1 pcs				
11	Adapter srew M5	F 960 903 NU	2 pcs				
12	Sensor complete	A 861 703 NU	1 Set				
13	Temp. handle cpl.	A 860 907 AA	1 Set				
14	Escutcheon holder cpl.	F 961 054 NU	1 pcs				

**Universal set (not all parts needed)*

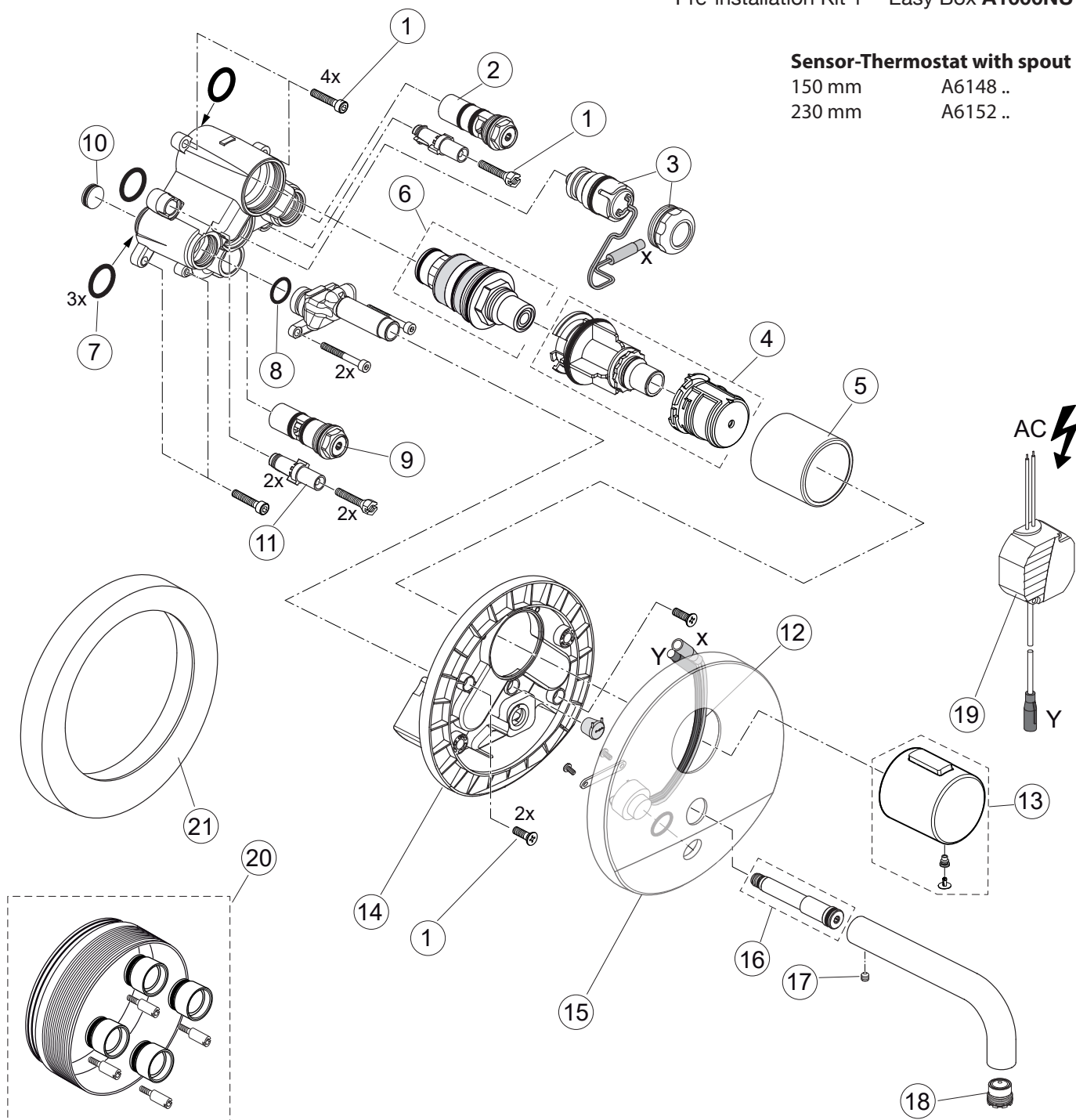


Produced from: April 2021 - Sep 2023

Pre-installation Kit 1 - Easy Box A1000NU

Sensor-Thermostat with spout

150 mm A6148 ..
230 mm A6152 ..



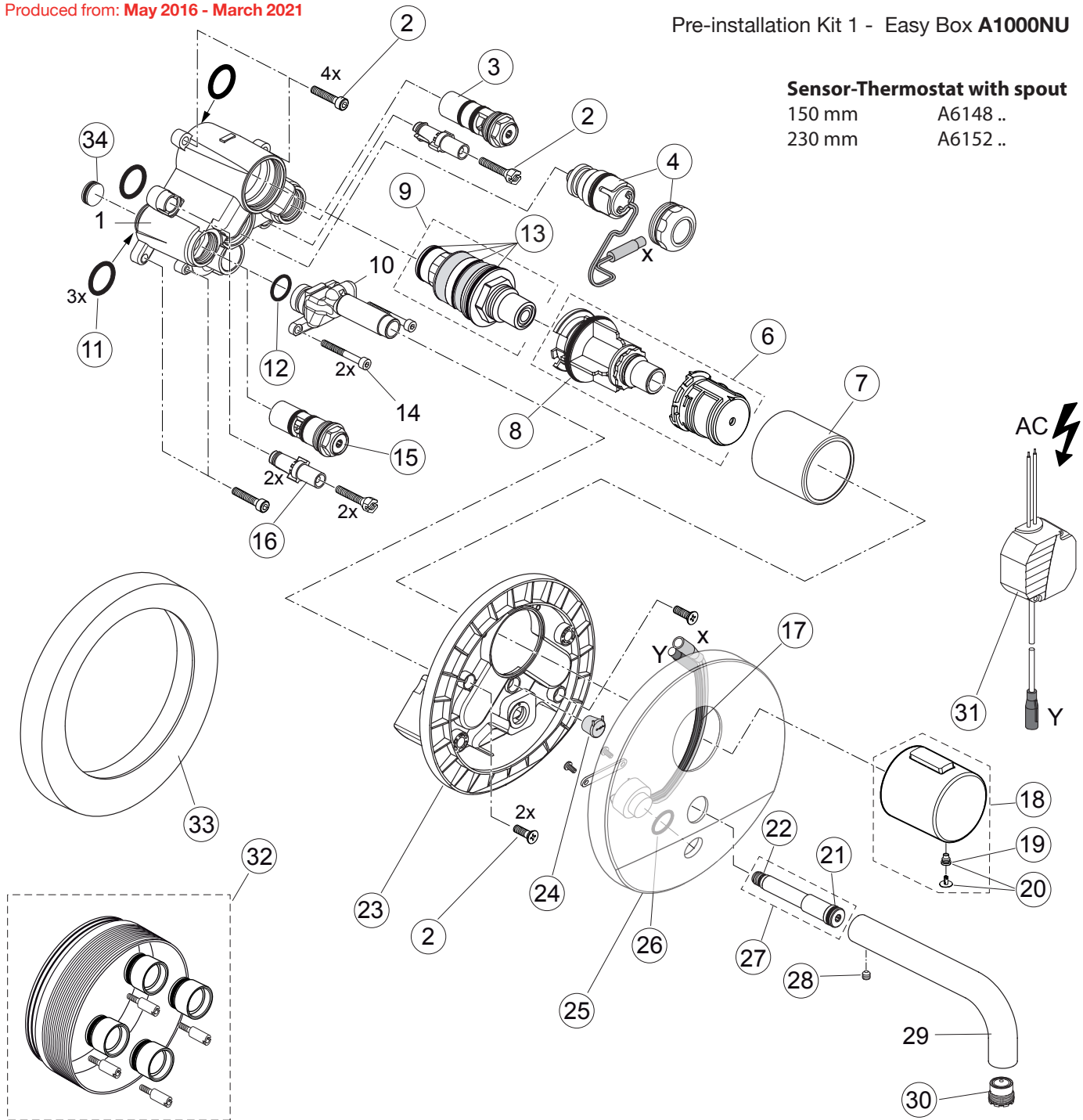
Pos.	Description	Part-Number	Qty.	Pos.	Description	Part-Number	Qty.
1	Screw set complete	A 960 890 NU	1 Set	15	Escutcheon	F 961 075 AA	1 pcs
2	Stop valve (cold)	F 961 049 NU	1 pcs	16	Spout conector cpl.	F 961 055 NU	1 pcs
3	Solenoidvalve 6V G1/2	F 961 050 NU	1 pcs	17	Thread pin M4x4 DIN916	A 962 270 NU	1 Set
4	Temp. adjustment	A 963 427 NU	1 Set	18	Areator 8 l with Key	F 961 056 NU	1 pcs
5	Cap	F 961 051 AA	1 pcs	19	AC-Adapter / 6,5V DC / 1A	F 961 024 NU	1 pcs
6	Cartridge thermostat G1/2	A 962 229 NU	1 pcs		Extension cable 2 m	A 960 635 NU	1 pcs
7	O-ring Ø 17,5 x 2,5	A 963 146 NU*	1 Set	20	Extension kit 20mm	A 960 704 NU	1 Set
8	O-ring Ø 14 x 1,78	A 962 605 NU	2 psc		Extension kit 40mm	A 962 476 NU	1 Set
9	Stop valve (hot)	F 961 052 NU	1 pcs	21	Distance frame	F 961 057 AA	1 pcs
10	Plug w. O-ring Ø 12 x 1,5	F 961 125 NU	1 pcs				
11	Adapter srew M5	F 960 903 NU	2 pcs				
12	Sensor complete	F 961 053 NU	1 Set				
13	Temp. handle cpl.	A 860 907 AA	1 Set				
14	Escutcheon holder cpl.	F 961 054 NU	1 pcs				

*Universal set (not all parts needed)

Produced from: **May 2016 - March 2021**

Pre-installation Kit 1 - Easy Box **A1000NU**

Sensor-Thermostat with spout
 150 mm A6148 ..
 230 mm A6152 ..

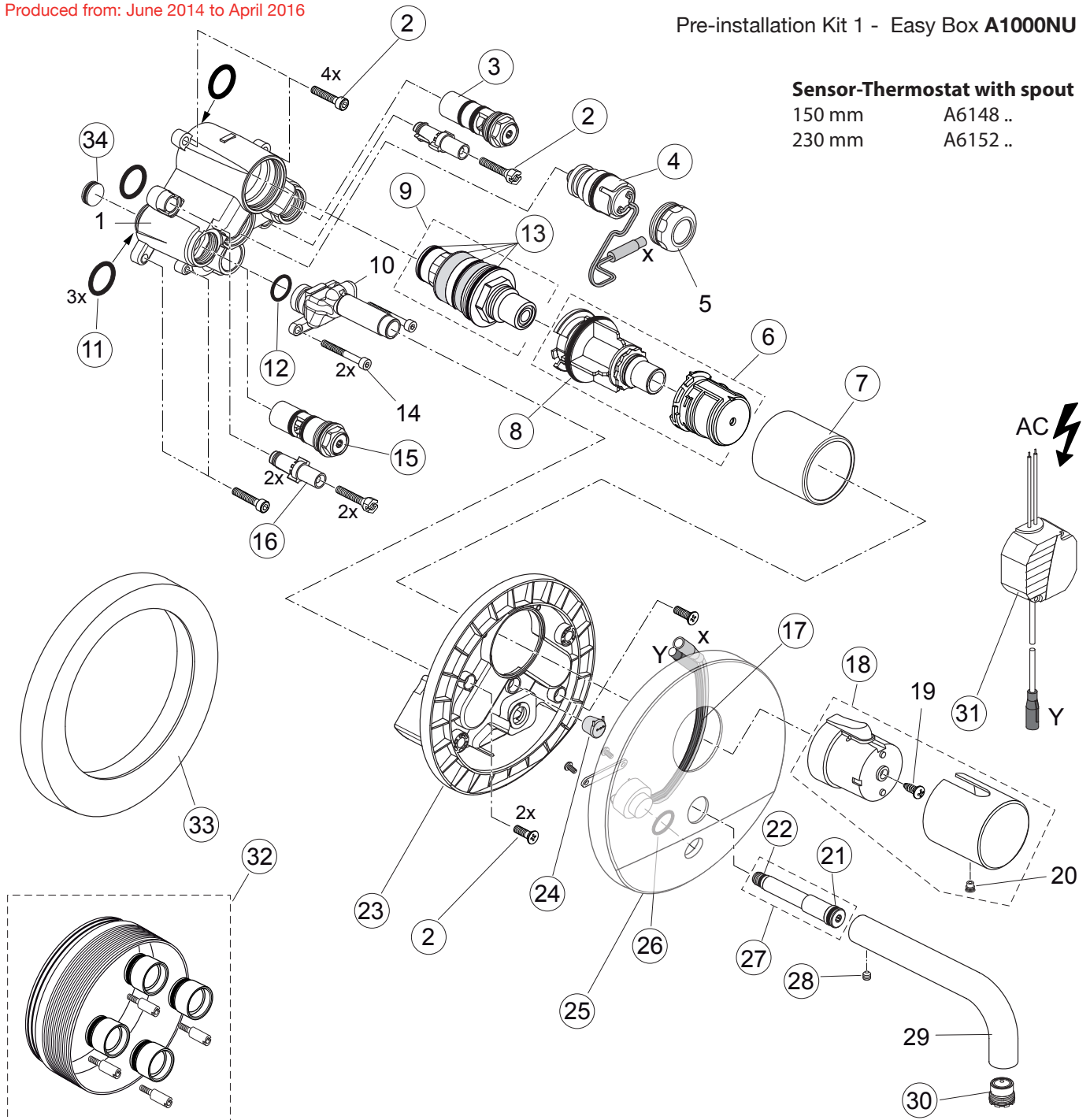


Pos.	Description	Part-Number	Qty.	Pos.	Description	Part-Number	Qty.
1	Body Thermostat			19	Spigot screw M5x5	A 961 095 NU	1 pcs
2	Screw set complete	A 960 890 NU	1 Set	20	Cap + Screw	A 962 149 AA	1 Set
3	Stop valve (cold)	F 961 049 NU	1 pcs	21	O-ring Ø 10 x 2,0	A 963 495 NU	1 pcs
4	Solenoidvalve 6V G1/2*	F 961 050 NU	1 pcs	22	O-ring Ø 7x 1,2	A 960 457 NU	1 pcs
	* special tool required	A 861 257 NU	1 pcs	23	Escutcheon holder cpl.	F 961 054 NU	1 pcs
6	Temp. adjustment	A 963 427 NU	1 Set	24	O - Ring Ø 15,6 x 1,78	A 961 182 NU	2 pcs
7	Cap	F 961 051 AA	1 pcs	25	Cable grommet	F 961 074 NU	2 pcs
8	O-ring Ø 37,77 x 2,62	A 962 574 NU	1 pcs	26	Escutcheon	F 961 075 AA	1 pcs
9	Cartridge thermostat G1/2	A 962 164 NU	1 pcs	27	Spout conector cpl.	F 961 055 NU	1 pcs
10	Body Spout			28	Thread pin M4x4 DIN916	A 962 270 NU	1 Set
11	O-ring Ø 17,5 x 2,5	A 963 143 NU	1 Set	29	Spout		
12	O-ring Ø 14 x 1,78	A 962 605 NU	2 psc	30	Aerator 8 l with Key	F 961 056 NU	1 pcs
13	Repair set	A 962 230 NU	1 Set	31	AC-Adapter / 6,5V DC / 1A	F 961 024 NU	1 pcs
14	Screw M4 x 35				Extension cable 2 m	A 960 635 NU	1 pcs
15	Stop valve (hot)	F 961 052 NU	1 pcs	32	Extension kit 20mm	A 960 704 NU	1 Set
16	Adapter screw M5	F 960 903 NU	2 pcs		Extension kit 40mm	A 962 476 NU	1 Set
17	Sensor complete + Pos.26	F 961 053 NU	1 Set	33	Distance frame	F 961 057 AA	1 pcs
18	Temp. handle cpl.	A 860 907 AA	1 Set	34	Plug w. O-ring Ø 12 x 1,5	F 961 125 NU	1 pcs

Produced from: June 2014 to April 2016

Pre-installation Kit 1 - Easy Box A1000NU

Sensor-Thermostat with spout
 150 mm A6148 ..
 230 mm A6152 ..



Pos.	Description	Part-Number	Qty.	Pos.	Description	Part-Number	Qty.
1	Body Thermostat			19	Ejot-PT Screw KB50x10		
2	Screw set complete	A 960 890 NU	1 Set	20	Thread pin M5x5 DIN916		
3	Stop valve (cold)	F 961 049 NU	1 pcs	21	O-ring Ø 10 x 2,0	A 963 495 NU	1 pcs
4	Solenoidvalve 6V G1/2	F 961 050 NU	1 pcs	22	O-ring Ø 7x 1,2	A 960 457 NU	1 pcs
5	Cap nut			23	Escutcheon holder cpl.	F 961 054 NU	1 pcs
6	Temp. adjustment	A 963 427 NU	1 Set	24	O - Ring Ø 15,6 x 1,78	A 961 182 NU	2 pcs
7	Cap	F 961 051 AA	1 pcs	25	Cable grommet	F 961 074 NU	2 pcs
8	O-ring Ø 37,77 x 2,62	A 962 574 NU	1 pcs	26	Escutcheon	F 961 075 AA	1 pcs
9	Cartridge thermostat G1/2	A 962 164 NU	1 pcs	27	Spout conector cpl.	F 961 055 NU	1 pcs
10	Body Spout			28	Thread pin M4x4 DIN916	A 962 270 NU	1 Set
11	O-ring Ø 17,5 x 2,5	A 963 143 NU	1 Set	29	Spout		
12	O-ring Ø 14 x 1,78	A 962 605 NU	2 psc	30	Aerator 8 l with Key	F 961 056 NU	1 pcs
13	Repair set	A 962 230 NU	1 Set	31	AC-Adapter / 6,5V DC / 1A	F 961 024 NU	1 pcs
14	Screw M4 x 35				Extension cable 2 m	A 960 635 NU	1 pcs
15	Stop valve (hot)	F 961 052 NU	1 pcs	32	Extension kit 20mm	A 960 704 NU	1 Set
16	Adapter srew M5	F 960 903 NU	2 pcs		Extension kit 40mm	A 962 476 NU	1 Set
17	Sensor complete + Pos.26	F 961 053 NU	1 Set	33	Distance frame	F 961 057 AA	1 pcs
18	Temp. handle cpl.	A 962 389 AA	1 Set	34	Plug w. O-ring Ø 12 x 1,5	F 961 125 NU	1 pcs