



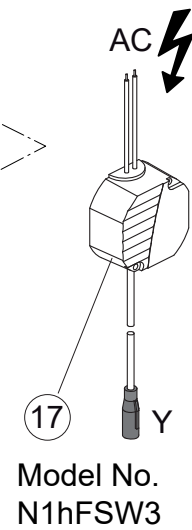
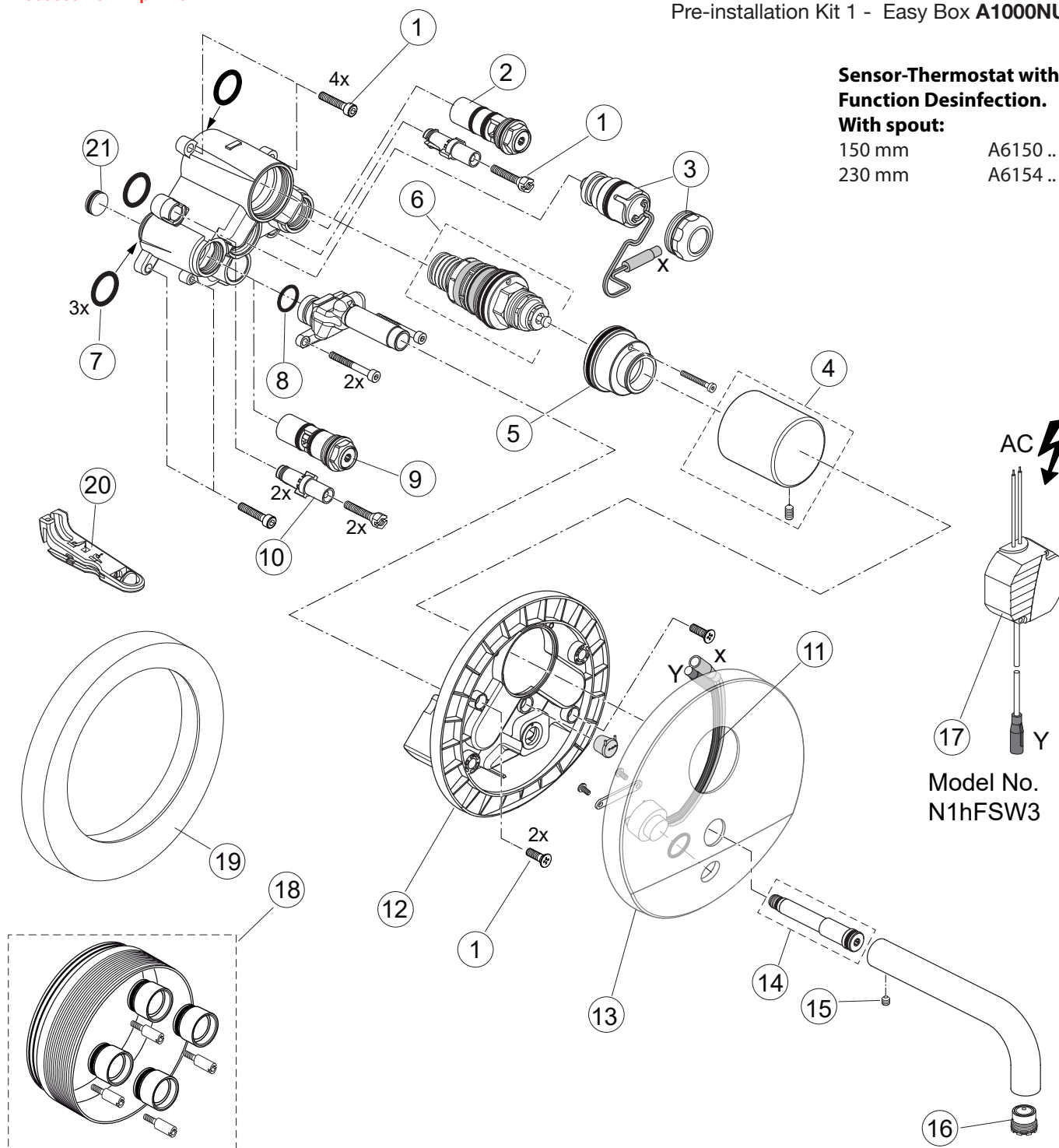
Produced from: April 2021

Pre-installation Kit 1 - Easy Box A1000NU

Sensor-Thermostat with Function Desinfection.

With spout:

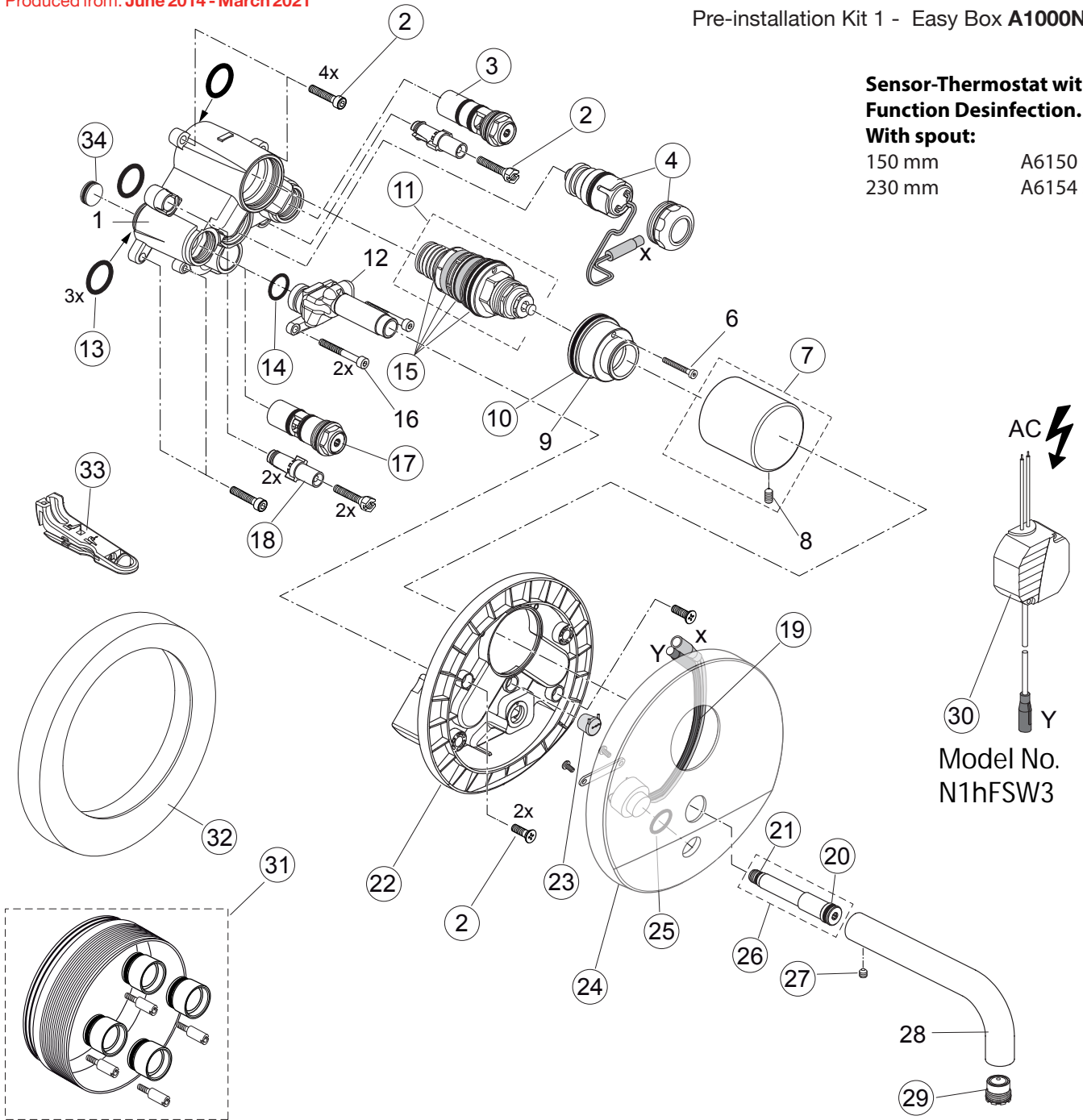
150 mm	A6150 ..
230 mm	A6154 ..



Pos.	Description	Part-Number	Qty.	Pos.	Description	Part-Number	Qty.
1	Screw set complete	A 960 890 NU	1 Set	15	Thread pin M4x4 DIN916	A 962 270 NU	1 Set
2	Stop valve (cold)	F 961 049 NU	1 pcs	16	Aerator 8 l with Key	F 961 056 NU	1 pcs
3	Solenoidvalve 6V G1/2*	F 961 050 NU	1 pcs	17	AC-Adapter / 6,5V DC / 1A	F 961 024 NU	1 pcs
4	Cover cpl.	F 961 068 AA	1 Set		Extension cable 2 m	A 960 635 NU	1 pcs
5	O-ring Ø 37,82 x 1,78	N 041 731 Nu	5 pcs	18	Extension kit 20mm	A 960 704 NU	1 Set
6	Cart. therm. desinf. + Pos 20	F 961 069 NU	1 Set		Extension kit 40mm	A 962 476 NU	1 Set
7	O-ring Ø 17,5 x 2,5	A 963 146 NU	1 Set	19	Distance frame	F 961 057 AA	1 pcs
8	O-ring Ø 14 x 1,78	A 962 605 NU	2 psc	20	Handle lever f. Desinf. (included in Pos 6)	F 961 070 NU	1 pcs
9	Stop valve (hot)	F 961 052 NU	1 pcs	21	Plug w. O-ring Ø 12 x 1,5	F 961 125 NU	1 pcs
10	Adapter srew M5	F 960 903 NU	2 pcs				
11	Sensor complete + Pos.25	F 961 053 NU	1 Set				
12	Escutcheon holder cpl.	F 961 054 NU	1 pcs				
13	Escutcheon	F 961 075 AA	1 pcs				
14	Spout connector cpl.	F 961 055 NU	1 pcs				

Sensor-Thermostat with Function Desinfection. With spout:

150 mm A6150 ..
230 mm A6154 ..



Pos.	Description	Part-Number	Qty.	Pos.	Description	Part-Number	Qty.
1	Body Thermostat			20	O-ring Ø 10 x 2,0	A 963 495 NU	1 pcs
2	Screw set complete	A 960 890 NU	1 Set	21	O-ring Ø 7x 1,2	A 960 457 NU	1 pcs
3	Stop valve (cold)	F 961 049 NU	1 pcs	22	Escutcheon holder cpl.	F 961 054 NU	1 pcs
4	Solenoidvalve 6V G1/2* * special tool required	F 961 050 NU A 861 257 NU	1 pcs 1 pcs	23	Cable grommet	F 961 074 NU	2 pcs
6	Screw M43x 25 Din 7984			24	Escutcheon	F 961 075 AA	1 pcs
7	Cover cpl.	F 961 068 AA	1 Set	25	O - Ring Ø 15,6 x 1,78	A 961 182 NU	2 pcs
8	Thread pin M4x8 DIN914			26	Spout conector cpl.	F 961 055 NU	1 pcs
9	Adapter			27	Thread pin M4x4 DIN916	A 962 270 NU	1 Set
10	O-ring Ø 37,82 x 1,78	N 041 731 Nu	5 pcs	28	Spout		
11	Cart. therm. desinf. + Pos 33	F 961 069 NU	1 Set	29	Areator 8 l with Key	F 961 056 NU	1 pcs
12	Body Spout			30	AC-Adapter / 6,5V DC / 1A	F 961 024 NU	1 pcs
13	O-ring Ø 17,5 x 2,5	A 963 143 NU	1 Set		Extension cable 2 m	A 960 635 NU	1 pcs
14	O-ring Ø 14 x 1,78	A 962 605 NU	2 psc	31	Extension kit 20mm	A 960 704 NU	1 Set
15	Repair set	A 962 230 NU	1 Set		Extension kit 40mm	A 962 476 NU	1 Set
16	Screw M4 x 35			32	Distance frame	F 961 057 AA	1 pcs
17	Stop valve (hot)	F 961 052 NU	1 pcs	33	Handle lever f. Desinf.	F 961 070 NU	1 pcs
18	Adapter srew M5	F 960 903 NU	2 pcs		(included in Pos 11)		
19	Sensor complete + Pos.25	F 961 053 NU	1 Set	34	Plug w. O-ring Ø 12 x 1,5	F 961 125 NU	1 pcs