

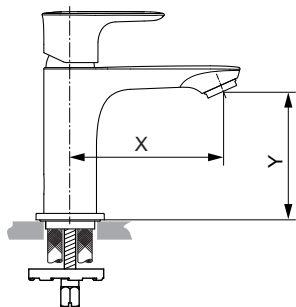


Connect Air

A7022.. A7054..

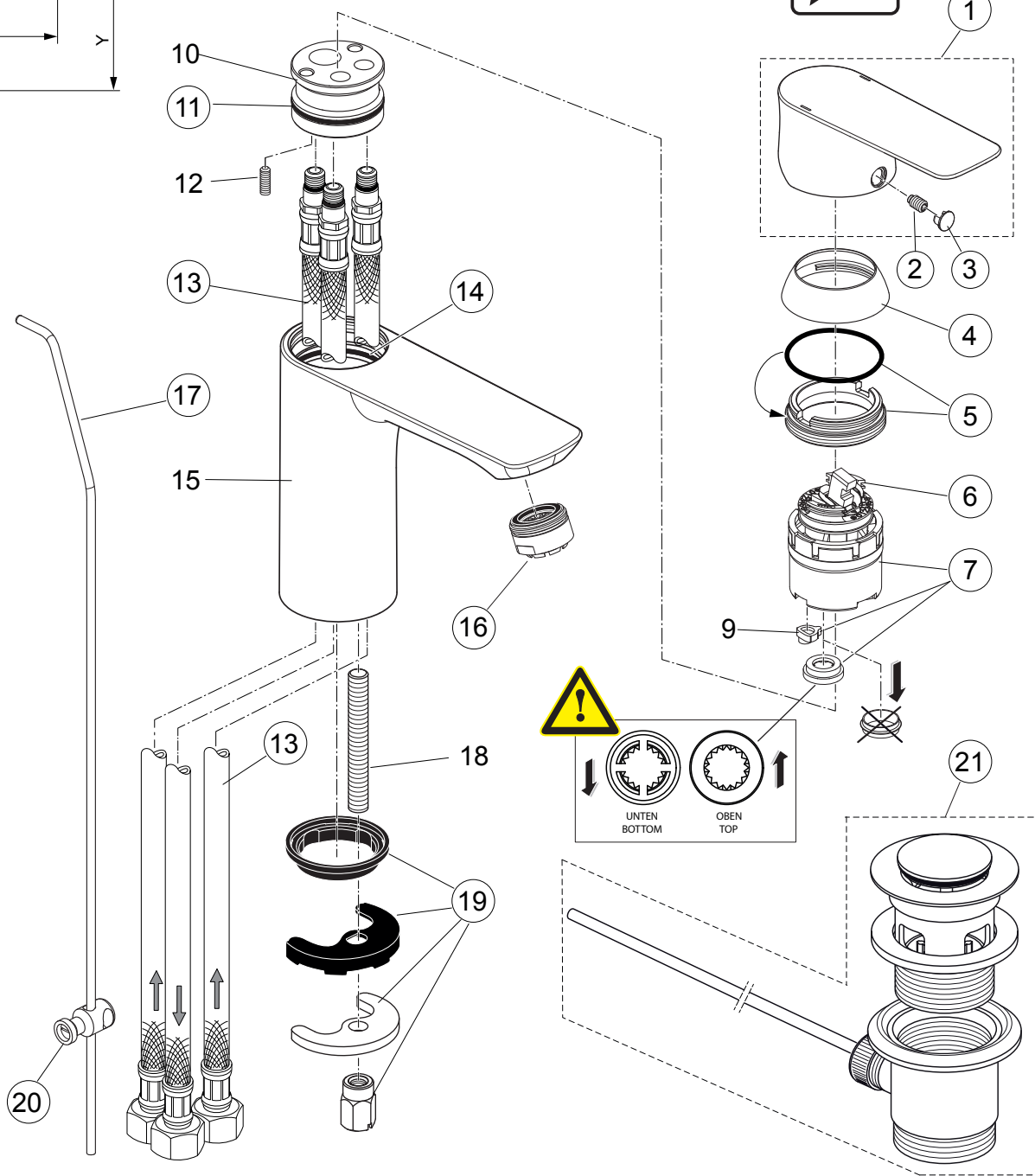
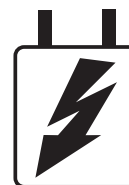
Ideal Standard

Produced since: **Nov. 2019**



SL basin mixer ND for low pressure water heater
X = 112mm Y = 100 mm
with pop-up waste
chrome **A7022AA**

SL basin mixer ND for low pressure water heater
X = 125mm Y = 120 mm
with pop-up waste
chrome **A7054AA**



Replace **XX** with the appropriate finish code

Chrome = AA Silver Storm = GN Gold = A2 Magnetic Grey = A5

Example spare part order:

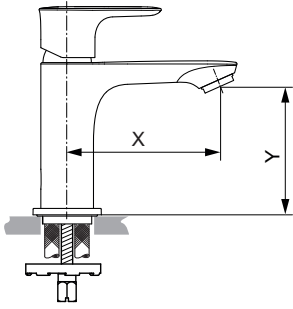
A 861 405 AA in Chrome

Pos.	Description	Part-Number	Qty.	Pos.	Description	Part-Number	Qty.
1	Lever cpl. w. Logo ISI	A 861 405 XX	1 Set	13	Flex. hose M8x1-G3/8-500	A 962 005 NU	1 pcs
2	Thread pin M5x8 DIN914	A 963 309 NU	1 pcs	14	O - Ring Ø 38 x 2,5	E 960 059 NU*	1 Set
3	Handle plug	A 861 406 NU*	1 Set	15	Body		
4	Cover cap	B 961 373 XX	1 pcs	16	Flow regulator M24X1	A 960 935 XX	1 pcs
5	Thread ring + O-Ring + Key	B 961 374 NU	1 pcs	17	Lift rod cpl. + Pos. 20	B 960 900 XX	1 Set
6	Hot limit stop	A 861 181 NU	1 pcs	18	Bolt M8x63		
7	Cartridge Ø38 + Pos.14 + Key	A 861 156 NU*	1 Set	19	Fixation kit	A 964 520 NU*	1 Set
9	Pin (contained in Pos. 7)			20	Bracket	A 961 172 NU	1 pcs
10	Manifold			21	Pop-up waste complete	A 961 230 XX	1 Set
11	O - Ring Ø 34 x 2	A 960 183 NU	2 pcs				
12	Srew pin M4 x 12 ISI 4026						

*Universal set (not all parts needed)

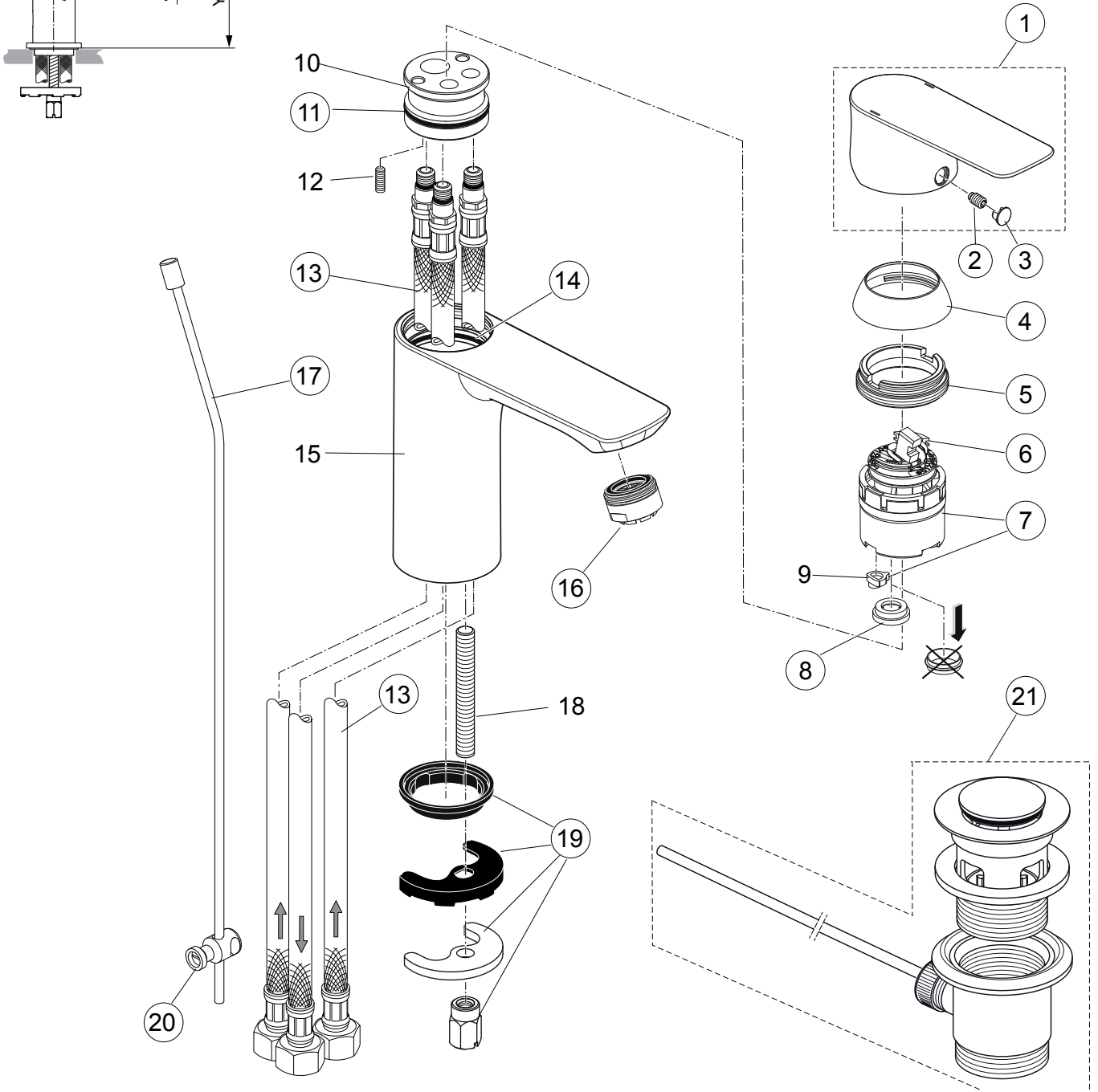
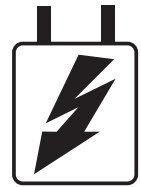
Connect Air

Produced since: **Aug.2017 - Oct.2019**



SL basin mixer ND for low pressure water heater
X = 112mm Y = 100 mm
with pop-up waste
chrome **A7022AA**

SL basin mixer ND for low pressure water heater
X = 125mm Y = 120 mm
with pop-up waste
chrome **A7054AA**



Pos.	Description	Part-Number	Qty.	Pos.	Description	Part-Number	Qty.
1	Lever cpl. w. Logo ISI	A 861 230 AA	1 Set	12	Srew pin M4 x 12 ISI 4026		
2	Thread pin M5x8 DIN914	A 963 309 NU	1 pcs	13	Flex. hose M8x1-G3/8-500	A 962 005 NU	1 pcs
3	Handle plug	B 960 473 AA	1 pcs	14	O - Ring Ø 38 x 2,5	E 960 059 NU*	1 Set
4	Cover cap	B 961 373 AA	1 pcs	15	Body		
5	Thread ring M36x1 + Key	B 961 374 NU	1 pcs	16	Flow regulator M24X1	A 960 935 AA	1 pcs
6	Hot limit stop	A 861 181 NU	1 pcs	17	Lift rod cpl. + Pos. 20	A 861 210 AA	1 Set
7	Cartridge Ø38 + Pos.14 + Key	A 861 156 NU*	1 Set	18	Bolt M8x63		
8	Flow limiter 6 ltr./min	A 962 634 NU	1 pcs	19	Fixation kit	A 964 520 NU*	1 Set
9	Pin (contained in Pos. 7)			20	Bracket	A 961 172 NU	1 pcs
10	Manifold			21	Pop-up waste complete	B 960 853 AA	1 Set
11	O - Ring Ø 34 x 2	A 960 183 NU	2 pcs				

*Universal set (not all parts needed)