

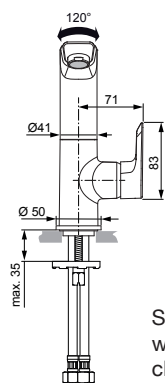
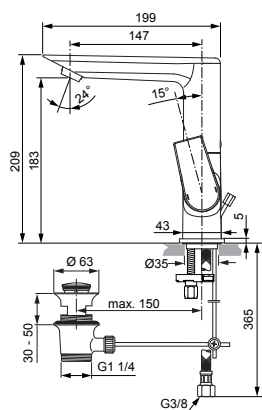
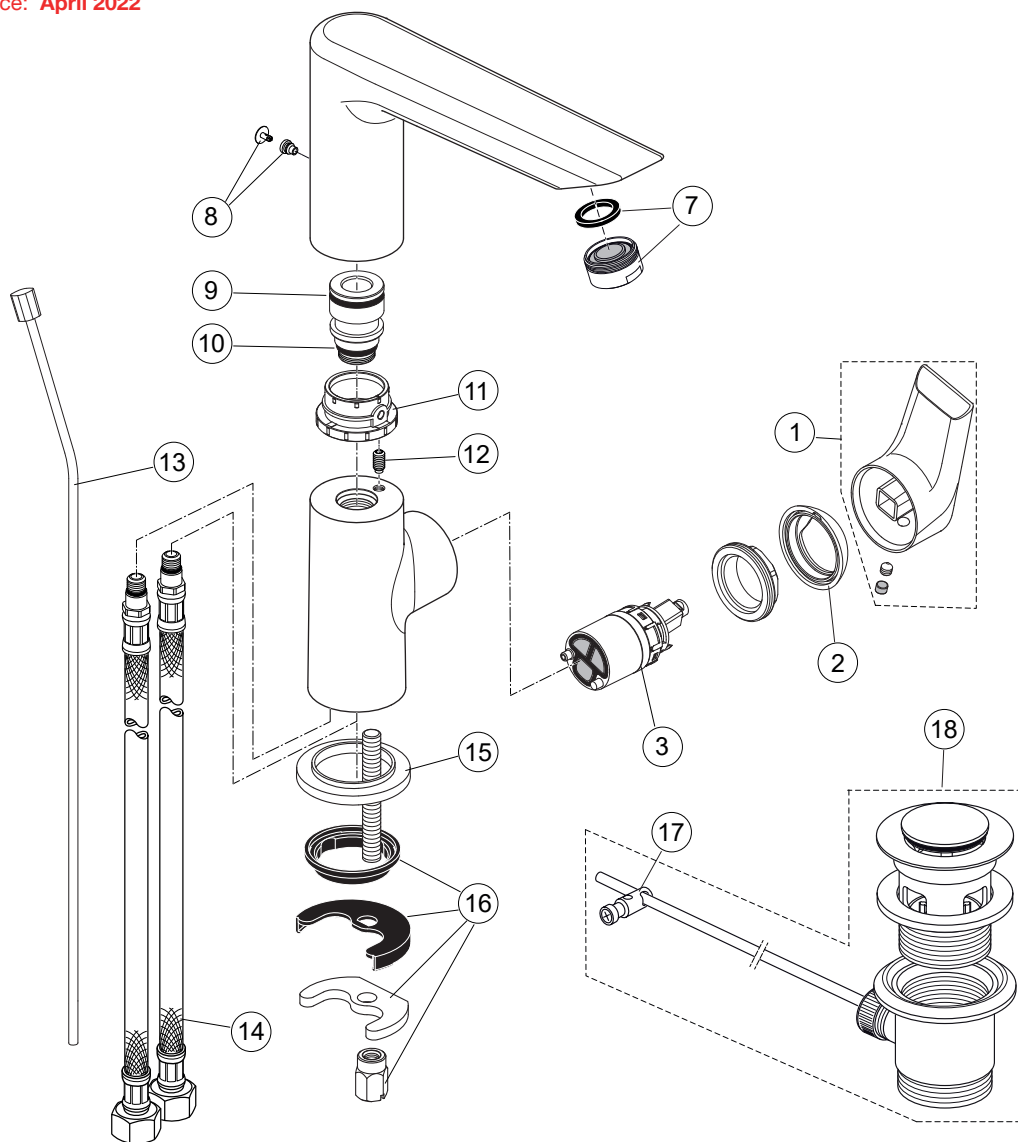


# Tesi

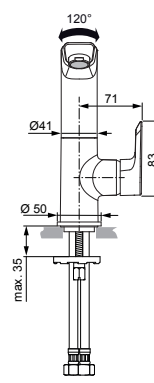
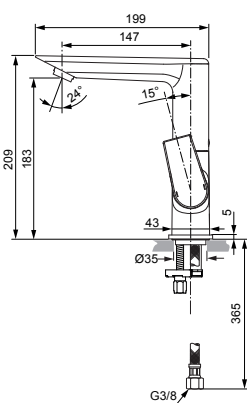
## A6754.. A6755..

Ideal Standard

Produced since: April 2022



SL basin mixer flex. hose without pop-up waste chrome **A6755AA**



SL basin mixer flex. hose with pop-up waste chrome **A6754AA**

Pos.	Description	Part-Number	Qty.	Pos.	Description	Part-Number	Qty.
1	Lever cpl. with Logo	<b>A 861 129 AA</b>	1 Set	14	Flex. hose M8x1-G3/8-420	<b>A 962 370 NU</b>	1 pcs
2	Cover cap	<b>F 960 975 AA</b>	1 pcs	15	Escutcheon	<b>B 960 712 AA</b>	1 pcs
3	Cartridge Ø28	<b>A 861 396 NU</b>	1 pcs	16	Fixation kit	<b>A 964 520 NU*</b>	1 Set
7	Aerator M24x1 - 5ltr/min	<b>B 960 754 AA</b>	1 pcs	17	Bracket	<b>A 961 172 NU</b>	1 pcs
8	Cap with screw	<b>A 962 149 AA*</b>	1 Set	18	Pop-up waste complete	<b>A 961 230 AA</b>	1 Set
9	O-ring Ø 19 x 2,5	<b>A 860 188 NU*</b>	1 Set	*Universal set (not all parts needed)			
10	O-ring Ø 13 x 2,5	<b>A 962 728 NU</b>	1 pcs				
11	Slide bush	<b>A 861 103 NU</b>	1 pcs				
12	Thread pin M5x10 Din915	<b>A 861 141 NU</b>	1 pcs				
13	Lift rod cpl. + Pos. 17	<b>B 961 119 AA</b>	1 Set				

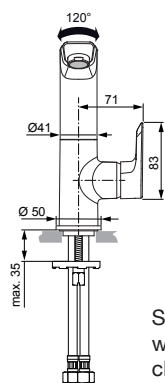
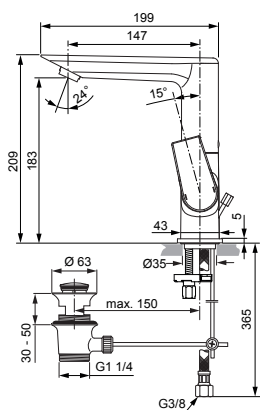
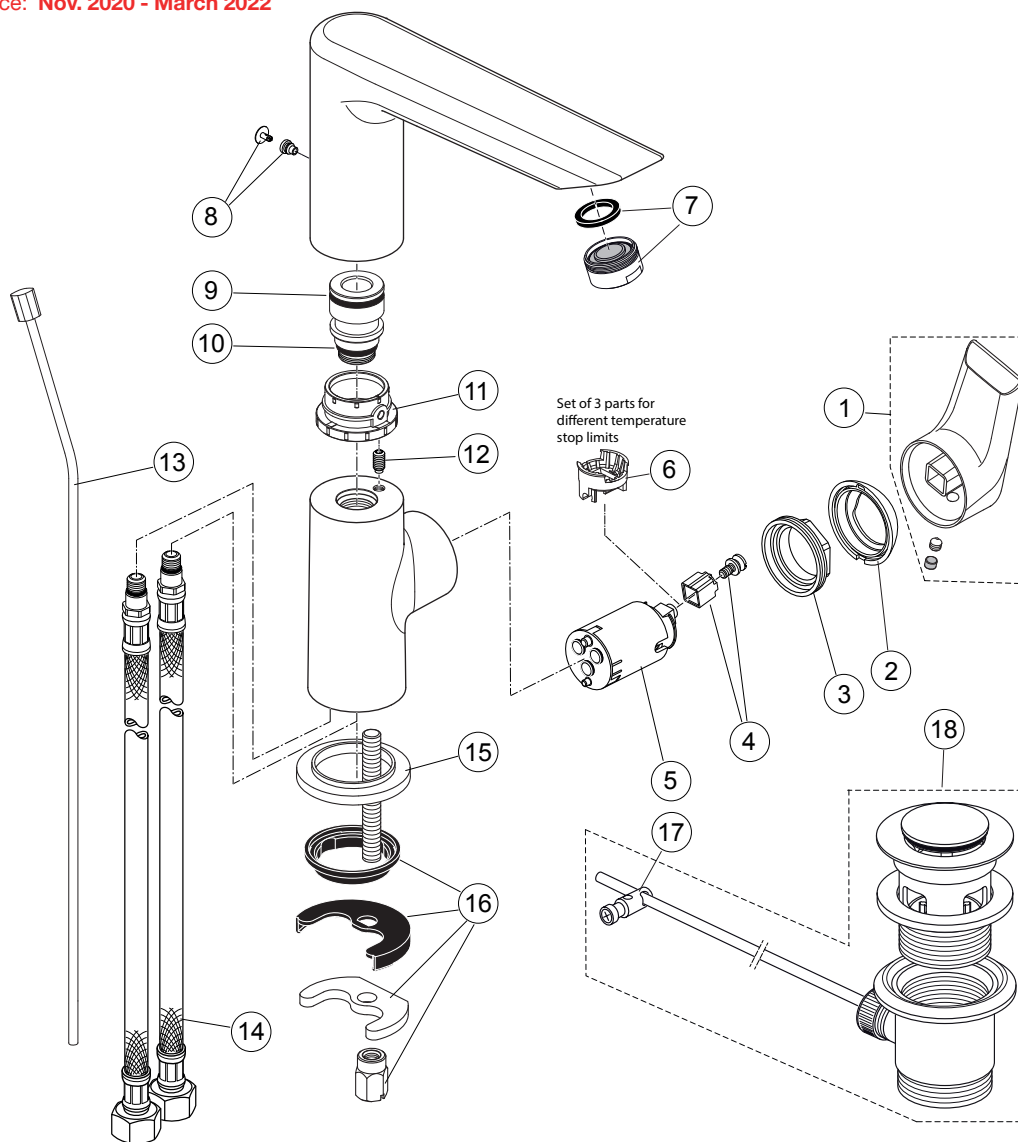


# Tesi

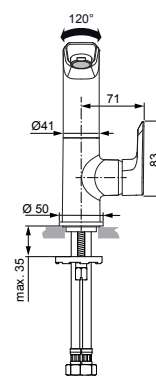
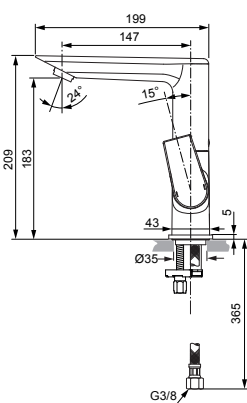
## A6754.. A6755..

Ideal Standard

Produced since: Nov. 2020 - March 2022



SL basin mixer flex. hose without pop-up waste chrome **A6755AA**

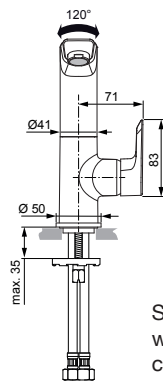
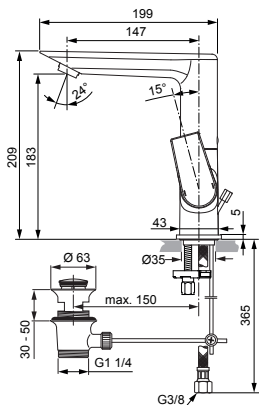
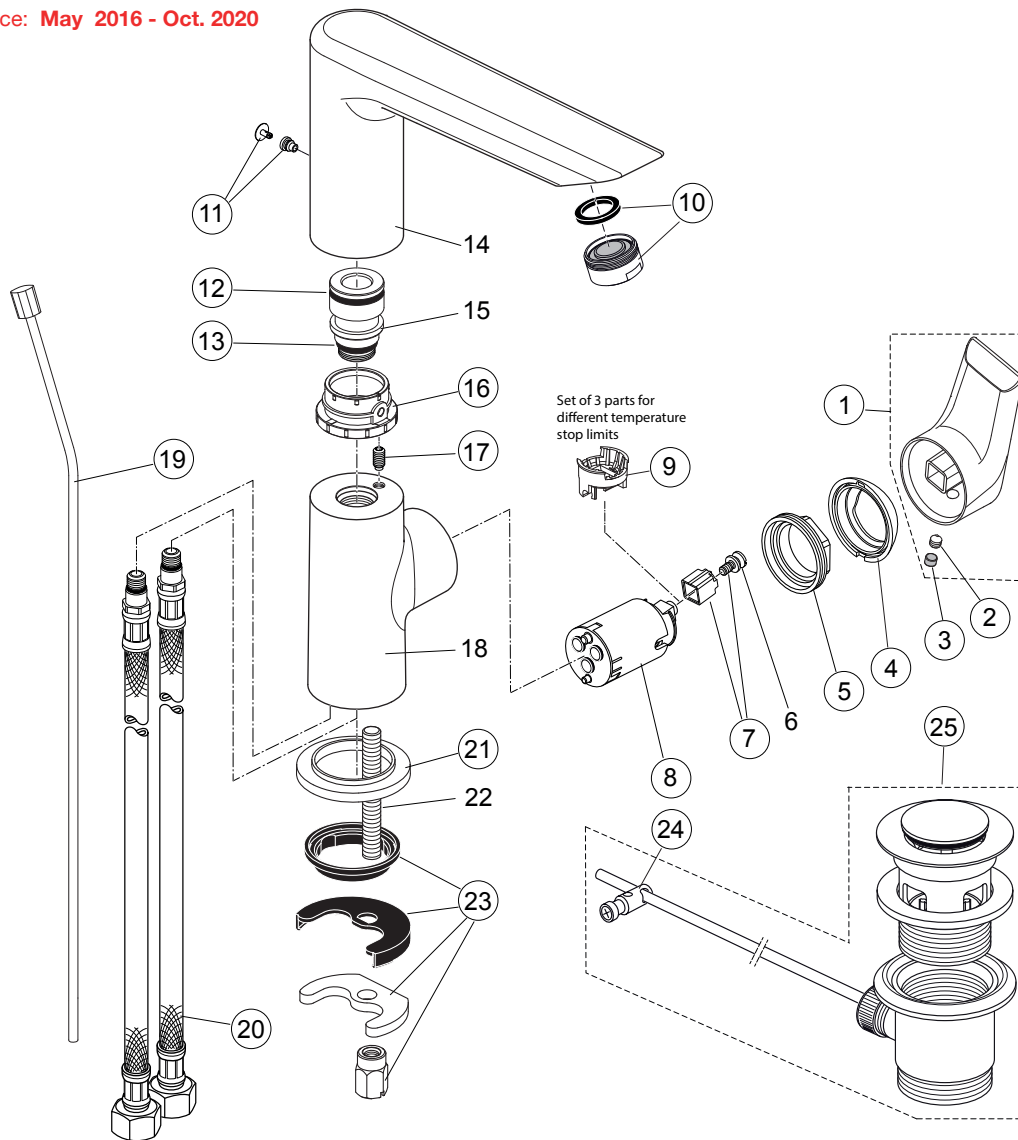


SL basin mixer flex. hose with pop-up waste chrome **A6754AA**

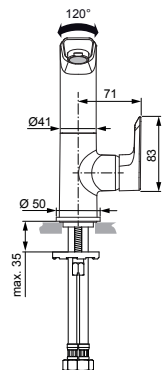
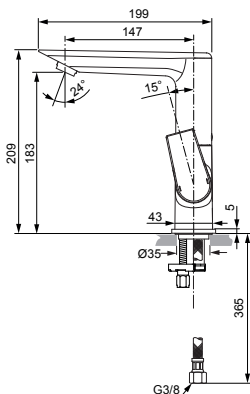
Pos.	Description	Part-Number	Qty.	Pos.	Description	Part-Number	Qty.
1	Lever cpl. with Logo ISI	<b>A 861 129 AA</b>	1 Set	11	Slide bush	<b>A 861 103 NU</b>	1 pcs
2	Cover cap	<b>A 861 080 AA</b>	1 pcs	12	Thread pin M5x10 Din915	<b>A 861 141 NU</b>	1 Set
3	Clamping nut M36 x 1	<b>B 961 087 NU</b>	1 pcs	13	Lift rod cpl. + Pos. 17	<b>B 961 119 AA</b>	1 Set
4	Handle insert + screw	<b>B 961 086 NU</b>	1 Set	14	Flex. hose M8x1-G3/8-420	<b>A 962 370 NU</b>	1 pcs
5	Cartridge Kerox Ø28 + Pos 4	<b>F 960 855 NU</b>	1 Set	15	Escutcheon	<b>B 960 712 AA</b>	1 pcs
6	Hot water limiter - 3 parts	<b>B 961 088 NU</b>	1 Set	16	Fixation kit	<b>A 964 520 NU*</b>	1 Set
7	Aerator M24x1 - 5ltr/min	<b>B 960 754 AA</b>	1 pcs	17	Bracket	<b>A 961 172 NU</b>	1 pcs
8	Cap with screw	<b>A 962 149 AA*</b>	1 Set	18	Pop-up waste complete	<b>A 961 230 AA</b>	1 Set
9	O-ring Ø 19 x 2,5	<b>A 860 188 NU*</b>	1 Set				
10	O-ring Ø 13 x 2,5	<b>A 962 728 NU</b>	1 pcs				

\*Universal set (not all parts needed)

Produced since: **May 2016 - Oct. 2020**



SL basin mixer flex. hose without pop-up waste chrome **A6755AA**



SL basin mixer flex. hose with pop-up waste chrome **A6754AA**

Pos.	Description	Part-Number	Qty.	Pos.	Description	Part-Number	Qty.
1	Lever cpl. with Logo ISI	<b>A 861 129 AA</b>	1 Set	14	Spout		
2	Thread pin M5x6 DIN914	<b>A 860 603 NU</b>	1 pcs	15	Nipple for spout		
3	Handle cap	<b>A 963 751 NU</b>	1 pcs	16	Slide bush	<b>A 861 103 NU</b>	1 pcs
4	Cover cap	<b>A 861 080 AA</b>	1 pcs	17	Thread pin M5x10 Din915	<b>A 861 141 NU</b>	1 pcs
5	Clamping nut M36 x 1	<b>B 961 087 NU</b>	1 pcs	18	Body		
6	Handle screw M4			19	Lift rod cpl. + Pos. 24	<b>B 961 119 AA</b>	1 Set
7	Handle insert + screw	<b>B 961 086 NU</b>	1 Set	20	Flex. hose M8x1-G3/8-420	<b>A 962 370 NU</b>	1 pcs
8	Cartridge Kerox Ø28 + Pos 6	<b>F 960 855 NU</b>	1 Set	21	Escutcheon	<b>B 960 712 AA</b>	1 pcs
9	Hot water limiter - 3 parts	<b>B 961 088 NU</b>	1 Set	22	Bolt M8x92		
10	Aerator M24x1 - 5ltr/min	<b>B 960 754 AA</b>	1 pcs	23	Fixation kit	<b>A 964 520 NU*</b>	1 Set
11	Cap with screw	<b>A 962 149 AA*</b>	1 Set	24	Bracket	<b>A 961 172 NU</b>	1 pcs
12	O-ring Ø 19 x 2,5	<b>A 860 188 NU*</b>	1 Set	25	Pop-up waste complete	<b>A 961 230 AA</b>	1 Set
13	O-ring Ø 13 x 2,5	<b>A 962 728 NU</b>	1 pcs				

\*Universal set (not all parts needed)