

SET LAUFEN PRO A

Countertop basin

81395.6



TECHNICAL DATA

Order no.	81395.6
Certified to	EN 31
Dimensions	850 x 480 mm
Inside dimensions of the basin	570 x 310 mm
Specification	Charge 104 – 1 centre tap hole
Weight	23,5 kg
Accessories excl.	Siphon cover, order no. 81995.1 Pedestal, order no. 81995.0 Washbasin base, order no. 89095.6
Mounting acc. excl.	Mounting set M10 x 140 mm, order no. 89988.2
Colours	see colour table

SPECIFICATION TEXT

Countertop basin LAUFEN PRO A, sanitary ceramic
EN 31

dimensions 850 x 480 mm, angular

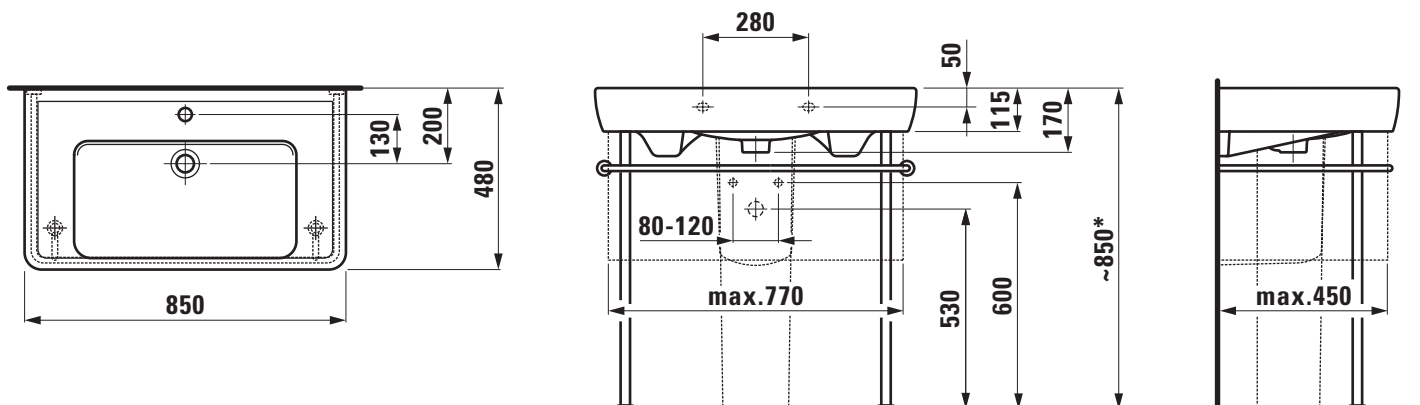
1 centre tap hole

Special feature: overflow channel glazed

Further options / accessories: Surface refinement LCC (only white),
siphon cover, pedestal, washbasin base, bathtubs, furniture

Order no. 81395.6

TECHNICAL DRAWINGS / S 1 : 20



* = Effective height must be fixed according to the height of the pedestal.